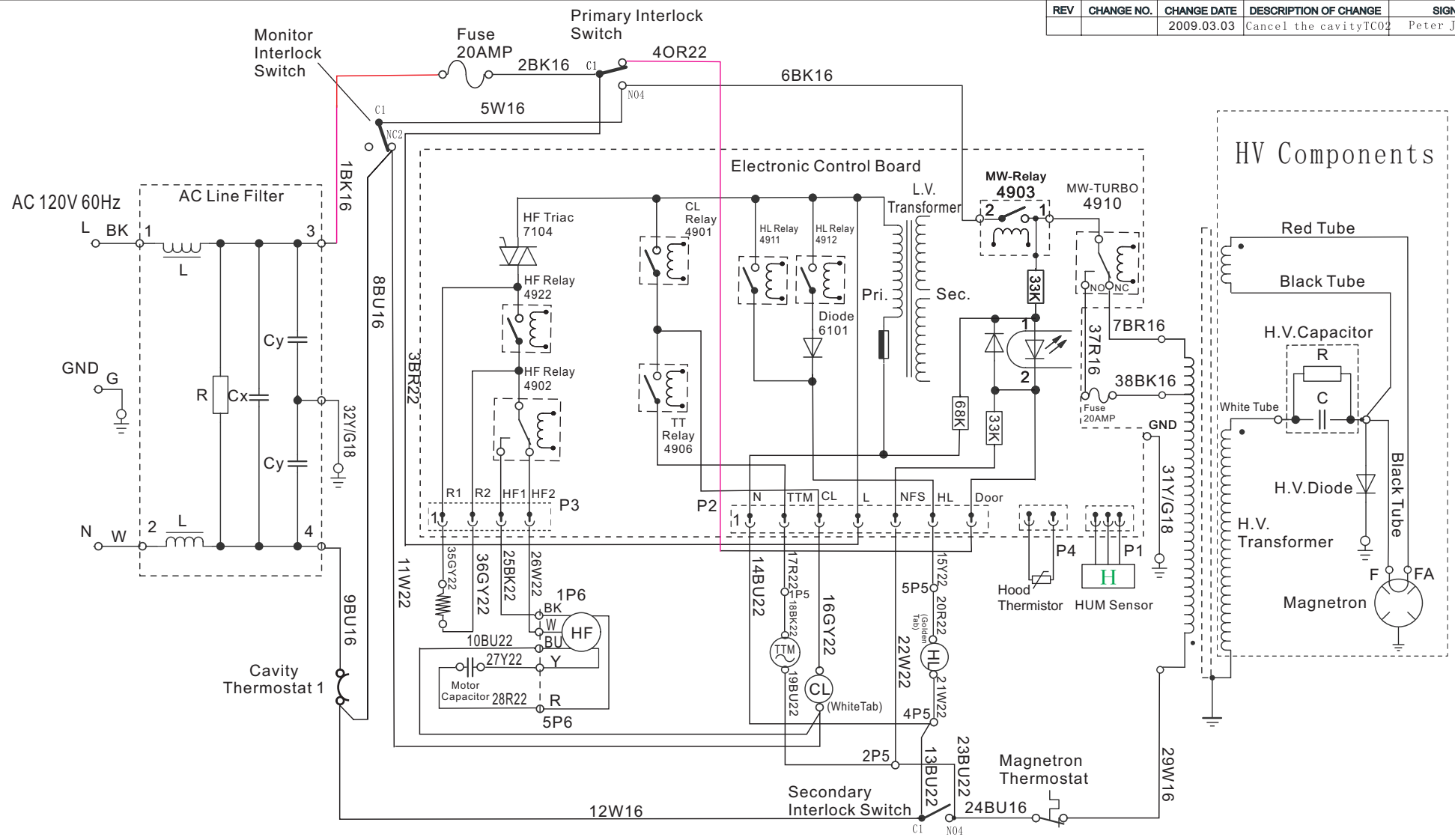


REV	CHANGE NO.	CHANGE DATE	DESCRIPTION OF CHANGE	SIGN
		2009.03.03	Cancel the cavityTC02	Peter Ju



CONDITION: DOOR OPEN  
SYMBOL NOTES



P2/P3/P4/P5/P6/P7: CONNECTORS  
BK: BLACK W: WHITE BR: BROWN  
BU: BLUE G: GREEN OR: ORANGE  
R: RED Y: YELLOW GY: GRAY

1 Bk16 — WIRE SIZE - AWG16  
— WIRE COLOR - BLACK  
— WIRE NO. - 1

RELEASE FOR:

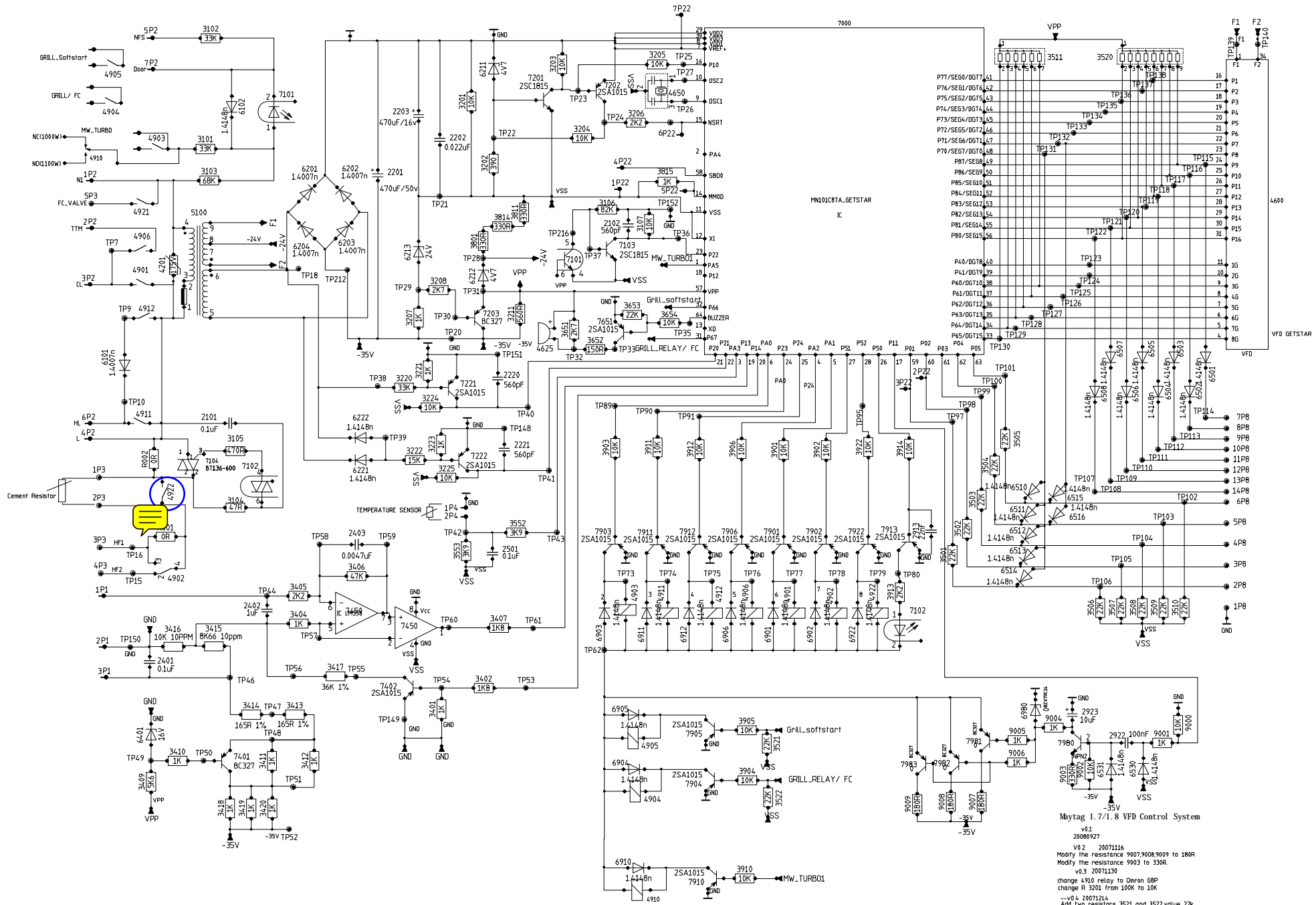
- QUOTATION
- TOOL MAKING
- PURCHASING
- MODIFICATION
- UPDATE DWG.
- REFERENCE
- PRODUCTION

APP. BY \_\_\_\_\_  
DATE \_\_\_\_\_



**Guangdong Whirlpool Electrical Appliances Co., Ltd.**

DESIGNER: Peter Ju	TITLE: SCHEMATIC DIAGRAM	
DATE: JAN.12, 2009	DWG. NO. MU-044	
FIRST USE MODEL NO: Getstar Solo 1100W	SCALE:	UNIT: A4
ASSEMBLE TO:	3rd PROJ	SHEET OF
GENERAL TOLERANCES:		



**Mytag 1.7/1.8 VFD Control System**  
 v01  
 20080927  
 v02 20071116  
 Modify the resistance 9007/9008/9009 to 180R  
 Modify the resistance 9003 to 330R.  
 v03 20071130  
 change 4910 relay to Omron 68P  
 change R 3201 from 100K to 10K  
 v04 20071214  
 Add two resistors 3521 and 3522, value 22k  
 change option diode ref