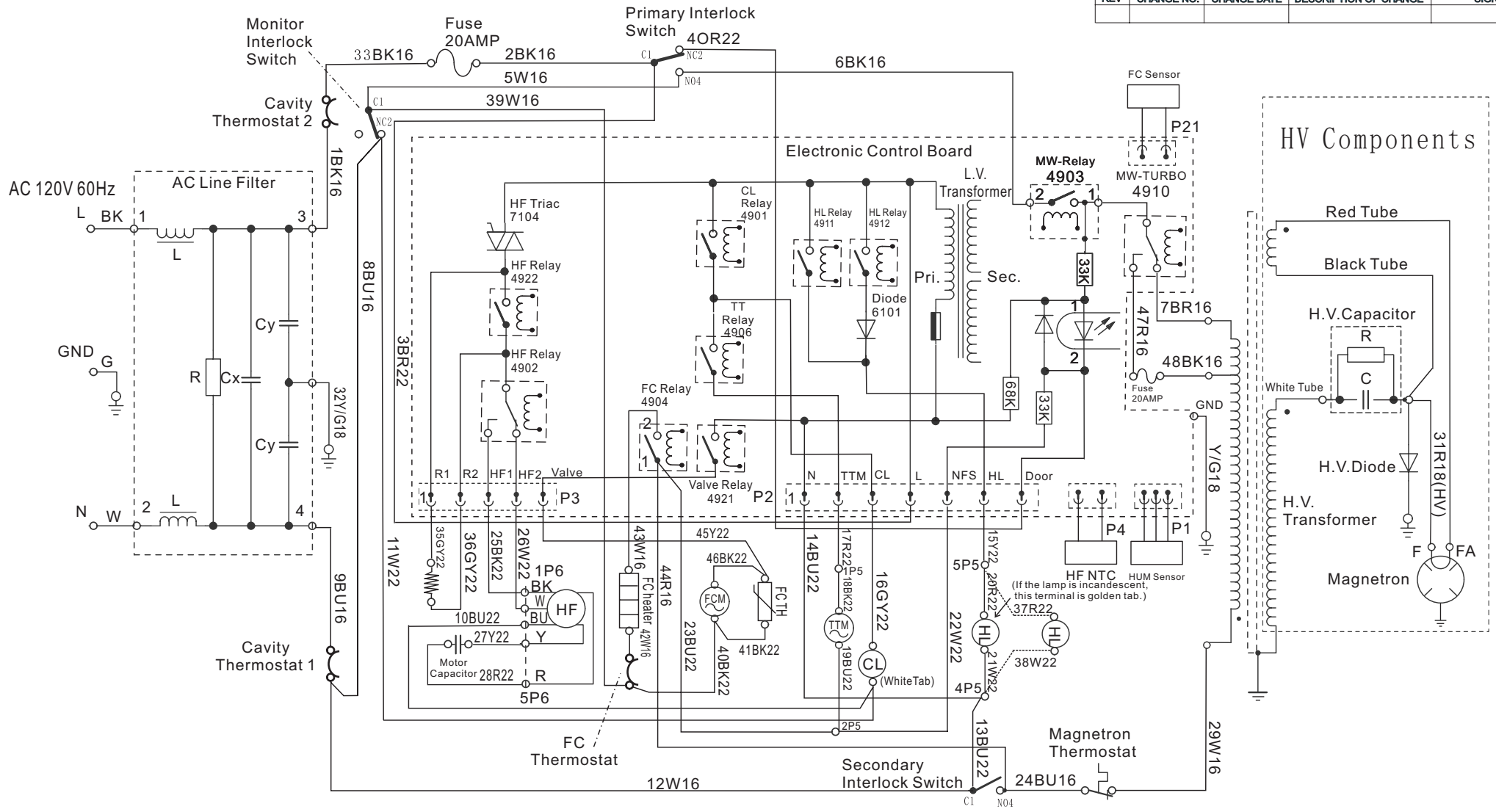


REV	CHANGE NO.	CHANGE DATE	DESCRIPTION OF CHANGE	SIGN



CONDITION: DOOR OPEN  
SYMBOL NOTES



P2/P3/P4/P5/P6/P7: CONNECTORS  
BK: BLACK W: WHITE BR: BROWN  
BU: BLUE G: GREEN OR: ORANGE  
R: RED Y: YELLOW GY: GRAY

1 Bk16 — WIRE SIZE - AWG16  
— WIRE COLOR - BLACK  
— WIRE NO. - 1

RELEASE FOR:

<input type="checkbox"/>	QUOTATION	REQ. QTY. _____	PCS
<input type="checkbox"/>	TOOL MAKING	REQ. QTY. _____	PCS
<input type="checkbox"/>	PURCHASING	REQ. QTY. _____	PCS
<input type="checkbox"/>	MODIFICATION	REQ. QTY. _____	PCS
<input type="checkbox"/>	UPDATE DWG.		
<input type="checkbox"/>	REFERENCE		
<input checked="" type="checkbox"/>	PRODUCTION		

APP. BY \_\_\_\_\_  
DATE \_\_\_\_\_



Guangdong Whirlpool Electrical  
Appliances Co., Ltd.

DESIGNER: Jimmy Wu	TITLE: SCHEMATIC DIAGRAM	
DATE: Aug. 29, 2008	DWG. NO. MU-099	
FIRST USE MODEL NO: Getstar FC	SCALE:	UNIT: A4
ASSEMBLE TO:	3rd PROJ	SHEET OF
GENERAL TOLERANCES:		