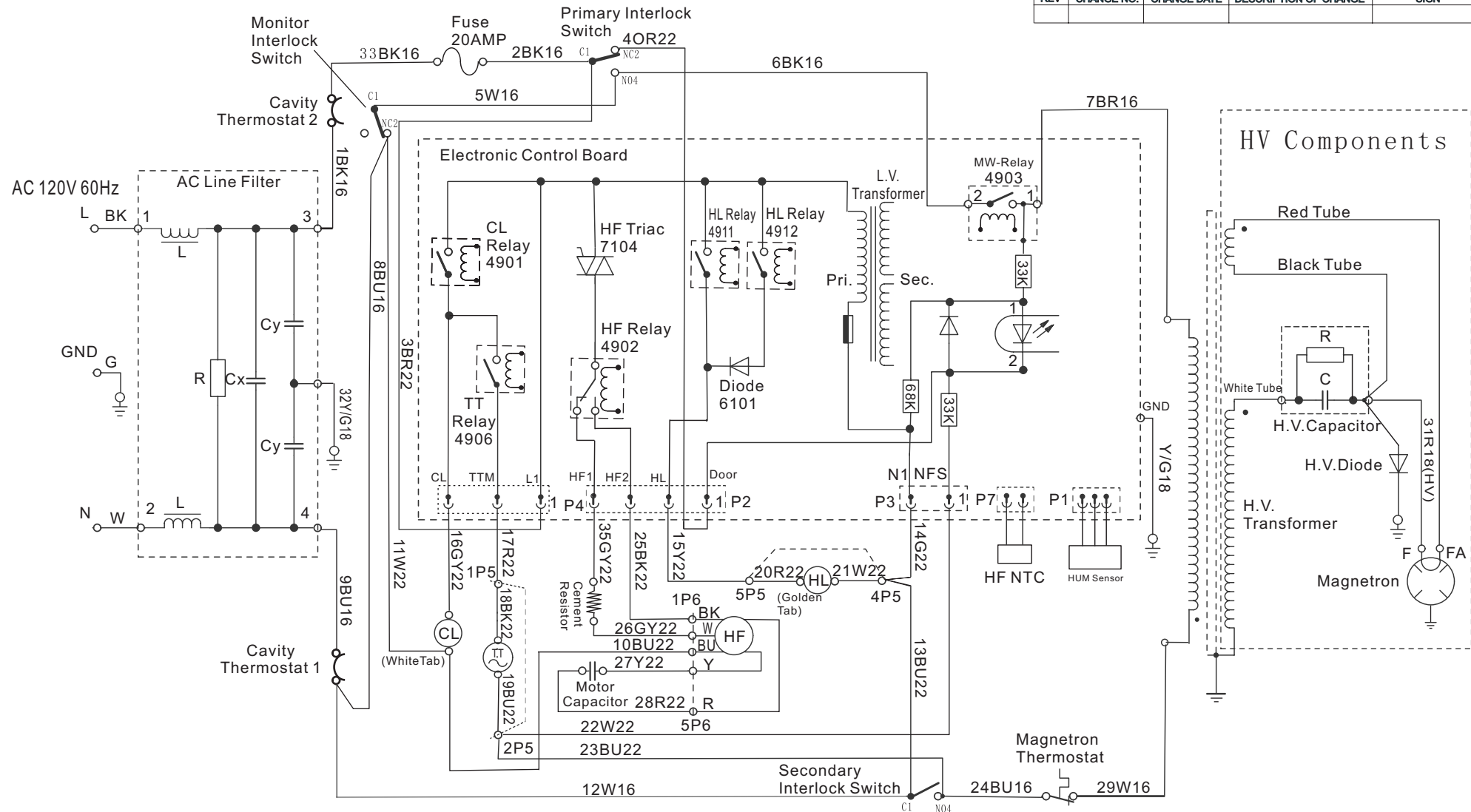


REV	CHANGE NO.	CHANGE DATE	DESCRIPTION OF CHANGE	SIGN



CONDITION: DOOR OPEN
SYMBOL NOTES

 HOOD LAMP
(COOKTOP LAMP)

 CAVITY LAMP

 HOOD FAN MOTOR

 TURNTABLE MOTOR

P1/P2/P3/P4/P5/P6/P7: CONNECTORS
BK: BLACK W: WHITE BR: BROWN
BU: BLUE G: GREEN OR: ORANGE
R: RED Y: YELLOW GY: GRAY

1 Bk16 — WIRE SIZE - AWG16
— WIRE COLOR - BLACK
— WIRE NO. - 1

RELEASE FOR:	
<input type="checkbox"/>	QUOTATION
<input type="checkbox"/>	TOOL MAKING
	REQ. QTY. _____ PCS
<input type="checkbox"/>	PURCHASING
	REQ. QTY. _____ PCS
<input type="checkbox"/>	MODIFICATION
	REQ. QTY. _____ PCS
<input type="checkbox"/>	UPDATE DWG.
<input type="checkbox"/>	REFERENCE
<input checked="" type="checkbox"/>	PRODUCTION
	APP. BY _____
	DATE _____



Guangdong Whirlpool Electrical Appliances Co., Ltd.

DESIGNER: Jlmmy Wu	TITLE: SCHEMATIC DIAGRAM	
DATE: Aug. 29, 2008	DWG. NO. MU-094	
FIRST USE MODEL NO: Getstar solo(Titan PCB,300CFM)	SCALE:	UNIT: A4
ASSEMBLE TO:	3rd PROJ	SHEET OF
GENERAL TOLERANCES:		

