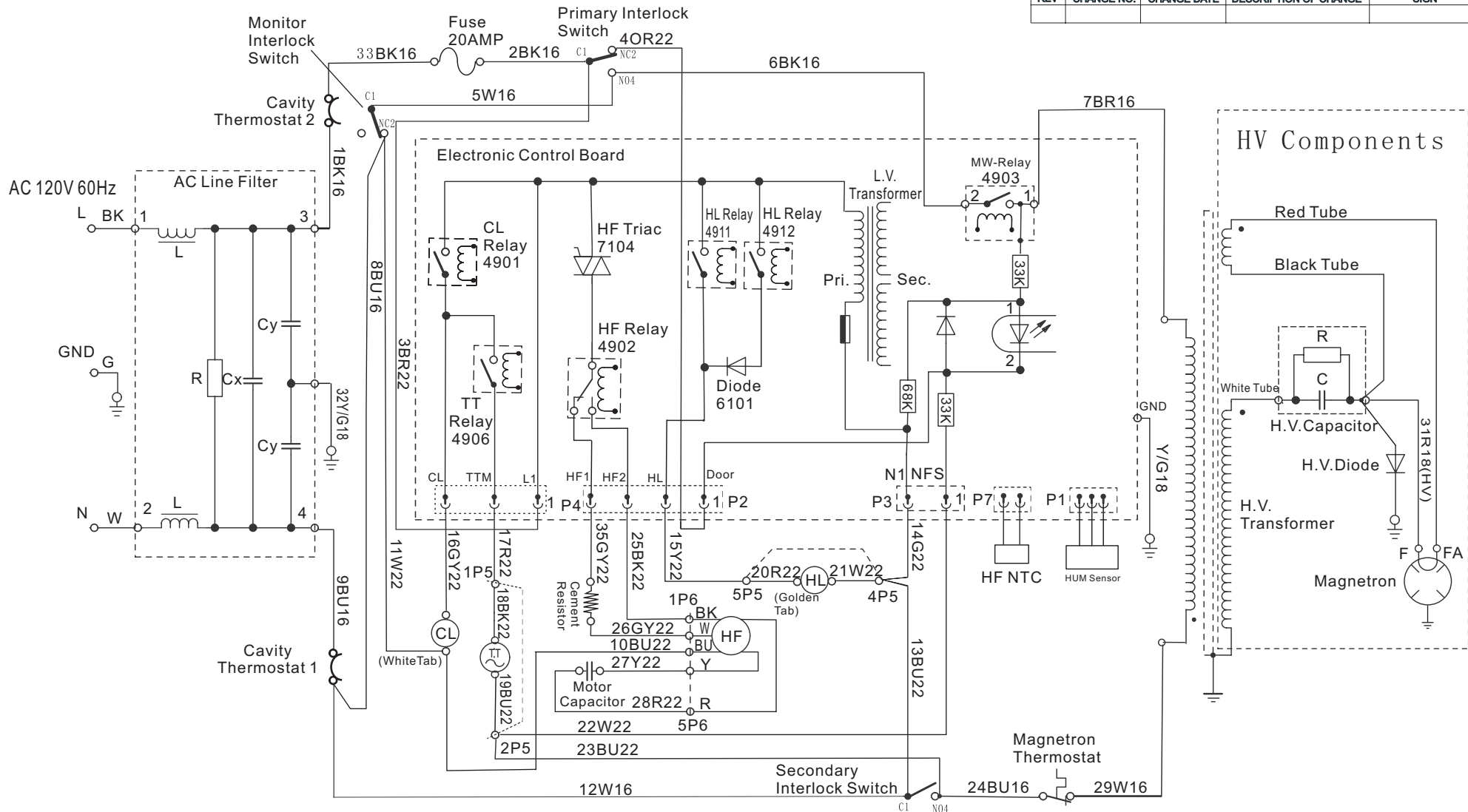


REV	CHANGE NO.	CHANGE DATE	DESCRIPTION OF CHANGE	SIGN



CONDITION: DOOR OPEN  
SYMBOL NOTES



P1/P2/P3/P4/P5/P6/P7: CONNECTORS

BK: BLACK W: WHITE BR: BROWN  
BU: BLUE G: GREEN OR: ORANGE  
R: RED Y: YELLOW GY: GRAY

1 Bk16 — WIRE SIZE - AWG16  
— WIRE COLOR - BLACK  
— WIRE NO. - 1

RELEASE FOR:	
<input type="checkbox"/> QUOTATION	REQ. QTY. _____ PCS
<input type="checkbox"/> TOOL MAKING	REQ. QTY. _____ PCS
<input type="checkbox"/> PURCHASING	REQ. QTY. _____ PCS
<input type="checkbox"/> MODIFICATION	REQ. QTY. _____ PCS
<input type="checkbox"/> UPDATE DWG.	
<input type="checkbox"/> REFERENCE	
<input checked="" type="checkbox"/> PRODUCTION	
APP. BY _____	
DATE _____	



**Guangdong Whirlpool Electrical Appliances Co., Ltd.**

DESIGNER: JImmy Wu	TITLE: SCHEMATIC DIAGRAM	
DATE: Aug. 29, 2008	DWG. NO. MU-094	
FIRST USE MODEL NO: Getstar solo(Titan PCB,300CFM)	SCALE:	UNIT: A4
ASSEMBLE TO:	3rd PROJ	SHEET OF
GENERAL TOLERANCES:	SHEET OF	