

MICROWAVE OVEN HOOD COMBINATION OWNER'S MANUAL

MANUAL DEL PROPIETARIO DE LA COMBINACIÓN DE HORNO DE MICROONDAS Y CAMPANA

Table of Contents/Índice

MICROWAVE OVEN SAFETY	2	SEGURIDAD DEL HORNO DE MICROONDAS	21
Microwave Oven Safety	2	Seguridad del horno de microondas.....	21
MICROWAVE OVEN MAINTENANCE AND CARE	4	MANTENIMIENTO Y CUIDADO DEL HORNO	
General Cleaning	4	MICROONDAS	23
INSTALLATION INSTRUCTIONS	4	Limpieza general	23
REQUIREMENTS	4	INSTRUCCIONES DE INSTALACIÓN	23
Tools and Parts	4	REQUISITOS	23
Location Requirements	6	Herramientas y piezas	23
Product Dimensions	6	Requisitos de ubicación	25
Installation Dimensions	6	Dimensiones del producto	25
Electrical Requirements	7	Dimensiones de instalación.....	25
INSTALLATION	7	Requisitos eléctricos.....	26
Prepare Microwave Oven Hood Combination	7	INSTALACIÓN	26
Installation Types	8	Preparar la combinación de horno de microondas y	
Find the Cardboard Plate.....	8	campana	26
Find the Wall Stud(s)	8	Tipos de instalación.....	27
Find the Flush Point.....	9	Encontrar plantilla de cartón	27
Mark Upper Cabinet	10	Encontrar las vigas de pared	27
Mark Rear Wall.....	11	Encontrar el punto al ras.....	28
Drill holes in Upper Cabinet.....	12	Marcar gabinete superior.....	29
Drill holes in Rear Wall	12	Marque la pared posterior	30
Attach Mounting Plate to Wall	13	Taladrar los orificios en el gabinete superior.....	31
Rotate Blower Motor	14	Taladre orificios en la pared posterior	31
Install Damper Assembly	17	Fije la placa de montaje a la pared.....	32
Install the Microwave Oven	17	Gire el motor del soplador	33
Complete Installation	18	Instale el conjunto de la compuerta	36
VENTING DESIGN SPECIFICATIONS	19	Instalación del horno de microondas	37
Venting Design Specifications.....	19	Finalización de la instalación	38
		ESPECIFICACIONES PARA EL DISEÑO DE LA	
		VENTILACIÓN	39
		Especificaciones para el diseño de la ventilación	39

IMPORTANT:

Save for local electrical inspector's use.

IMPORTANTE:

Guarde para tener a disposición del inspector de electricidad local.



W11595045A

MICROWAVE OVEN SAFETY

Your safety and the safety of others are very important.

We have provided many important safety messages in this manual and on your appliance. Always read and obey all safety messages.



This is the safety alert symbol.

This symbol alerts you to potential hazards that can kill or hurt you and others.

All safety messages will follow the safety alert symbol and either the word "DANGER" or "WARNING." These words mean:

▲ DANGER

You can be killed or seriously injured if you don't immediately follow instructions.

▲ WARNING

You can be killed or seriously injured if you don't follow instructions.

All safety messages will tell you what the potential hazard is, tell you how to reduce the chance of injury, and tell you what can happen if the instructions are not followed.

IMPORTANT SAFETY INSTRUCTIONS

When using electrical appliances basic safety precautions should be followed, including the following:

WARNING: To reduce the risk of burns, electric shock, fire, injury to persons, or exposure to excessive microwave energy:

- Read all instructions before using the appliance.
- Read and follow the specific "PRECAUTIONS TO AVOID POSSIBLE EXPOSURE TO EXCESSIVE MICROWAVE ENERGY" found in this manual.
- This appliance must be grounded. Connect only to properly grounded outlet. See "GROUNDING INSTRUCTIONS" found in this section.
- Install or locate this appliance only in accordance with the provided Installation Instructions.
- Some products such as whole eggs and sealed containers - for example, closed glass jars - are able to explode and should not be heated in this oven.
- Use this appliance only for its intended use as described in the manual. Do not use corrosive chemicals or vapors in this appliance. This type of oven is specifically designed to heat, cook, or dry food. It is not designed for industrial or laboratory use.
- As with any appliance, close supervision is necessary when used by children.
- Do not operate this appliance if it has a damaged cord or plug, if it is not working properly, or if it has been damaged or dropped.
- This appliance should be serviced only by qualified service personnel. Contact nearest authorized service facility for examination, repair, or adjustment.
- Do not cover or block any openings on the appliance.
- Do not store this appliance outdoors. Do not use this product near water – for example, near a kitchen sink, in a wet basement, near a swimming pool, or similar locations.
- Do not immerse cord or plug in water.
- Keep cord away from heated surfaces.
- Do not let cord hang over edge of table or counter.
- Do not use replacement parts that have not been recommended by the manufacturer (e.g. parts made at home using a 3D printer).
- See door surface cleaning instructions in the "Microwave Oven Maintenance and Care" section.
- Liquids, such as water, coffee, or tea are able to be overheated beyond the boiling point without appearing to be boiling. Visible bubbling or boiling when the container is removed from the microwave oven is not always present. THIS COULD RESULT IN VERY HOT LIQUIDS SUDDENLY BOILING OVER WHEN THE CONTAINER IS DISTURBED OR A UTENSIL IS INSERTED INTO THE LIQUID.
- Do not operate any heating or cooking appliance beneath this appliance.
- Do not mount unit over or near any portion of a heating or cooking appliance.
- Do not mount over a sink.
- Do not store anything directly on top of the appliance surface when the appliance is in operation.
- Clean Ventilating Hoods Frequently - Grease should not be allowed to accumulate on hood or filter.
- When flaming foods under the hood, turn the fan on.
- Suitable for use above both gas and electric cooking equipment.
- Intended to be used above ranges with maximum width of 36" (91.44 cm).

SAVE THESE INSTRUCTIONS

IMPORTANT SAFETY INSTRUCTIONS

When using electrical appliances basic safety precautions should be followed, including the following:

WARNING: To reduce the risk of burns, electric shock, fire, injury to persons, or exposure to excessive microwave energy:

- Use care when cleaning the vent-hood filter. Corrosive cleaning agents, such as lye-based oven cleaners, may damage the filter.
- To reduce the risk of fire in the oven cavity:
 - Do not overcook food. Carefully attend appliance when paper, plastic, or other combustible materials are placed inside the oven to facilitate cooking.
 - Remove wire twist-ties from paper or plastic bags before placing bag in oven.
 - If materials inside the oven ignite, keep oven door closed, turn oven off, and disconnect the power cord, or shut off power at the fuse or circuit breaker panel.
 - Do not use the cavity for storage purposes. Do not leave paper products, cooking utensils, or food in the cavity when not in use.

SAVE THESE INSTRUCTIONS

PRECAUTIONS TO AVOID POSSIBLE EXPOSURE TO EXCESSIVE MICROWAVE ENERGY

- (a) Do not attempt to operate this oven with the door open since open-door operation can result in harmful exposure to microwave energy. It is important not to defeat or tamper with the safety interlocks.
- (b) Do not place any object between the oven front face and the door or allow soil or cleaner residue to accumulate on sealing surfaces.
- (c) Do not operate the oven if it is damaged. It is particularly important that the oven door close properly and that there is no damage to the:
 - (1) Door (bent),
 - (2) Hinges and latches (broken or loosened),
 - (3) Door seals and sealing surfaces
- (d) The oven should not be adjusted or repaired by anyone except properly qualified service personnel.

RADIO INTERFERENCE

1. Operation of the microwave oven may cause interference to your radio, TV or similar equipment.
2. When there is interference, it may be reduced or eliminated by taking the following measures:
 - 1) Clean door and sealing surface of the oven
 - 2) Reorient the receiving antenna of radio or television.
 - 3) Relocate the microwave oven with respect to the receiver.
 - 4) Move the microwave oven away from the receiver.
- 5) Plug the microwave oven into a different outlet so that microwave oven and receiver are on different branch circuits.

FCC Radiation Exposure Statement:

This equipment complies with FCC radiation exposure limits set forth for an uncontrolled environment.

This equipment should be installed and operated with minimum distance 20cm between the radiator & your body.

MICROWAVE OVEN MAINTENANCE AND CARE

General Cleaning

IMPORTANT: Before cleaning, make sure all controls are off and the microwave oven is cool. Always follow label instructions on cleaning products.

Soap, water, and a soft cloth or sponge are suggested first, unless otherwise noted.

STAINLESS STEEL AND BLACK STAINLESS STEEL (on some models)

NOTE: To avoid damage to stainless steel surfaces, do not use soap-filled scouring pads, abrasive cleaners, Cooktop Cleaner, steel-wool pads, gritty washcloths, or abrasive paper towels. Damage may occur to stainless steel surfaces, even with one-time or limited use.

Rub in direction of grain to avoid damaging.

Cleaning Method:

- Affresh®† Stainless Steel Cleaners Part Number W10355016 (not included) or Affresh® Stainless Steel Cleaning Wipes Part Number W1055049 (not included): See the Quick Start Guide for ordering information.
- Vinegar for hard water spots.

MICROWAVE OVEN DOOR EXTERIOR

Cleaning Method:

- Glass cleaner and a soft cloth or sponge: Apply glass cleaner to soft cloth or sponge, not directly on panel.
- Affresh® Kitchen Appliance Cleaners Part Number W10355010 (not included): See “Online Ordering Information” section from Quick Start Guide to order.

NONSTICK CAVITY COATING (on some models)

To avoid damage to the microwave oven cavity, do not use metal or sharp utensils or scrapers or any type of abrasive cleanser or scrubbers.

MICROWAVE OVEN CAVITY

To avoid damage to the microwave oven cavity, do not use soap-filled scouring pads, abrasive cleaners, steel-wool pads, gritty washcloths, or some paper towels.

On stainless steel models, rub in direction of grain to avoid damaging.

The area where the microwave oven door and frame touch when closed should be kept clean.

Cleaning Method:

Average soil

- Mild, nonabrasive soaps and detergents:
Rinse with clean water and dry with soft, lint-free cloth.

Heavy soil

- Mild, nonabrasive soaps and detergents:
Heat 1 cup (250 mL) of water for 2 to 5 minutes in microwave oven. Steam will soften soil. Rinse with clean water and dry with soft, lint-free cloth.

Odors

- Lemon juice or vinegar:
Heat 1 cup (250 mL) of water with 1 tbs (15 mL) of either lemon juice or vinegar for 2 to 5 minutes in microwave oven.

GREASE FILTERS

- Mild cleanser and scouring pad
- Dishwasher

INSTALLATION INSTRUCTIONS REQUIREMENTS

Tools and Parts

Tools Needed


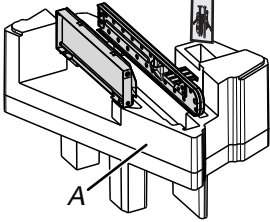






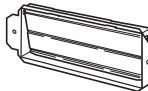

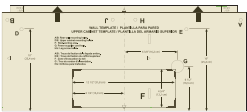
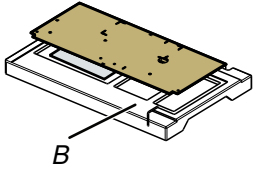
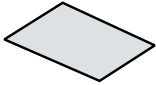
- Measuring tape
- Pencil
- Scissors
- Masking tape or thumbtacks
- Drill
- No. 2 Phillips screwdriver
- Stud finder
- No. 3 Phillips screwdriver for 1/4 - 20 x 3" (76 mm) bolts
- 3/16" (5 mm), 3/8" (10 mm), 5/8" (16 mm) drill bits
- 3/4" (19 mm) hole saw
- Keyhole saw
- Diagonal wire cutting pliers
- 7/16" (11 mm) socket wrench (or box wrench) for 1/4" x 2" (6.4 mm x 51 mm) lag screws
- 1 1/2" (38 mm) diameter hole drill bit for wood or metal cabinet
- Caulking gun and weatherproof caulking compound
- Duct tape.

Materials Needed

- Standard fittings for wall or roof venting. See the “Venting Design Specifications” section.

†Affresh is a registered trademark of Whirlpool, U.S.A.

Parts Needed

Part	Drawing	Description	Qty	Where can find?
Screw Pack		3/16 - 24 x 3" round-head bolts	2	 A. Inner Foam in the cavity
		1/4 - 20 x 3" flat-head bolts	2	
		Washers	2	
		3/16" toggle nuts	2	
		1/4" x 2" lag screws	4	
		#6 x 3/8" Sheet metal screws	2	
		Power supply cord bushing	1	
Damper		Damper for wall or roof venting	1	
Mounting Plate		Folded mounting plate, unfold before installation	1	
Cardboard Plate		Upper cabinet template and Wall template	1	 B. Outer Foam in the Carton
Literature Pack		Literature	1	

Check local codes. Check existing electrical supply. See "Electrical Requirements".

It is recommended that all electrical connections be made by a licensed, qualified electrical installer.

NOTE:

- The hardware items listed here are for wood studs. For other types of wall structures, be sure to use appropriate fasteners.
- Be sure to purchase only Whirlpool factory-certified parts and accessories for your appliance. Your installation may require additional parts. To order, see the "Online Ordering Information" section of the Quick Start Guide.

Location Requirements

Check the opening where the microwave oven will be installed. The location must provide:

- Minimum installation dimensions. See the "Installation Dimensions" illustration.
- Minimum one 2" x 4" (51 x 102 mm) wood wall stud and minimum 3/8" (10 mm) thickness drywall or plaster/lath within cabinet opening.
- Support for weight of 150 lbs (68 kg) which includes microwave oven and items placed inside the microwave oven and upper cabinet.
- Grounded electrical outlet inside upper cabinet. See the "Electrical Requirements" section.

NOTE:

- Some models have a pocket handle. If installing the microwave near a right side wall, make sure there is at least 3 inches of clearance between wall and microwave oven so you can grab the handle integrated inside the door.
- Some cabinet and building materials are not designed to withstand the heat produced by the microwave oven for cooking. Check with your builder or cabinet supplier to make sure that the materials used will not discolor, delaminate, or sustain other damages.

Special Requirements

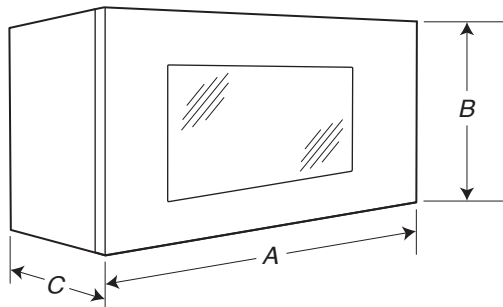
For Wall Venting Installation Only:

- Cutout must be free of any obstructions so that the vent fit properly and the damper blade opens freely and fully.

For Roof Venting Installation Only:

- If you are using a rectangular-to-round transition piece, the 3" (76 mm) clearance needs to exist above the microwave oven so that the damper blade can open freely and fully. See "Rectangular to Round Transition" illustration in the "Venting Design Specifications" section.

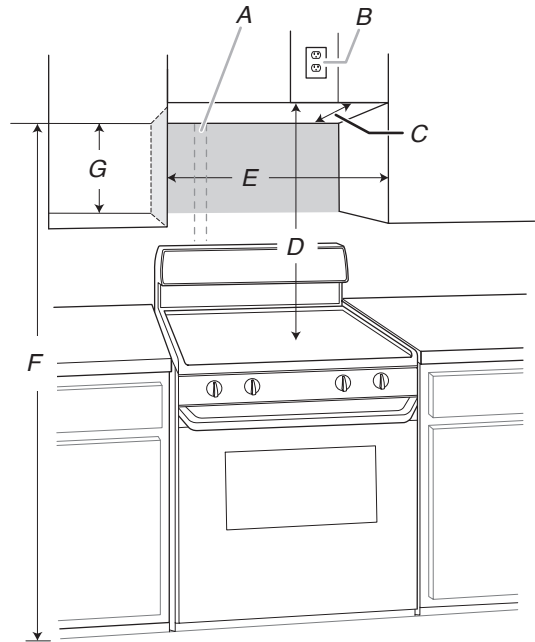
Product Dimensions



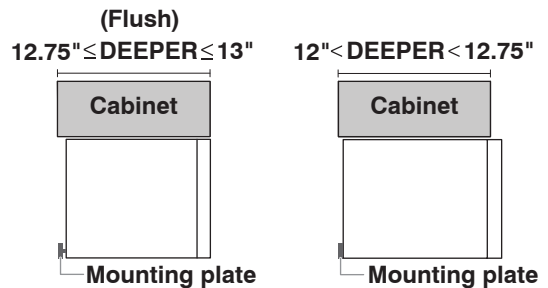
- A. 29⁷/₈" (76.1 cm)
- B. 17⁷/₈" (45.4 cm)
- C. 12¹/₈" (31.3 cm)

Installation Dimensions

NOTE: The grounded 3 prong outlet must be inside the upper cabinet. See the "Electrical Requirements" section.



- A. 2" x 4" (51 mm x 102 mm) wall stud
- B. Grounded 3 prong outlet
- C. Upper cabinet depth (with door) 12" (30.5 cm) to 13" (33 cm)***
- D. 36" (91.4 cm) recommended*
30" (76.2 cm) typical**
- E. 30" (76.2 cm) minimum
- F. 72" (182.8 cm) recommended
66" (167.6 cm) minimum
- G. Flat back surface 18¹/₄" (46.3 cm) minimum



Exact dimensions may vary depending on type of range/cooktop below.

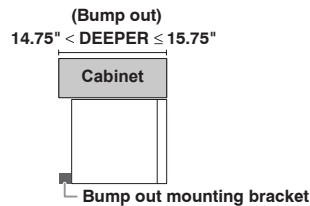
*36" (914 mm) is recommended for 72" (1828 mm) installation height.

**30" (762 mm) is typical for 66" (1676 mm) installation height.

***12" (305 mm) to 12.75" (320 mm) cabinets, the microwave oven is bulge to the cabinet.
12.75" (320 mm) to 13" (330 mm) cabinets, the microwave oven is flush to the cabinet.

NOTE: If cabinets are deeper 14.75" (375 mm) to 15.75" (400 mm), use the bump out mounting kit replacing the mounting plate from the wall. The bump out mounting kit (part# W11630300) is not provided. To order, see the "Online Ordering Information" section of the Quick Start Guide.

For other dimension's cabinet, suggest select other Whirlpool Products.



Electrical Requirements

⚠ WARNING



Electrical Shock Hazard

- Plug into a grounded 3 prong outlet.
- Do not remove ground prong.
- Do not use an adapter.
- Do not use an extension cord.
- Failure to follow these instructions can result in death, fire, or electrical shock.

Observe all governing codes and ordinances.

Required:

- A 120 V, 60 Hz, AC only, 15 or 20 A electrical supply with a fuse or circuit breaker

Recommended:

- A time-delay fuse or time-delay circuit breaker
- A separate circuit serving only this microwave oven

GROUNDING INSTRUCTIONS

For a grounded, cord-connected appliance:

This appliance must be grounded. In the event of a malfunction or breakdown, grounding will reduce the risk of electric shock by providing a path of least resistance for electric current. This appliance is equipped with a cord having an equipment-grounding conductor and a grounding plug. The plug must be plugged into an appropriate outlet that is properly installed and grounded in accordance with all local codes and ordinances.

WARNING: Improper connection of the equipment-grounding conductor can result in a risk of electric shock. Check with a qualified electrician or serviceman if you are in doubt as to whether the appliance is properly grounded. Do not modify the plug provided with the appliance: if it will not fit the outlet, have a proper outlet installed by a qualified electrician.

SAVE THESE INSTRUCTIONS

This device complies with Part 18 of the FCC Rules.

INSTALLATION

Prepare Microwave Oven Hood Combination

⚠ WARNING

Excessive Weight Hazard

Use two or more people to move and install or uninstall appliance.

Failure to do so can result in back or other injury.

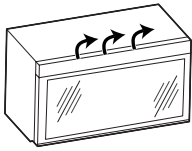
1. To avoid possible damage to the work surface, cover the work surface.
2. Remove cardboard plate from the outer foam in the carton. It is for upper-cabinet and wall installation.
3. Remove the screw pack from the inner foam in the cavity.
4. Remove the damper from the inner foam in the cavity.
5. Remove the literature pack from the outer foam in the carton.
6. Remove shipping materials, tape and film from microwave.
7. Remove the mounting plate from the inner foam in the cavity.
8. Tape the microwave oven door closed so that the door does not swing open while the microwave oven is being handled.

NOTE: To avoid damage to the microwave oven, do not grip or use the door or door handle while the microwave oven is being handled.

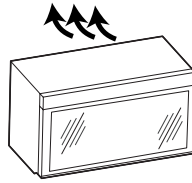
Installation Types

This microwave oven is designed for adaptation to the following three types of ventilation, choose one type before installation.

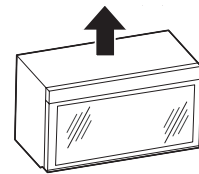
Recirculation (Factory Default Setting)



Wall Venting

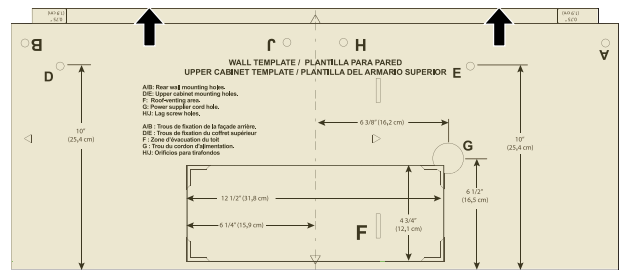


Roof Venting



Find the Cardboard Plate

The cardboard plate is used as wall template and upper-cabinet template. It is located on the outer foam in the carton. Find it before installation.



Find the Wall Stud(s)

NOTE: If no wall studs exist within the cabinet opening, do not install the microwave oven.

See illustrations in "Possible Wall Stud Configurations."

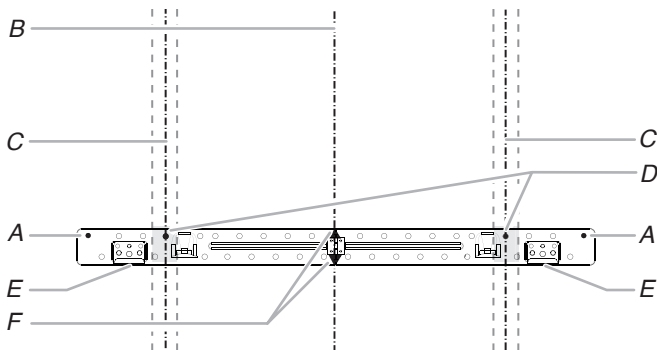
1. Using a stud finder, locate the edges of the wall stud(s) within the opening.
2. Mark the center of each stud, and draw a plumb line down each stud center. See illustrations in "Possible Wall Stud Configurations."

Possible Wall Stud Configurations

These depictions show examples of preferred installation configurations with the mounting plate.

No Wall Studs at End Holes

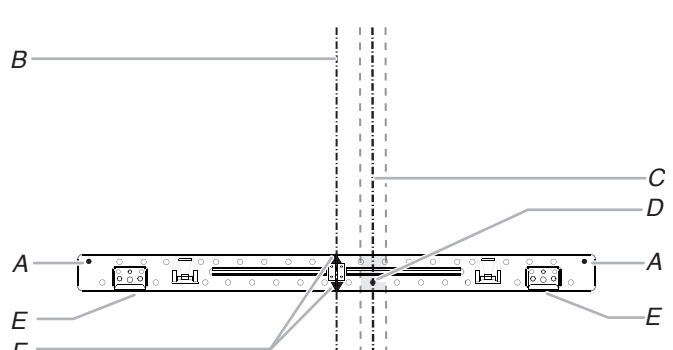
Figure 1



- | | |
|--|----------------------------------|
| A. End holes (on mounting plate) | D. Holes for lag screws |
| B. Cabinet opening vertical centerline | E. Support tabs |
| C. Wall stud centerlines | F. Mounting plate center markers |

No Wall Studs at End Holes

Figure 2

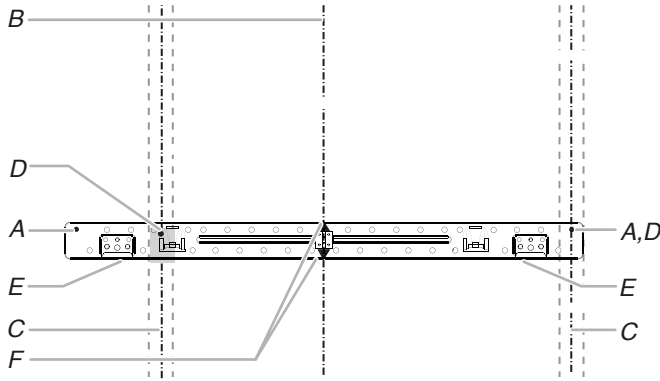


NOTE: If wall stud is within 6" (15.2 cm) of the vertical centerline, only recirculation or roof venting installation can be done.

- | | |
|--|----------------------------------|
| A. End holes (on mounting plate) | D. Holes for lag screws |
| B. Cabinet opening vertical centerline | E. Support tabs |
| C. Wall stud centerlines | F. Mounting plate center markers |

Wall Stud at End Holes

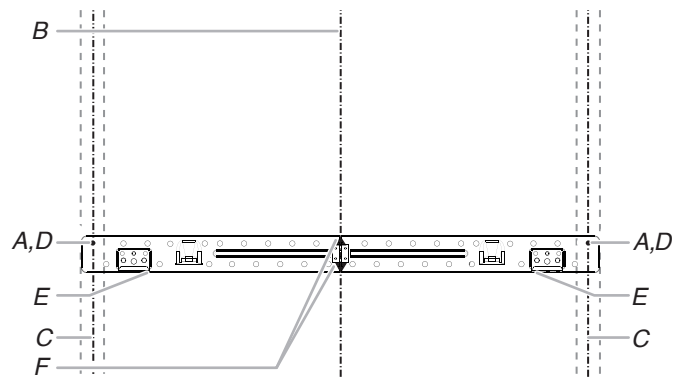
Figure 3



- A. End holes (on mounting plate)
- B. Cabinet opening vertical centerline
- C. Wall stud centerlines
- D. Holes for lag screws
- E. Support tabs
- F. Mounting plate center markers

Wall Stud at End Holes

Figure 4

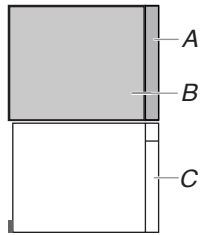


- A. End holes (on mounting plate)
- B. Cabinet opening vertical centerline
- C. Wall stud centerlines
- D. Holes for lag screws
- E. Support tabs
- F. Mounting plate center markers

Find the Flush Point

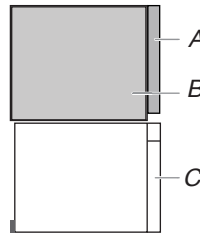
This product is designed to flush the cabinet, and the flush point before installation. Don't install the microwave oven behind the cabinets.

Flush to Cabinet door



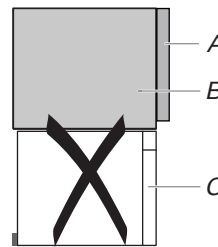
- A. Cabinet door
- B. Cabinet
- C. Microwave oven door

Flush to Cabinet door



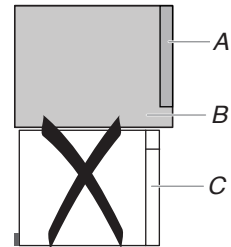
- A. Cabinet door
- B. Cabinet
- C. Microwave oven door

Don't Install the microwave oven backward



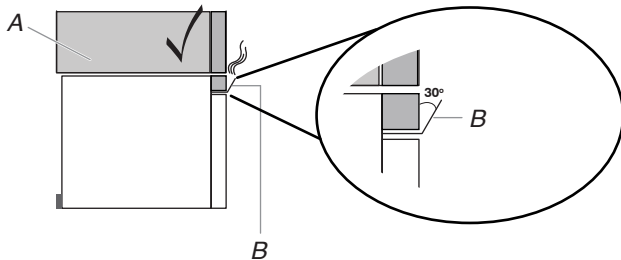
- A. Cabinet door
- B. Cabinet
- C. Microwave oven door

Don't Install the microwave oven backward

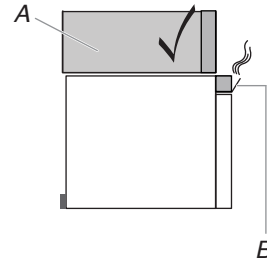


- A. Cabinet door
- B. Cabinet
- C. Microwave oven door

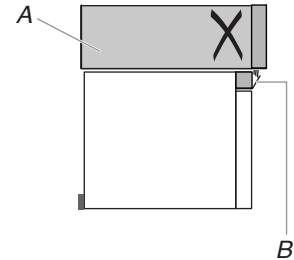
NOTE: The grille baffle will automatically open 30 degrees when the microwave oven uses the ventilation & cooking function. Do not install the microwave oven backwards, otherwise it will block the air outlet.



- A. Cabinet
- B. Grille baffle

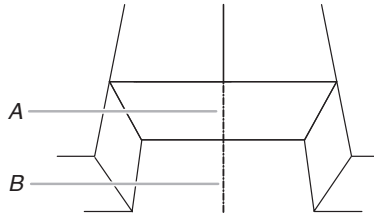


- A. Cabinet
- B. Grille baffle



Mark Upper Cabinet

- Using measuring tape, and clearly mark the vertical centerline of the opening. Make sure it align with the vertical wall centerline.



A. Upper Cabinet Centerline
B. Wall Centerline

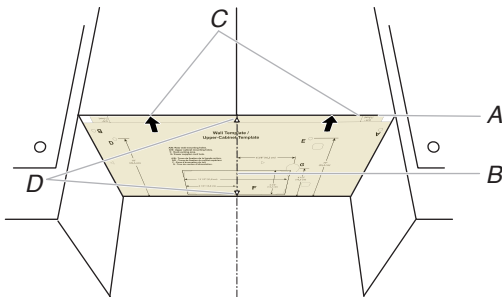
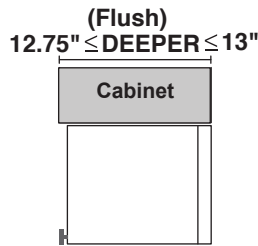
NOTE: The cardboard plate is fit for depth of 12" to 13" cabinet installation, but need some adjustment for different depth. See the following steps 2, 3.

If your cabinet depth is 12.75" to 13" depth:

- Place the cardboard plate against the bottom of the upper cabinet.

NOTES:

- Make sure the front edge of the cardboard plate align with the front edge of upper cabinet.
- Make sure the center marks on the cardboard plate align with the upper cabinet centerline which draw in step 1.

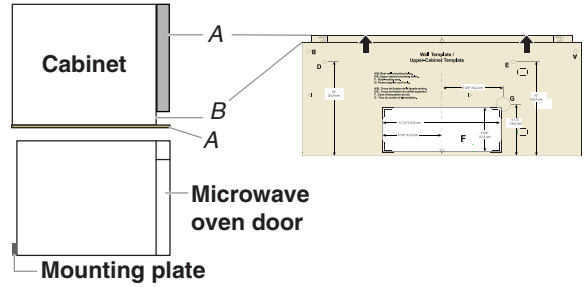


A. Front Edge of Cardboard Plate & Front Edge of Upper Cabinet
B. Upper Cabinet Centerline
C. Arrows on Cardboard Plate
D. Center Marks on Cardboard Plate

NOTE: If the upper cabinet doors protrude from the upper cabinet, the cardboard can be adjusted outward to be flush with the upper cabinet door.

For example the upper cabinet door is 0.75" thick, you can align the cardboard plate 0.75" line with the upper cabinet.

Flush to cabinet door



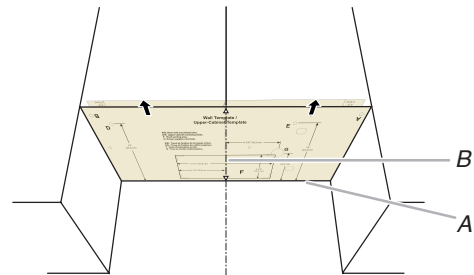
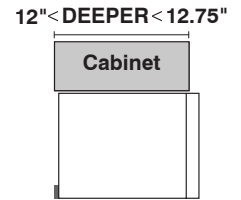
A. Front Edge of Cardboard Plate & Upper Cabinet Door
B. Upper Cabinet & Cardboard Plate 0.75" Line

If your cabinet is 12" to 12.75" depth, follow the step 3:

- Place the cardboard plate against the bottom of the upper cabinet.

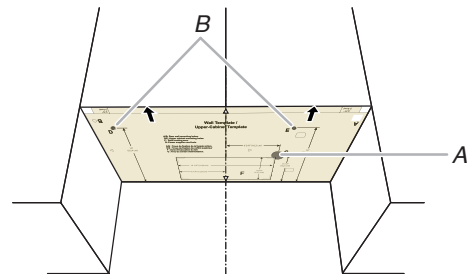
NOTES:

- Make sure the back edge of the cardboard plate align with the back edge of upper cabinet.
- Make sure the center marks on the cardboard plate align with the upper cabinet centerline which draw in step 1.



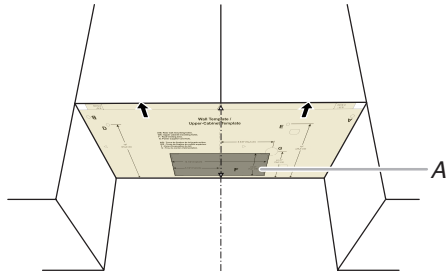
A. Back Edge of Cardboard Plate & Back Edge of Upper Cabinet
B. Upper Cabinet Centerline & Center Marks on Cardboard Plate

- Using a pencil to mark a power cord hole and two mounting nut holes.



A. Power Cord Hole
B. Mounting Nut Holes

- Using a pencil to mark an upper cabinet hole. This step can be skipped if your unit is using recirculation or wall venting installation.

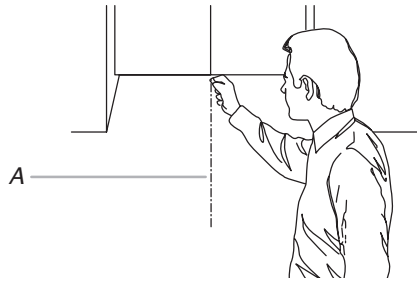


A. Upper Cabinet Hole

Mark Rear Wall

The microwave oven must be installed on a minimum of 1 wall stud, preferably 2, using a minimum of 1 lag screw, preferably 2. See "Find the Wall Stud(s)" section for find the wall studs.

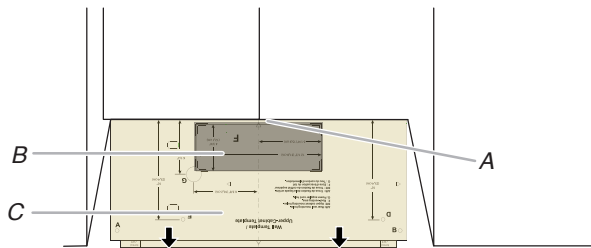
- Using measuring tape, and find clearly mark the vertical centerline of the opening.



A. Centerline

- Align the center markers on the cardboard plate, to the centerline on the wall, making sure it is level, and that the top of the cardboard template is butted up against the back edge of the upper cabinet.

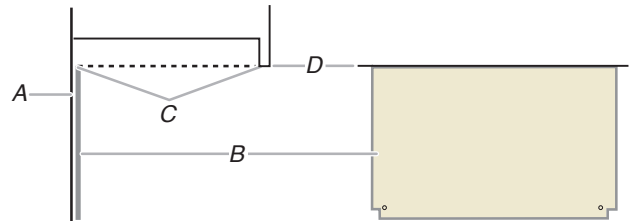
Using a pencil to mark the wall venting hole (door wall venting installation only), skip it if your unit is for recirculation or wall venting installation.



A. Back Edge of Upper Cabinet
B. Wall Venting Hole
C. Cardboard Plate

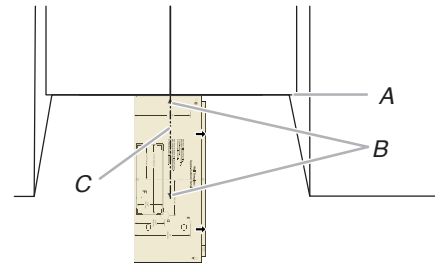
NOTE:

- If the front edge of the upper cabinet is lower than the back edge, lower the cardboard template so that its top is level with the front edge of the cabinet.



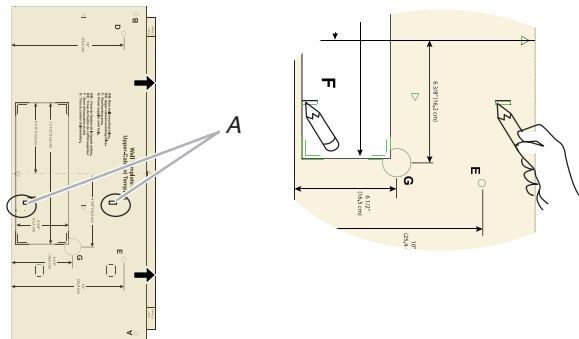
A. Rear wall
B. Cardboard plate
C. Top of cardboard plate must align with front edge of cabinet
D. Front edge of upper cabinet

- Vertical the cardboard plate, holding the cardboard plate in place. Align the side center mark on the cardboard plate over the vertical centerline drawn in step 1. Make sure the cardboard plate is level, and that the top of the cardboard template is butted up against the bottom edge of the upper cabinet.



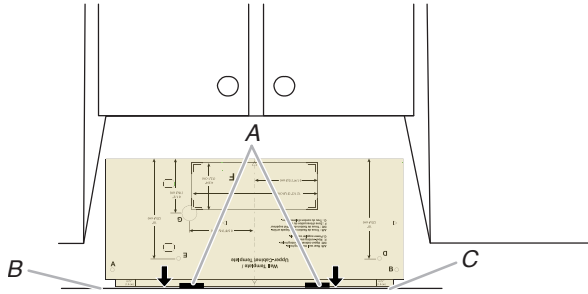
A. Bottom Edge of Upper Cabinet & Top of the Cardboard Plate
B. Side Center Marks on Cardboard Plate
C. Centerline

- Finding and drawing two small lines through the two cardboard plate bottom position lines.



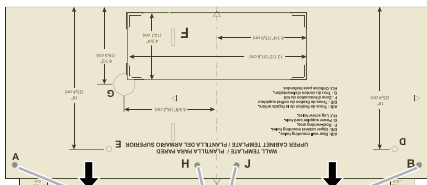
A. Cardboard Plate Bottom Position Line

- Using the bottom edge of the cardboard plate across the two small lines, draw a mounting plate bottom line.



- A. Two Small Lines
- B. Cardboard Plate Bottom Line
- C. Bottom Edge of Mounting Plate

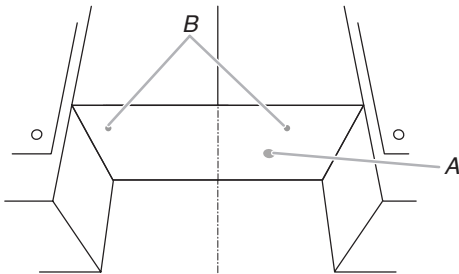
- Draw four small circuit along with A & B & H & J holes.



A & B & H & J holes

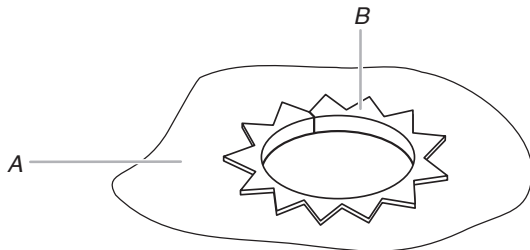
Drill holes in Upper Cabinet

- Using a drill, cut out the power cord hole (A).
- Drill two mounting nut holes (B), which are 3/8" (10 mm) holes at points "D" and "E" on the cardboard template. These are for two 1/4-20 x 3" bolts and washers used to secure the microwave oven to the upper cabinet.



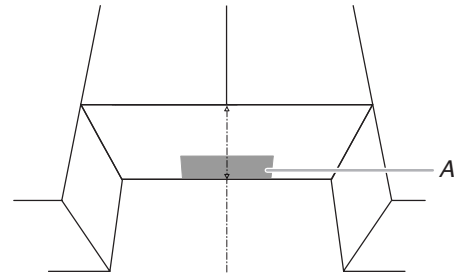
- A. Power Cord Hole
- B. Mounting Nut Holes

NOTE: If upper cabinet is metal, the supply cord bushing needs to be installed around the supply cord hole as shown.



- A. Metal cabinet
- B. Power supply cord bushing

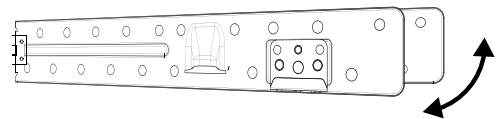
- Using a keyhole saw, cut out the rectangular roof venting cutout area. Skip this step if for recirculation venting or wall venting installation.



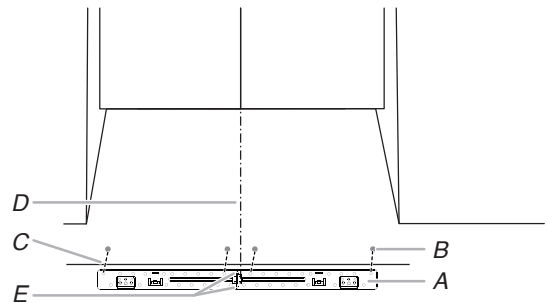
A. Roof Venting Cutout Area

Drill holes in Rear Wall

- The mounting plate is located inside the inner foam in the cavity, take it out. The mounting plate is folded, open it to 180 degree at plate.



- Attach the at mounting plate to wall. Make sure the 4 holes on mounting plate align with the A & B & H & J holes marked in the "Mark Rear wall" section. And the Mounting plate center markers align with the Center Mark.



- A. Mounting Plate
- B. A & B & H & J holes
- C. Mounting Plate Bottom Line
- D. Center Mark
- E. Mounting plate center markers

- Using a drill, cut out A & B & H & J holes, if the Wall studs do not located A & B hole, do not drill A & B hole, and follow the below instruction.

In addition to being installed on at least 1 wall stud, the mounting plate must attach to the wall at both end holes. If the end holes are not over wall studs, use two 3/16-24 x 3" round head bolts with toggle nuts; if 1 end hole is over a wall stud, use 1 lag screw and one 3/16-24 x 3" round-head bolt with toggle nut; or if both end holes are over wall studs, use 2 lag screws. Following are 3 installation configurations.

Installation for No Wall Studs at End Holes (Figures 1 and 2)

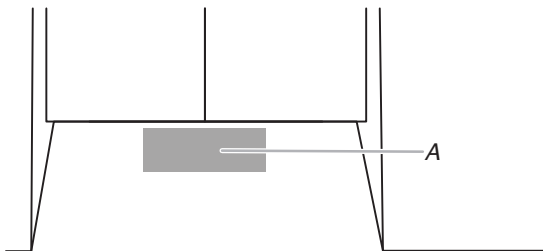
- Drill 5/8" (1.6 cm) holes through the wall at both end holes marked in Step 3 of the "Mark Rear Wall."
- Drill 3/16" (5 mm) hole(s) into the wall stud(s) at the hole(s) marked in step 6 of the "Mark Rear Wall." Refer to figures 1 and 2 in "Possible Wall Stud Configurations" in the "Locate Wall Stud(s)" section.

Installation for Wall Stud at One End Hole (Figure 3)

- Drill a 3/16" (5 mm) hole into the wall stud at the end hole marked in Step 3 of the "Mark Rear Wall."
- If installing on a second wall stud, drill a 3/16" (5 mm) hole into the wall stud at the other hole marked in Step 6 of the "Mark Rear Wall." Refer to Figure 3 in "Possible Wall Stud Configurations" in the "Locate all Stud(s)" section.
- Drill a 5/8" (1.6 cm) hole through the wall at the other end.

Installation for Wall Studs at Both End Holes (Figure 4)

- Drill 3/16" (5 mm) holes into the studs at the end holes marked in Step 3 of the "Mark Rear Wall."
- Using a keyhole saw, cut out the rectangular wall venting cutout area. Skip this step if for recirculation venting or roof venting installation.



A. Wall Venting Cutout Area

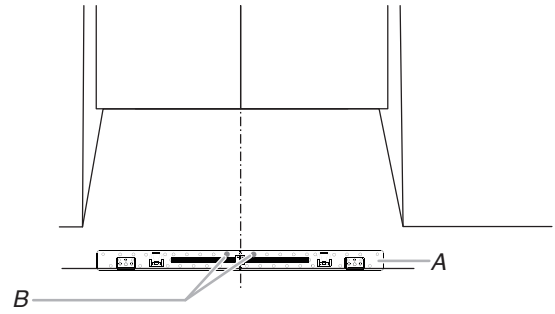
Attach Mounting Plate to Wall

- Position mounting plate on the wall.
- Secure the mounting plate to the wall at both end holes drilled into the wall studs and/or drywall using either 3/16-24 x 3" round-head bolts and toggle nuts or 1/4 x 2" lag screws.

Refer to illustrations in "Possible Wall Stud Configurations" in the "Locate Wall Stud(s)" section, and the following sections "No Wall Studs at End Holes (Figures 1 and 2)" or "Wall Stud at One End Hole (Figure 3)".

- Insert lag screws into both end holes.
- Check alignment of mounting plate, making sure it is level.
- Secure the two end hole screws.

- Secure the mounting plate to the wall at both H & J holes using two 1/4 x 2" lag screws.

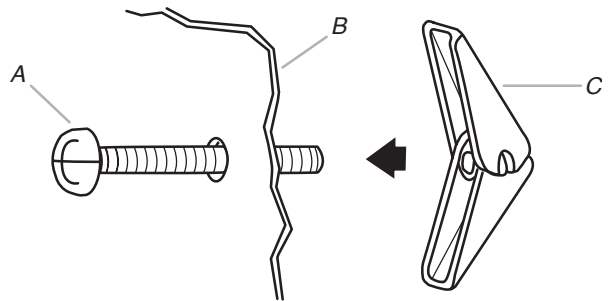


A. Mounting Plate
B. H & J holes

No Wall Studs at End Holes (Figures 1 and 2)

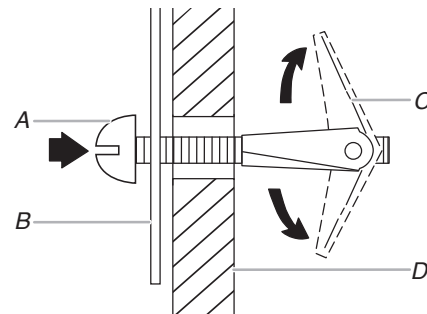
NOTE: The mounting plate must be secured to the wall on at least 1 wall stud as well as at both ends.

- With the support tabs of the mounting plate facing forward, insert 3/16-24 x 3" round-head bolts through both end holes of mounting plate.
- Start toggle nuts on bolts from the back of the mounting plate. Leave enough space for the toggle nuts to go through the wall and to open.



A. 3/16-24 x 3" round-head bolt
B. Mounting plate
C. Spring toggle nut

- Position mounting plate on the wall.
- Push the 2 bolts with toggle nuts through the drywall, and finger tighten the bolts to make sure toggle nuts have opened against drywall.



A. 3/16-24 x 3" round-head bolt
B. Mounting plate
C. Spring toggle nut
D. Drywall

- Insert lag screw(s) into the hole(s) drilled into wall stud(s) in Step 2 of "Installation for No Wall Studs at End Holes" in the "Drill Holes in Rear Wall" section.
- Check alignment of mounting plate, making sure it is level.

- Securely tighten all lag screws and bolts.

Wall Stud at One End Hole (Figure 3)

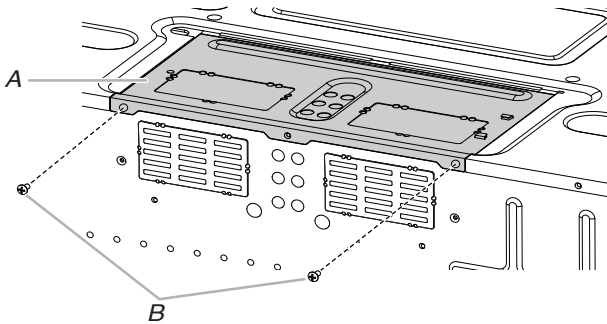
- With the support tabs of the mounting plate facing forward, insert a 3/16-24 x 3" round-head bolt through the end hole that fits over the 5/8" (16 mm) hole drilled in step 3 of "Installation for Wall Stud at One End Hole" in the "Drill Holes in Rear Wall" section.
- Start a toggle nut on the bolt from the back of the mounting plate. Leave enough space for the toggle nut to go through the wall and to open.
- Position mounting plate on the wall.
- Push the bolt with toggle nut through the drywall, and finger tighten the bolt to make sure toggle nut has opened against drywall.
- Insert a lag screw into the remaining end hole.
- If installing on a second wall stud, insert a lag screw into the other hole drilled in Step 2 of "Installation for Wall Stud at One End Hole" in the "Drill Holes in Rear Wall" section.
- Check alignment of mounting plate, making sure it is level.
- Securely tighten the lag screw(s) and bolt.

Rotate Blower Motor

This section include wall and roof venting installation, both venting installation need rotate blower motor, select one ventilation type before install the microwave oven. And follow the propriated instruction to rotate the blower motor. If for recirculation installation, no need to rotate the blower motor, this section can be skip.

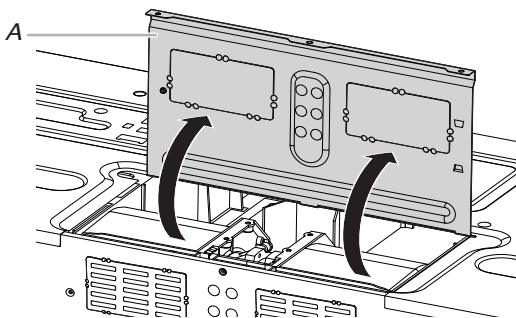
Rotate Blower Motor for Wall Venting Installation

- Remove screws attaching damper plate to back of microwave oven, set the screws aside.



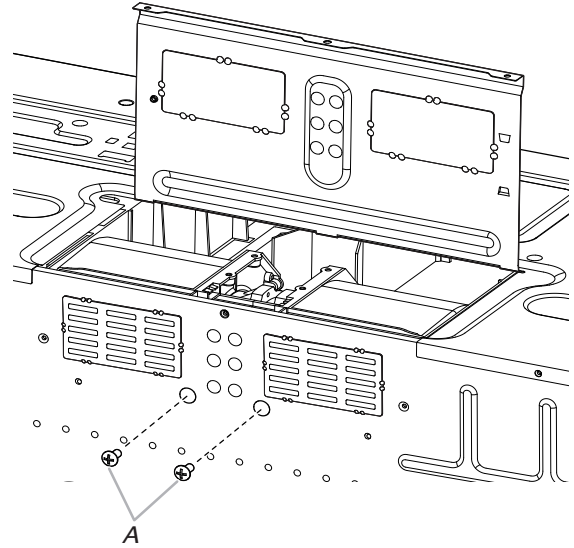
A. Damper plate
B. Screws

- Turn and hold the damper plate vertically as shown.



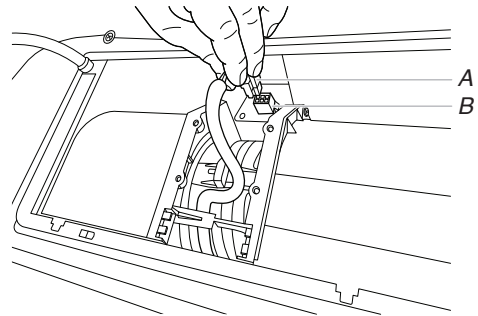
A. Damper plate

- Remove 2 blower screws attaching blower motor to the microwave oven, and set aside.



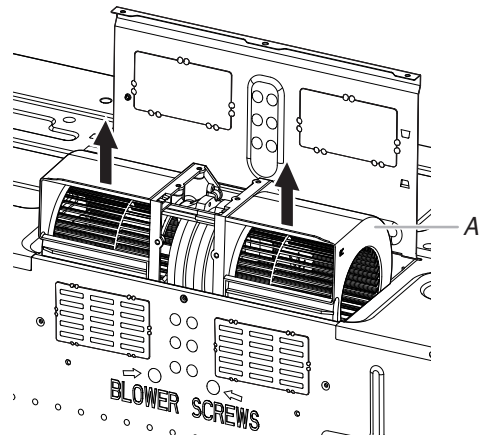
A. Blower screws (in recessed holes)

- Disconnect the blower motor wire from the connector.



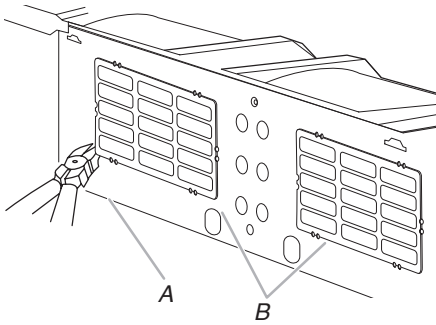
A. Blower motor wire
B. Connector

- Lift blower motor out of microwave oven, and set aside.



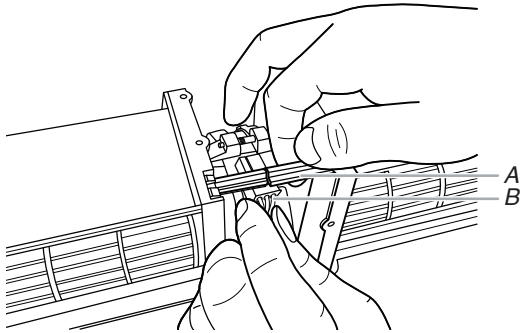
A. Blower motor

6. Using diagonal wire cutting pliers, gently snip out the rectangular damper vent covers at the perforations.



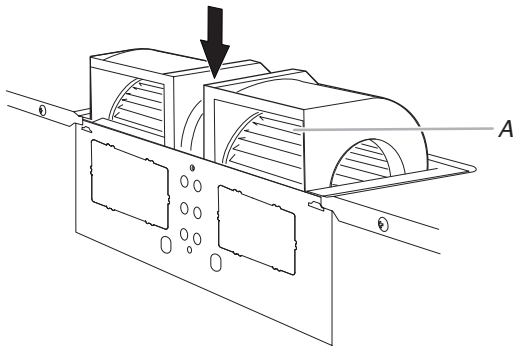
- A. Diagonal wire cutting pliers
B. Rectangular damper vent cover

7. Hold the blower motor wire, put the wire through the blower motor bridge.



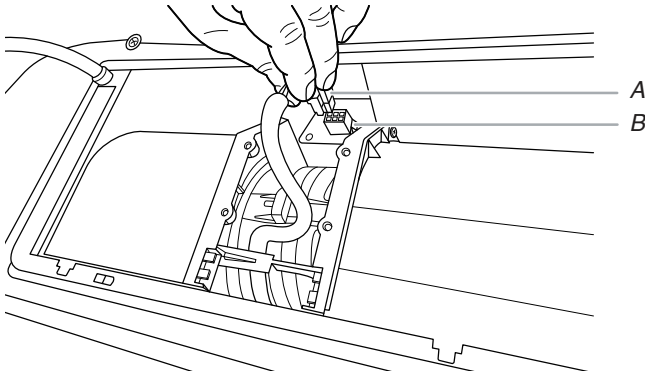
- A. Blower motor bridge
B. Blower motor wire

8. Lower blower motor back into the microwave oven. Exhaust ports face the back of the microwave oven.



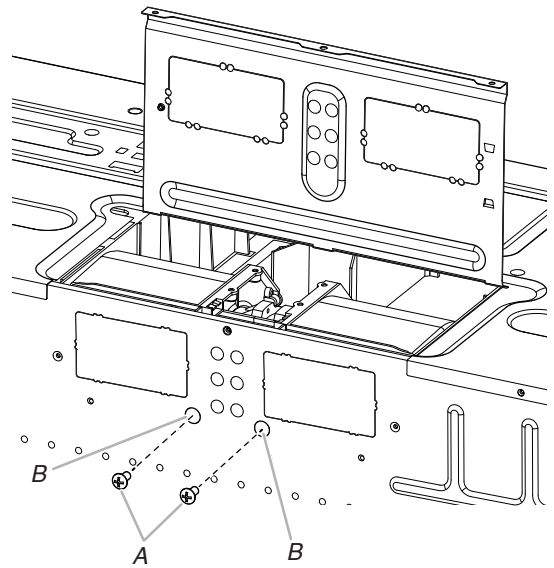
- A. Exhaust Port

9. Reconnect the blower motor wire into the connector.



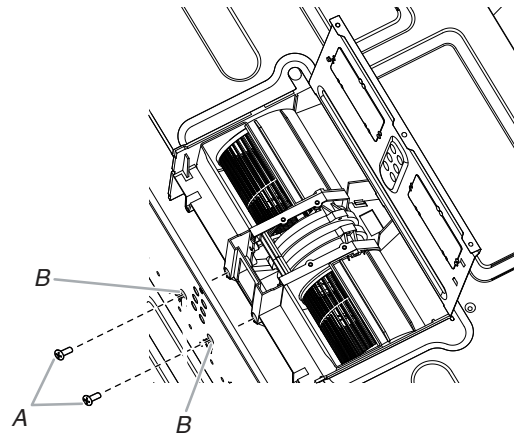
- A. Blower motor wire
B. Connector

10. Reattach the 2 blower screws into the recessed holes in the back of the microwave.



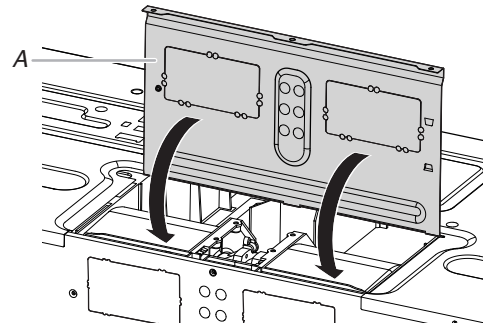
- A. Screws
B. Recessed holes

11. Check to make sure the 2 screws are secured properly in the blower motor screw holes, so that the motor cannot move.



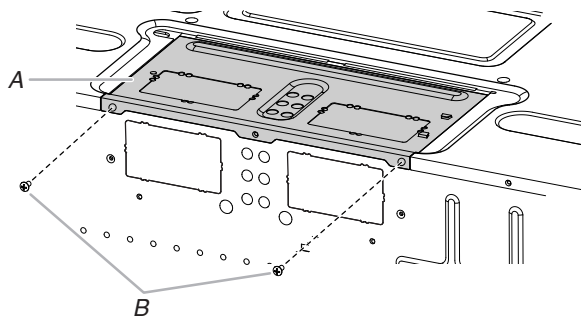
- A. Screws
B. Blower motor screw holes

12. Return the damper plate to its original horizontal position.



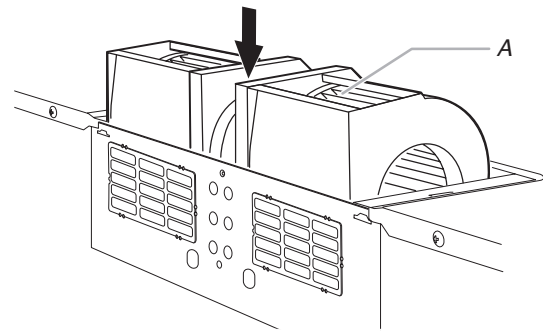
- A. Damper plate

13. Secure damper plate with 2 screws removed in Step 1.



A. Damper plate
B. Screws

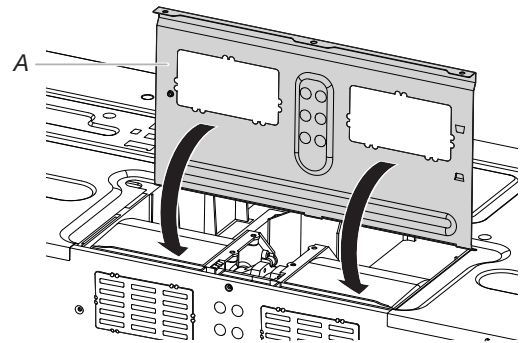
3. Lower blower motor back into microwave oven. Exhaust ports face the top of microwave oven.



A. Exhaust port

IMPORTANT: If blower motor is not positioned with flat side facing the back of the microwave oven (as shown), performance will be poor.

4. Reconnect the blower motor wire into the connector.
5. Reattach the 2 blower screws into the recessed holes in the back of the microwave.
6. Check to make sure the 2 screws are secured properly in the blower motor screw holes, so that the motor cannot move.
7. Return the damper plate to its original horizontal position.

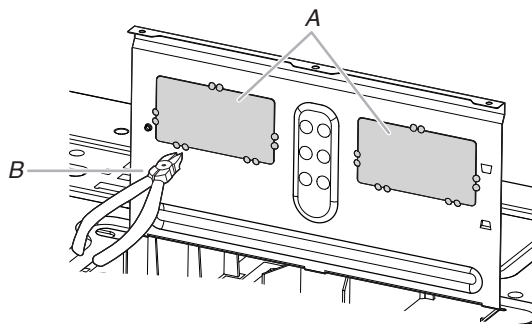


A. Damper plate

14. Plug in the microwave oven. Check if the vent fan runs with abnormal sounds, go back through the steps to see which step was skipped.

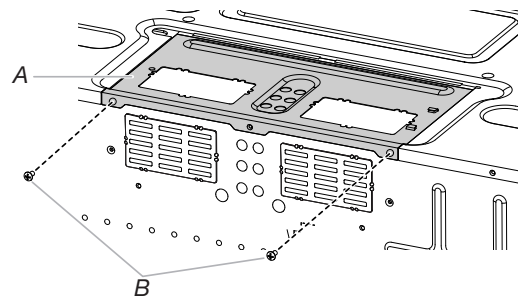
Rotate Blower Motor for Roof Venting Installation

1. Repeat Steps 1 to 5 from "Wall Venting Installation Only."
2. Using diagonal wire cutting pliers, gently snip out the rectangular vent covers on the damper plate at the perforations.



A. Rectangular vent covers
B. Diagonal wire cutting pliers

8. Secure damper plate with 2 screws removed in Step 1.



A. Damper plate
B. Screws

9. Repeat Step 14 from "Wall Venting Installation Only."

⚠ WARNING



Electrical Shock Hazard

Plug into a grounded 3 prong outlet.

Do not remove ground prong.

Do not use an adapter.

Do not use an extension cord.

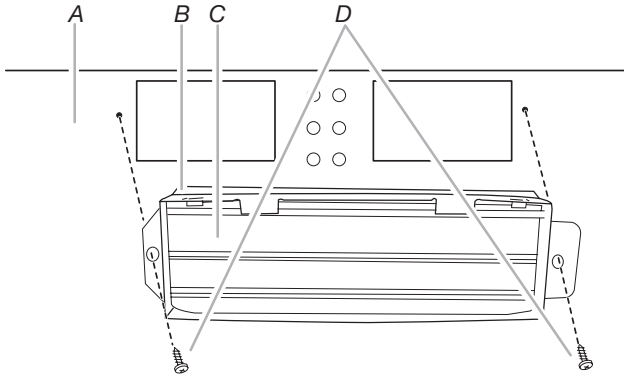
Failure to follow these instructions can result in death, fire, or electrical shock.

Install Damper Assembly

If for recirculation installation, no need to install the damper assembly, this section can be skip. And save it for future use.

Install Damper Assembly for Wall Venting Installation

1. Check that damper blade moves freely and opens fully.
2. Position the damper assembly on the back of the microwave oven so that the damper blade hinge is at the top, and the damper blade opens away from the microwave oven.



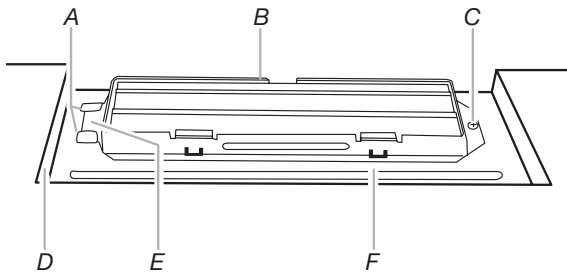
- A. Back of microwave oven
- B. Damper assembly
- C. Damper blade
- D. #6 x 3/8" Sheet metal screws

3. Secure damper assembly with two #6 x 3/8" sheet metal

Install Damper Assembly for Roof Venting Installation

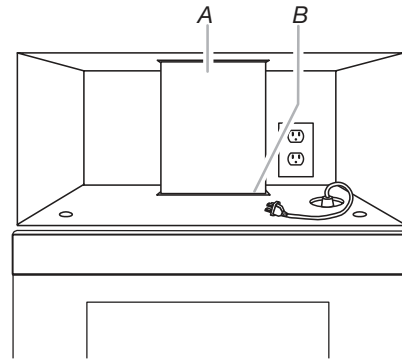
1. Check that damper blade moves freely and opens fully.
2. Insert damper assembly through the cabinet cutout so that the long tab of the damper assembly slides under the raised tabs of the damper plate. Then secure with #6 x 3/8" sheet metal screw.

NOTE: The screw cannot be installed if the damper assembly is not positioned as shown



- A. Raised tabs
- B. Damper assembly
- C. #6 x 3/8" Sheet metal screws
- D. Upper cabinet cutout
- E. Long tab
- F. Damper plate

3. Connect vent to damper assembly.



- A. Vent
- B. Damper assembly (under vent)

Install the Microwave Oven

⚠WARNING

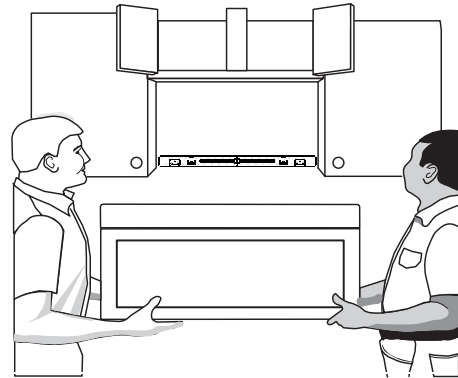
Excessive Weight Hazard

Use two or more people to move and install or uninstall appliance.

Failure to do so can result in back or other injury.

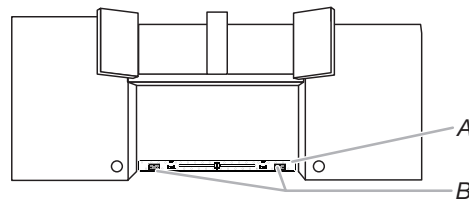
IMPORTANT: The control side of the microwave oven is the heavy side. Handle the microwave oven gently.

1. Place a washer on each 1/4–20 x 3" flat-head bolt and place inside upper cabinet near the 3/8" (10 mm) holes.
2. Make sure the microwave oven door is closed and taped shut.



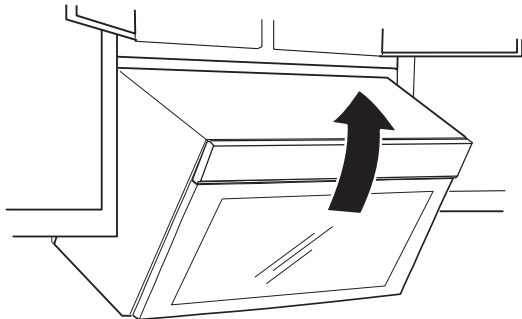
3. Using 2 or more people, lift microwave oven and hang it on support tabs at the bottom of mounting plate.

NOTE: To avoid damage to the microwave oven, do not grip or use the door or while the microwave oven is being handled.



- A. Mounting plate
- B. Support tabs

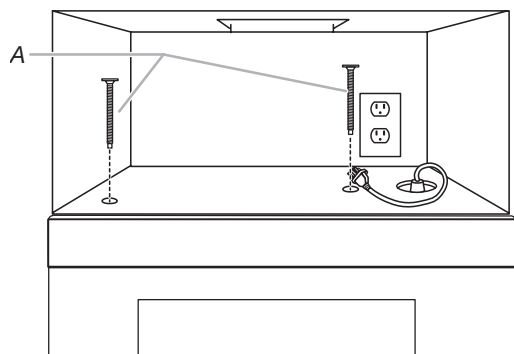
- With front of microwave oven still tilted, thread power supply cord through the power supply cord hole in the bottom of the upper cabinet.



- Rotate microwave oven up toward upper cabinet.
NOTE: If venting through the wall, make sure the damper assembly fits easily into the vent in the wall cutout.
- Push microwave oven against mounting plate and hold in.
NOTE: If microwave oven does not need to be adjusted, skip steps 6 through 8.
- If adjustment is required, rotate microwave oven downward. Using 2 or more people, lift microwave oven off of mounting plate, and set aside on a covered surface.
- Loosen mounting plate screws. Adjust mounting plate and retighten screws.
- Repeat steps 3 through 6.
- With the microwave oven centered, and with at least one person holding it in place, insert bolts through upper cabinet into microwave oven. Tighten bolts until there is no gap between upper cabinet and microwave oven.

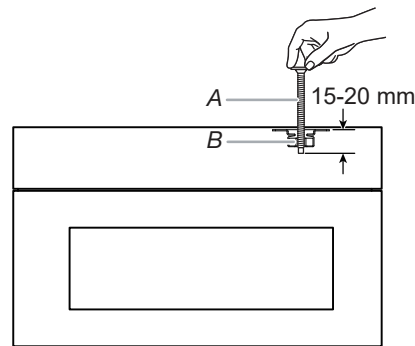
NOTES:

- Some upper cabinets may require bolts longer or shorter than 3" (7.6 cm). Longer or shorter bolts are available at most hardware stores.
- Overtightening bolts may warp the top of the microwave oven. To avoid warping, wood filter blocks (installer to provide) may be added. The blocks must be the same thickness as the space between the upper cabinet bottom and the microwave oven.



A. Bolts

- Avoid damage to the mounting nut, screw the bolts into the mounting nut holes around 15–20 mm by hand first, make sure the bolts thread in properly. Then tighten with tools.



A. Bolt
B. Mounting Nut

Complete Installation

- Check that all parts are now installed. If there is an extra part, go back through the steps to see which step was skipped.
- Dispose of/recycle all packaging materials.

⚠ WARNING



Electrical Shock Hazard

Plug into a grounded 3 prong outlet.

Do not remove ground prong.

Do not use an adapter.

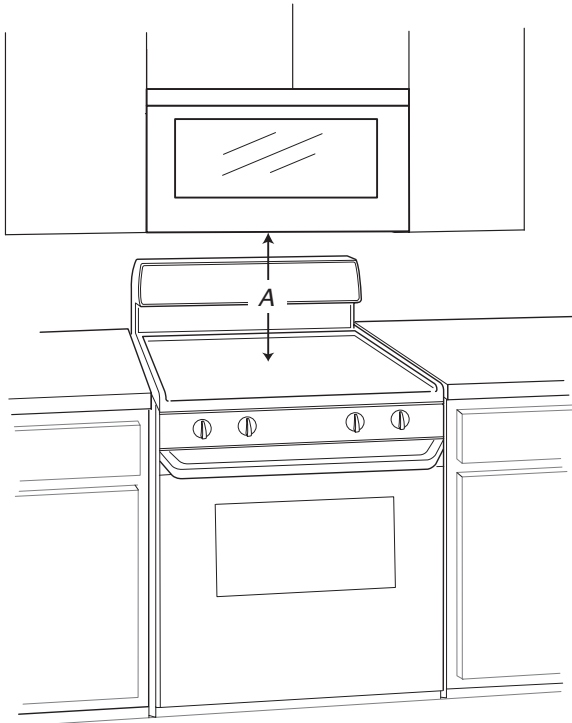
Do not use an extension cord.

Failure to follow these instructions can result in death, fire, or electrical shock.

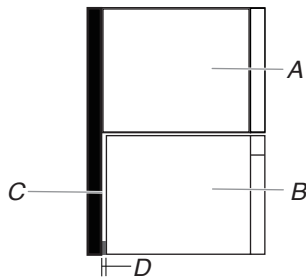
- Plug microwave oven into grounded 3 prong outlet.
- Reconnect power.
- Check the operation of microwave oven by placing 1 cup (250 mL) of water on the cavity and programming a cook time of 1 minute at 100% power. Test vent fan and exhaust by operating the vent fan.
- Check the vent door if auto open.
- If the microwave oven does not operate:
 - Check that a household fuse has not blown, or that a circuit breaker has not tripped. Replace the fuse or reset the circuit breaker. If the problem continues, call an electrician.
 - Check that the power supply cord is plugged into a grounded 3 prong outlet.
 - See the User Instructions for troubleshooting information.

The installation is now complete.

Save Installation Instructions for future use.



A. 18¹/₈" (46 cm)
12¹/₈" (30.8 cm)



A. Cabinet
B. Microwave oven
C. Wall or back of the cabinet
D. 0.5"-0.75" (1.3-1.9 cm)

VENTING DESIGN SPECIFICATIONS

Venting Design Specifications

This section is intended for architectural designer and builder/contractor reference only.

NOTES:

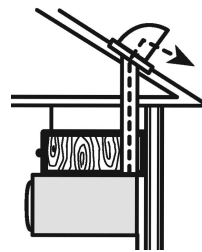
- Vent materials needed for installation are not provided with microwave hood combination.
- We do not recommend using a flexible metal vent.
- To avoid possible product damage, be sure to vent air outside, unless using recirculation installation. Do not vent exhaust air into concealed spaces, such as spaces within walls or ceilings, attics, crawl spaces or garages.

For optimal venting installation, we recommend:

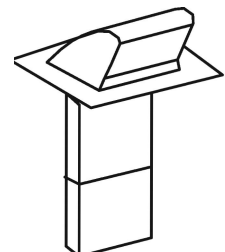
- Using roof or wall caps that have backdraft dampers.
- Using a rigid metal vent.
- Using the most direct route by minimizing the length of the vent and number of elbows to provide efficient performance.
- Using uniformly sized vents.
- Using duct tape to seal all joints in the vent system.
- Using caulking compound to seal exterior wall or roof opening around cap.
- Not installing 2 elbows together, for optimal hood performance.

If venting through the wall, be sure that there is proper clearance within the wall for the damper to open fully.

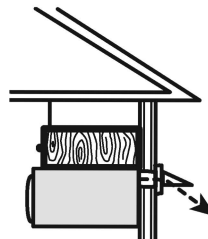
If venting through the roof, and rectangular-to-round transition is used, be sure there are at least 3" (76 mm) of clearance between the top of the microwave oven and the transition piece. See "Rectangular-to-Round Transition" illustration.



Roof venting



Roof cap



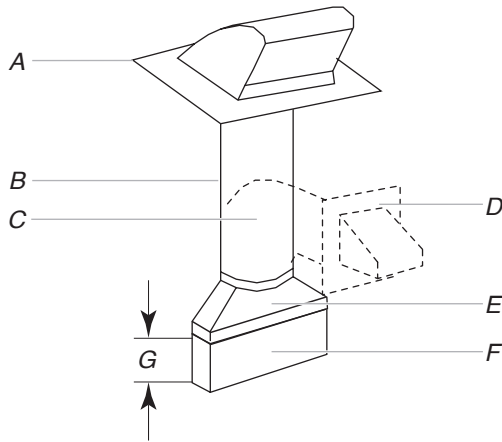
Wall venting



Wall cap

Rectangular-to-Round Transition

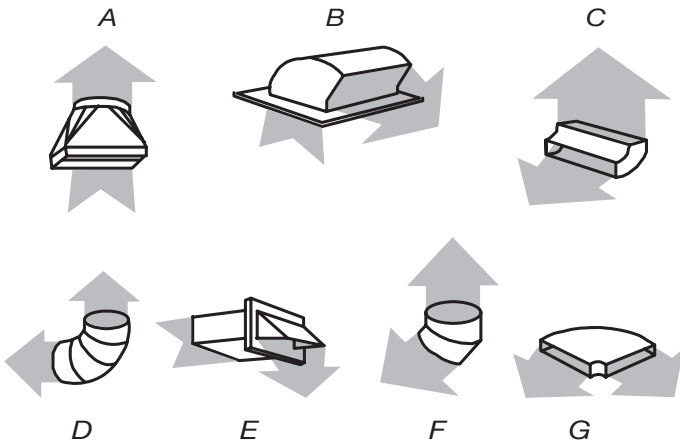
NOTE: The minimum 3" (76 mm) clearance must exist between the top of the microwave oven and the rectangular-to-round transition piece so that the damper can open freely and fully.



- A. Roof cap
- B. 6" (152 mm) minimum diameter round vent
- C. Elbow (for wall venting only)
- D. Wall cap
- E. 3 1/4" x 10" to 6" (83 x 254 mm to 152 mm) rectangular-to-round transition piece
- F. Vent extension piece, at least 3" (76 mm) high
- G. 3" (7.6 cm)

Recommended Standard Fittings

The following length equivalents are for use when figuring vent length. See the examples in "Recommended Vent Length."



- A. Rectangular-to-round transition piece: 3 1/4" x 10" to 6" = 5 ft (83 x 254 mm to 152 mm = 1.5 m)
- B. Roof cap: 3 1/4" x 10" = 24 ft (83 x 254 mm = 7.3 m)
- C. 90° elbow: 3 1/4" x 10" = 25 ft (83 x 254 mm = 7.6 m)
- D. 90° elbow: 6" = 10 ft (152 mm = 3 m)
- E. Wall cap: 3 1/4" x 10" = 40 ft (83 x 254 mm = 12.2 m)
- F. 45° elbow: 6" = 5 ft (152 mm = 1.5 m)
- G. 90° flat elbow: 3 1/4" x 10" = 10 ft (83 x 254 mm = 3 m)

Recommended Vent Length

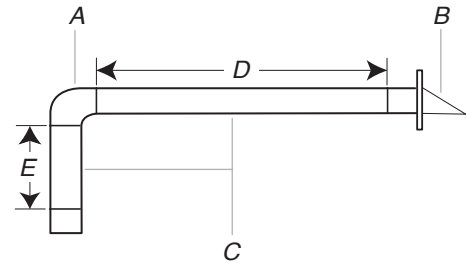
A 3 1/4" x 10" (83 x 254 mm) rectangular or 6" (152 mm) round vent should be used.

The total length of the vent system including straight vent, elbow(s), transitions and wall or roof caps must not exceed the equivalent of 140 ft (42.7 m) for either type of vent. See the "Recommended Standard Fittings" section for equivalent lengths.

For best performance, use no more than three 90° elbows.

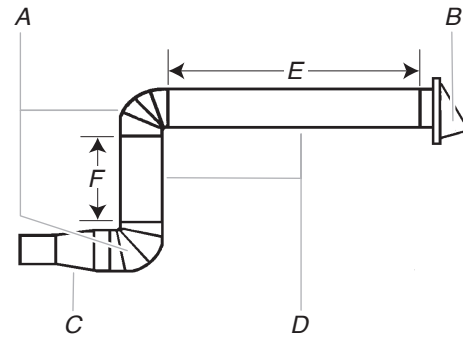
To calculate the length of the system you need, add the equivalent lengths of each vent piece used in the system. See the following examples:

3 1/4" x 10" (83 x 254 mm) vent system = 73 ft (22.2 m) total



- A. One 3 1/4" x 10" (83 x 254 mm) 90° elbow = 25 ft (7.6 m)
- B. 1 wall cap = 40 ft (12.2 m)
- C. 2 ft (0.6 m) + 6 ft (1.8 m) straight = 8 ft (2.4 m)
- D. 6 ft (1.8 m)
- E. 2 ft (0.6 m)

6" (152 mm) vent system = 73 ft (22.2 m) total



- A. Two 90° elbows = 20 ft (6.1 m)
- B. 1 wall cap = 40 ft (12.2 m)
- C. 1 rectangular-to-round transition piece = 5 ft (1.5 m)
- D. 2 ft (0.6 m) + 6 ft (1.8 m) straight = 8 ft (2.4 m)
- E. 6 ft (1.8 m)
- F. 2 ft (0.6 m)

If the existing vent is round, a rectangular to round transition piece must be used. In addition, a rectangular 3" (7.6 cm) extension vent between the damper assembly and rectangular to round transition piece must be installed to keep the damper from sticking.

SEGURIDAD DEL HORNO DE MICROONDAS

Su seguridad y la de los demás son muy importantes.

Hemos incluido muchos mensajes importantes de seguridad en este manual y en su electrodoméstico. Lea y obedezca siempre todos los mensajes de seguridad.



Este es el símbolo de advertencia de seguridad.

Este símbolo le llama la atención sobre peligros potenciales que pueden ocasionar la muerte o una lesión a usted y a los demás.

Todos los mensajes de seguridad irán a continuación del símbolo de advertencia de seguridad y de la palabra "PELIGRO" o "ADVERTENCIA". Estas palabras significan:

▲ PELIGRO

Usted puede morir o sufrir una lesión grave si no sigue de inmediato las instrucciones.

▲ ADVERTENCIA

Si no sigue las instrucciones, puede morir o sufrir una lesión grave.

Todos los mensajes de seguridad le dirán cuál es el peligro potencial, cómo reducir las posibilidades de sufrir una lesión y lo que puede suceder si no se siguen las instrucciones.

INSTRUCCIONES IMPORTANTES DE SEGURIDAD

Al utilizar aparatos eléctricos, se deben seguir siempre las precauciones básicas de seguridad, entre las que se incluyen las siguientes:

ADVERTENCIA: Para minimizar el riesgo de quemaduras, choque eléctrico, incendio, lesiones a las personas o exposición a energía de microondas excesiva:

- Lea todas las instrucciones antes de usar el electrodoméstico.
- Lea y siga las "PRECAUCIONES PARA EVITAR LA POSIBLE EXPOSICIÓN A ENERGÍA DE MICROONDAS EXCESIVA" específicas que se muestran en este manual.
- Este electrodoméstico debe estar conectado a tierra. Conéctelo solamente a un contacto debidamente conectado a tierra. Consulte las "INSTRUCCIONES DE CONEXIÓN A TIERRA" que se muestran en esta sección.
- Instale o ubique este electrodoméstico solo según las instrucciones de instalación proporcionadas.
- Algunos productos, como los huevos enteros y los contenedores cerrados (por ejemplo, frascos de vidrio cerrados), pueden explotar y no deben calentarse en este horno.
- Utilice este electrodoméstico solo para su uso previsto como se indica en este manual. No utilice químicos corrosivos o vapores en este electrodoméstico. Este tipo de horno está diseñado específicamente para calentar, cocinar o secar alimentos. No está diseñado para uso de laboratorio ni industrial.
- Como con cualquier aparato, si lo utilizan niños es necesario supervisarlos constantemente.
- No encienda el electrodoméstico si el cable o enchufe se encuentran dañados, no están funcionando adecuadamente o han sufrido daños o caídas.
- Solo personal calificado debe realizar el mantenimiento del electrodoméstico. Comuníquese con el lugar más cercano de servicio autorizado para su examen, reparación o ajuste.
- No cubra ni bloquee ninguna abertura del electrodoméstico.
- No almacene el electrodoméstico en exteriores. No use este producto cerca del agua, por ejemplo, cerca de un fregadero, en un sótano húmedo, o cerca de una piscina o lugares similares.
- No sumerja el cable ni el enchufe en agua.
- Mantenga el cable lejos de las superficies calientes.
- No deje que el cable cuelgue del borde de la mesa o del mostrador.
- No use piezas de repuesto que no hayan sido recomendadas por el fabricante (por ejemplo, piezas hechas en casa con una impresora 3D).
- Vea las instrucciones de limpieza de la superficie de la puerta en la sección "Mantenimiento y cuidado del horno de microondas".
- Los líquidos, como el agua, café o té, pueden sobrepasar el punto de ebullición sin que parezca que están hirviendo. La ebullición o las burbujas visibles no se encuentran siempre presentes al retirar el contenedor del microondas. **ESTO PUEDE RESULTAR EN LÍQUIDOS MUY CALIENTES QUE HIERVEN REPENTINAMENTE AL MOVER EL CONTENEDOR O INSERTAR UN UTENSILIO EN EL LÍQUIDO.**
- No ponga a funcionar ningún aparato de calefacción ni de cocción debajo de este electrodoméstico.
- No instale la unidad sobre un aparato de calefacción o cocción, ni cerca de ninguna parte de este.
- No monte el electrodoméstico sobre un fregadero.
- No almacene nada directamente encima de la superficie del electrodoméstico mientras esté en funcionamiento.

GUARDE ESTAS INSTRUCCIONES

INSTRUCCIONES IMPORTANTES DE SEGURIDAD

Al utilizar aparatos eléctricos, se deben seguir siempre las precauciones básicas de seguridad, entre las que se incluyen las siguientes:

ADVERTENCIA: Para minimizar el riesgo de quemaduras, choque eléctrico, incendio, lesiones a las personas o exposición a energía de microondas excesiva:

- Limpie las campanas de ventilación con frecuencia, no se debe dejar que la grasa se acumule en la campana ni en el filtro.
- Al flamear los alimentos debajo de la campana, encienda el ventilador.
- Apto para uso sobre equipos de cocina a gas o eléctricos.
- Para usarse sobre cocinas de 36" (91,44 cm) de ancho como máximo.
- Limpie el filtro de ventilación con cuidado. Los agentes de limpieza corrosivos, como aquellos limpiadores de horno a base de lejía, pueden dañar el filtro.
- Para reducir el riesgo de incendio en la cavidad del horno:
 - No recueza los alimentos. Vigile el electrodoméstico si utiliza papel, plástico u otros materiales combustibles dentro de este para facilitar la cocción.
 - Retire las amarras de alambre de las bolsas de papel o plástico antes de introducirlas en el horno.
 - Si algún material se incendia dentro del horno, mantenga la puerta cerrada, apague el horno y desenchúfelo o corte la corriente en el panel de fusibles o del disyuntor.
 - No utilice la cavidad para almacenar objetos. No deje productos de papel, utensilios de cocina ni alimentos en la cavidad cuando no esté en uso.

GUARDE ESTAS INSTRUCCIONES

PRECAUCIONES PARA EVITAR UNA POSIBLE EXPOSICIÓN A UNA ENERGÍA EXCESIVA DE MICROONDAS

- (a) No intente operar este horno si la puerta está abierta, ya que el funcionamiento con la puerta abierta puede resultar en una exposición nociva a la energía de microondas. Es importante no anular ni alterar los bloqueos de seguridad.
- (b) No coloque ningún objeto entre la cara frontal del horno y la puerta, ni permita que se acumule suciedad ni residuos de productos de limpieza en las superficies de sellado.
- (c) No ponga a funcionar el horno si está dañado. Es muy importante que la puerta del horno cierre de la manera adecuada y que no haya daños en:
 - (1) la puerta (doblada),
 - (2) las bisagras y cerraduras (rotas o flojas),
 - (3) los sellos de la puerta y en las superficies de sellado.
- (d) El horno debe ser reparado o ajustado solo por personal de servicio calificado.

MANTENIMIENTO Y CUIDADO DEL HORNO MICROONDAS

Limpieza general

IMPORTANTE: Antes de limpiar, asegúrese de que todos los controles estén apagados y que el Microondas horno esté frío. Siempre siga las instrucciones de las etiquetas de los productos de limpieza.

En primer lugar, se sugiere el empleo de jabón, agua y una esponja o paño suave, salvo que se indique lo contrario.

ACERO INOXIDABLE Y ACERO INOXIDABLE NEGRO (en algunos modelos)

NOTA: Para evitar daños a las superficies de acero inoxidable, no use estropajos precargados con jabón, productos de limpieza abrasivos, limpiador para superficies de cocción, estropajos de lana de acero, paños de lavar ásperos o toallas de papel abrasivas. Se podrían producir daños en las superficies de acero inoxidable, incluso aunque solo se usen una vez o de forma limitada.

Frote en la dirección de la veta para evitar daños.

Método de limpieza:

- Affresh®† Limpiador de acero inoxidable número de pieza W10355016 (no incluido) o toallitas limpiadoras de acero inoxidable Affresh® número de parte W1055049 (no incluido): Para obtener información sobre pedidos, consulte la Guía de inicio rápido.
- Vinagre para manchas de agua dura.

EXTERIOR DE LA PUERTA DEL HORNO DE MICROONDAS

Método de limpieza:

- Limpiavidrios y un paño o una esponja a suave: Aplique el limpiavidrios en una esponja o paño suave, no directamente sobre el panel.
- Affresh® para cocina y electrodomésticos, número de pieza W10355010 (no se incluye): Para pedirlo consulte la "Información de pedidos en línea" de la Guía de inicio rápido.

REVESTIMIENTO ANTIADHERENTE DE LA CAVIDAD (en algunos modelos)

Para evitar daños en la cavidad del horno de microondas, no use utensilios metálicos o afilados ni raspadores o cualquier tipo de limpiador o estropajo abrasivo.

CAVIDAD DEL HORNO DE MICROONDAS

Para evitar daños en la cavidad del horno de El microondas, no use estropajos precargados con jabón, limpiadores abrasivos, estropajos de lana de acero, paños de lavar ásperos o algunas toallas de papel.

En los modelos de acero inoxidable, frote en la dirección de la veta para evitar daños.

Se debe mantener limpia la zona donde la puerta del horno de microondas entra en contacto con el marco cuando está cerrada.

Método de limpieza:

Suciedad promedio

- Jabones y detergentes suaves, no abrasivos: Enjuague con agua limpia y seque con un paño suave que no deje pelusa.

Suciedad profunda

- Jabones y detergentes suaves, no abrasivos: Caliente una taza (250 mL) de agua durante 2 a 5 minutos en el horno microondas. El vapor ablandará la suciedad. Enjuague con agua limpia y seque con un paño suave que no deje pelusa.

Olores

- Jugo de limón o vinagre: Caliente en el horno de microondas una taza (250 mL) de agua con una cucharada (15 mL) de jugo de limón o vinagre durante dos a cinco minutos.

FILTROS DE GRASA

- Producto de limpieza suave y estropajo
- Lavavajillas

INSTRUCCIONES DE INSTALACIÓN REQUISITOS

Herramientas y piezas

Herramientas necesarias


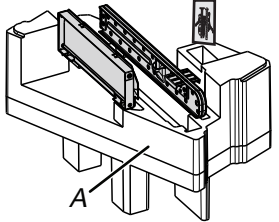

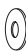




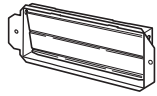

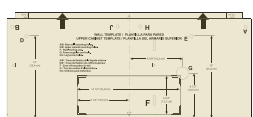
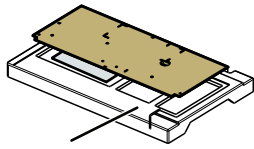
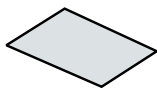
- Cinta métrica
- Lápiz
- Tijeras
- Cinta masking o tachuelas
- Taladro
- Destornillador Phillips n.º 2
- Detector de vigas
- Destornillador Phillips n.º 3 para pernos de 1/4 - 20 x 3" (76 mm)
- Brocas de barrena de 3/16" (5 mm), 3/8" (10 mm) y 5/8" (16 mm)
- Sierra perforadora de 3/4" (19 mm)
- Sierra caladora
- Alicata de corte diagonal para cable
- Llave de cubo (o llave de punta hexagonal) de 7/16" (11 mm) para tirafondos de 1/4" x 2" (6,4 mm x 51 mm)
- Broca de barrena para un orificio de 1 1/2" (38 mm) de diámetro para el gabinete de madera o de metal
- Pistola para calafateo y compuesto para calafateo impermeable
- Cinta para ductos.

Materiales necesarios

- Accesorios estándar para la ventilación a través de la pared o del techo. Consulte la sección "Especificaciones para el diseño de la ventilación".

†Affresh es una marca registrada de Whirlpool, U.S.A.

Piezas necesarias

Pieza	Dibujo	Descripción	Cant.	¿Dónde puedo encontrar?
Paquete de tornillos		Pernos de cabeza redonda de 3/16-24 x 3"	2	 <p>A. Espuma interior en la cavidad</p>
		Pernos de cabeza redonda de 1/4 - 20 x 3"	2	
		Arandelas	2	
		Tuercas de soporte de 3/16"	2	
		Tirafondos de 1/4" x 2"	4	
		Tornillo para metal laminado #6 x 3/8"	2	
		Forro del cable de suministro de energía	1	
Compuerta		Compuerta para ventilación a través de la pared o del techo	1	
Placa de montaje		Placa de montaje doblada, desdoble antes de instalar	1	
Plantilla de cartón		Plantilla del gabinete superior y plantilla de la pared	1	 <p>B. Espuma exterior en el cartón</p>
Paquete de documentación		Documentación	1	

Verifique los códigos locales. Compruebe el suministro eléctrico existente. Consulte "Requisitos eléctricos".

Es recomendable que todas las conexiones eléctricas sean realizadas por un instalador eléctrico competente.

NOTA:

- La tornillería que se enumeran aquí son para vigas de madera. Para otros tipos de estructuras de pared, asegúrese de usar los sujetadores adecuados.
- Asegúrese de comprar únicamente piezas y accesorios Whirlpool certificados de fábrica para su electrodoméstico. Su instalación puede requerir piezas adicionales. Para pedirlo, consulte la "Información de pedidos en línea" que de la Guía de inicio rápido.

Requisitos de ubicación

Verifique la abertura donde se instalará el horno de microondas. La ubicación debe tener:

- Dimensiones de instalación mínimas. Consulte la ilustración "Dimensiones de instalación".
- Al menos una viga para pared de madera de 2" x 4" (51 x 102 mm) y un muro de mampostería o yeso/listón con un espesor mínimo de 3/8" (10 mm) dentro de la abertura del gabinete.
- Soporte para un peso de 150 libras (68 kg), lo cual incluye el horno de microondas y los objetos que se coloquen en su interior, así como en el gabinete superior.
- Un contacto eléctrico conectado a tierra dentro del gabinete superior. Consulte la sección "Requisitos eléctricos".

NOTA:

- Algunos modelos tienen una agarradera. Si va a instalar el horno de microondas cerca de la pared lateral derecha, asegúrese de dejar un espacio de al menos 3 pulgadas entre la pared y el horno de microondas, para que pueda agarrar la manija integrada en el interior de la puerta.
- Algunos gabinetes y materiales de construcción no están diseñados para resistir el calor que produce el horno de microondas durante la cocción. Verifique con el constructor o con el distribuidor de los gabinetes para asegurarse de que los materiales que se usen no cambien de color, se astillen ni sufran otros daños.

Requisitos especiales

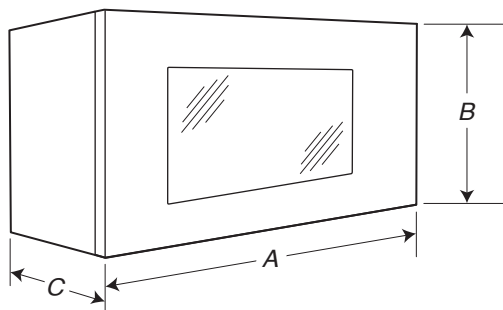
Solo para la instalación con ventilación en la pared:

- El recorte deberá estar libre de cualquier obstrucción para que el tubo de ventilación encaje como es debido y la hoja de la compuerta se abra libremente y por completo.

Solo para la instalación con ventilación en el techo:

- Si usa un tubo de transición de rectangular a redondo, deberá haber un espacio de 3" (76 mm) por encima del horno de microondas, para que la hoja de la compuerta de tiro pueda abrirse libremente y por completo. Consulte la ilustración "Tubo de transición rectangular a redondo" en la sección "Especificaciones para el diseño de la ventilación".

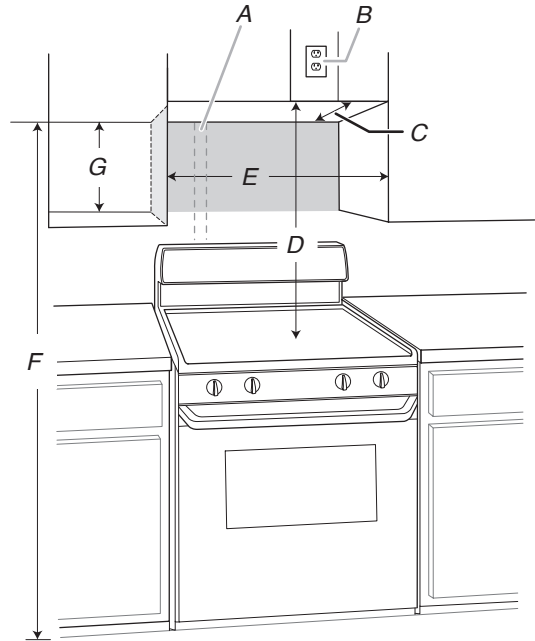
Dimensiones del producto



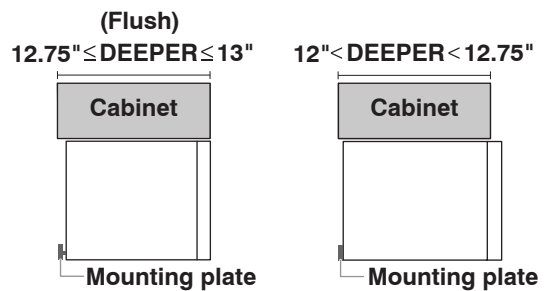
- A. 29⁷/₈" (76,1 cm)
- B. 17⁷/₈" (45,4 cm)
- C. 12¹/₈" (31,3 cm)

Dimensiones de instalación

NOTA: El contacto de pared de conexión a tierra de 3 terminales debe estar dentro del gabinete superior. Consulte la sección "Requisitos eléctricos".



- A. Viga de pared de 2" x 4" (51 mm x 102 mm)
- B. Contacto de 3 terminales con conexión a tierra
- C. Profundidad del gabinete superior (con puerta) 12" (30,5 cm) a 13" (33 cm)***
- D. 36" (91,4 cm) recomendado*
30" (76,2 cm) típico**
- E. 30" (76,2 cm) mínimo
- F. 72" (182,8 cm) recomendado
66" (167,6 cm) mínimo
- G. Superficie posterior plana de 18¹/₄" (46,3 cm) mínimo



Las medidas exactas pueden variar según el tipo de estufa/superficie de cocción que haya debajo.

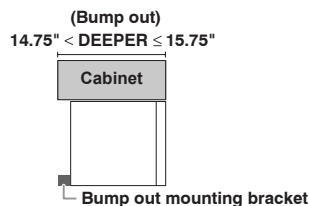
*36" (914 cm) es lo que se recomienda para una altura de instalación de 72" (1828 cm).

**30" (762 cm) es lo típico para una altura de instalación de 66" (1676 cm).

***Gabinetes de 12" (305 mm) a 12,75" (320 mm), el horno de microondas sobresale del gabinete.
Gabinetes de 12,75" (320 mm) a 13" (330 mm), el horno de microondas está al ras del gabinete.

NOTA: Si los gabinetes tienen una profundidad mayor a 14,75" (375 mm) a 15,75" (400 mm), use el kit de montaje sobresaliente para reemplazar la placa de montaje del muro. El kit de montaje sobresaliente (número de pieza W11630300) no se incluye. Para pedirlo, consulte la "Información de pedidos en línea" que de la Guía de inicio rápido.

Para gabinetes de otras dimensiones, se sugiere seleccionar otros productos Whirlpool.



Requisitos eléctricos

⚠ ADVERTENCIA



Peligro de choque eléctrico

Conecte a un tomacorriente con conexión a tierra de 3 terminales.

No quite el terminal de conexión a tierra.

No use un adaptador.

No utilice un cable de extensión.

No seguir estas instrucciones puede ocasionar la muerte, un incendio o un choque eléctrico.

Respete todos los códigos y las ordenanzas vigentes.

Se necesita:

- Un suministro eléctrico de 120 V, 60 Hz, CA solamente, de 15 o 20 A con fusible o disyuntor

Se recomienda:

- Un fusible o un disyuntor retardador
- Un circuito separado que preste servicio solamente a este horno de microondas

INSTRUCCIONES DE CONEXIÓN A TIERRA

Para la conexión de un aparato mediante cable eléctrico conectado a tierra:

Este electrodoméstico debe estar conectado a tierra. En caso de funcionamiento defectuoso o avería, la conexión a tierra reducirá el riesgo de choque eléctrico al proporcionar una vía de menor resistencia para la corriente eléctrica. Este electrodoméstico está equipado con un cable que cuenta con un conductor para la conexión a tierra del equipo y un enchufe de conexión a tierra. El enchufe debe conectarse en un tomacorriente apropiado, que esté debidamente instalado y conectado a tierra de acuerdo con todos los códigos y ordenanzas locales.

ADVERTENCIA: La conexión incorrecta del conductor de conexión a tierra del equipo puede dar como resultado un choque eléctrico. Verifique con un electricista o un técnico de servicio calificado si no está seguro de que la conexión a tierra del electrodoméstico sea la adecuada. No modifique el enchufe provisto con la lavavajillas; si no encaja en el tomacorriente, consulte a un electricista competente para instalar un tomacorriente adecuado.

GUARDE ESTAS INSTRUCCIONES

Este dispositivo cumple con la parte 18 de las reglas de la FCC.

INSTALACIÓN

Preparar la combinación de horno de microondas y campana

⚠ ADVERTENCIA

Peligro de peso excesivo

Use dos o más personas para mover e instalar o desinstalar el electrodoméstico.

No seguir esta instrucción puede ocasionar lesiones en la espalda o de otro tipo.

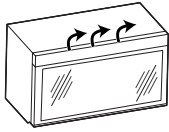
1. Cubra la superficie de trabajo para evitar posibles daños.
2. Retire la plantilla de cartón de la espuma exterior del cartón. Es para el gabinete superior y la instalación de pared.
3. Quite el paquete de tornillos de la espuma interior de la cavidad.
4. Retire la compuerta de la espuma interior de la cavidad.
5. Retire el paquete de documentación de la espuma exterior en el cartón.
6. Retire los materiales de envío, cinta y película del microondas.
7. Retire la placa de montaje de la espuma interior de la cavidad.
8. Aplique cinta adhesiva en la puerta del horno de microondas cerrada para que no se abra mientras se manipula el horno de microondas.

NOTA: Para evitar daños al horno de microondas, no aferre ni use la puerta ni la manija de la puerta mientras manipula el horno de microondas.

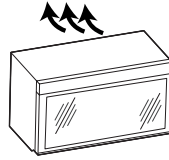
Tipos de instalación

Este horno de microondas está diseñado para adaptarse a los siguientes tres tipos de ventilación, elija un tipo antes de instalar.

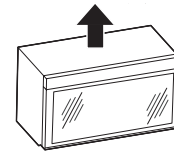
Recirculación
(Ajuste predeterminado de fábrica)



Ventilación a través de la pared

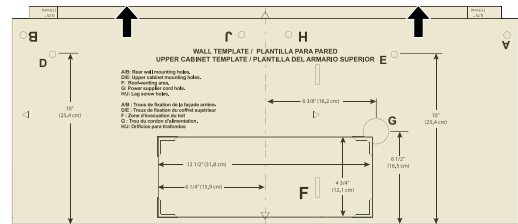


Ventilación a través del techo



Encontrar plantilla de cartón

La plantilla de cartón se usa como plantilla de pared y del gabinete superior. Se encuentra en la forma exterior del cartón. Encuéntrala antes de la instalación.



Encontrar las vigas de pared

NOTA: Si no hay vigas de pared dentro de la abertura del gabinete, no instale el horno de microondas.

Vea las ilustraciones en "Posibles configuraciones de las vigas de pared".

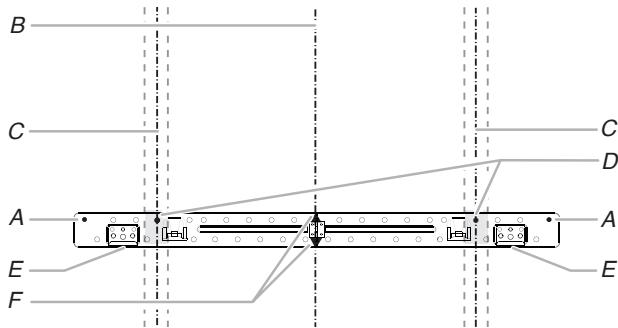
1. Ubique los bordes de las vigas de pared dentro de la abertura con un detector de vigas.
2. Marque el centro de cada viga y trace una línea a plomo hacia abajo desde el centro de cada viga. Vea las ilustraciones en "Posibles configuraciones de las vigas de pared".

Posibles configuraciones de las vigas de pared

Estas representaciones muestran ejemplos de las configuraciones de instalación preferidas con la placa de montaje.

Sin vigas de pared en los orificios de extremo

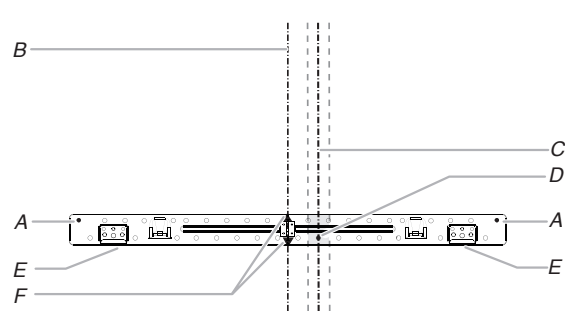
Figura 1



- | | |
|---|--|
| A. Orificios de extremo (en la placa de montaje) | D. Orificios para los tirafondos |
| B. Línea central vertical de la abertura del gabinete | E. Lengüetas de soporte |
| C. Líneas centrales de los pies derechos de pared | F. Marcadores centrales de la placa de montaje |

Sin vigas de pared en los orificios de extremo

Figura 2

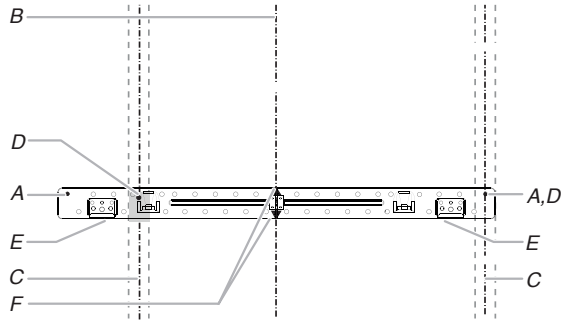


NOTA: si las vigas de pared están a no más de 6" (15,2 cm) de la línea central vertical, solamente se podrá hacer una instalación con recirculación o una instalación con ventilación en el techo.

- | | |
|---|--|
| A. Orificios de extremo (en la placa de montaje) | D. Orificios para los tirafondos |
| B. Línea central vertical de la abertura del gabinete | E. Lengüetas de soporte |
| C. Líneas centrales de los pies derechos de pared | F. Marcadores centrales de la placa de montaje |

Viga de pared en orificios de extremo

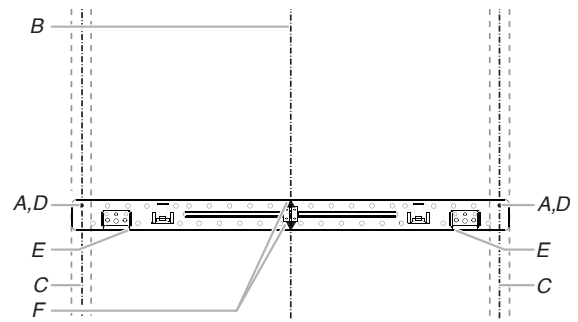
Figura 3



- A. Orificios de extremo (en la placa de montaje)
- B. Línea central vertical de la abertura del gabinete
- C. Líneas centrales de los pies derechos de pared
- D. Orificios para los tirafondos
- E. Lengüetas de soporte
- F. Marcadores centrales de la placa de montaje

Viga de pared en orificios de extremo

Figura 4

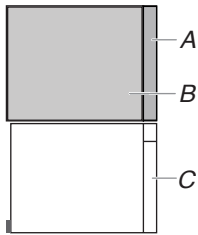


- A. Orificios de extremo (en la placa de montaje)
- B. Línea central vertical de la abertura del gabinete
- C. Líneas centrales de los pies derechos de pared
- D. Orificios para los tirafondos
- E. Lengüetas de soporte
- F. Marcadores centrales de la placa de montaje

Encontrar el punto al ras

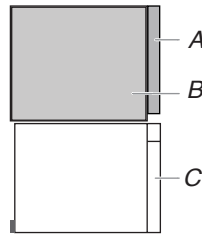
Este producto está diseñado para enrasar el gabinete, y el punto de ras antes de la instalación. No instale el horno de microondas detrás de los gabinetes.

Al ras de la puerta del gabinete



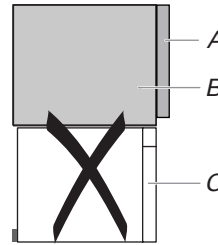
- A. Puerta del gabinete
- B. Gabinete
- C. Puerta del horno de microondas

Al ras de la puerta del gabinete



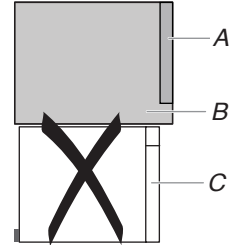
- A. Puerta del gabinete
- B. Gabinete
- C. Puerta del horno de microondas

No instale el horno de microondas al revés



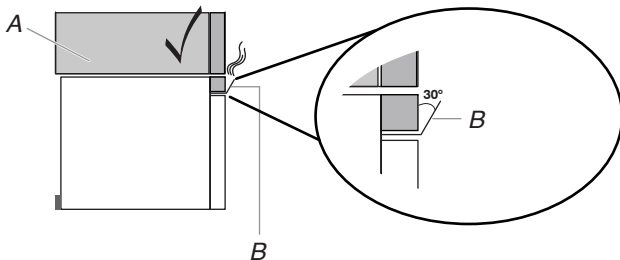
- A. Puerta del gabinete
- B. Gabinete
- C. Puerta del horno de microondas

No instale el horno de microondas al revés

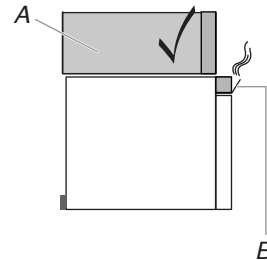


- A. Puerta del gabinete
- B. Gabinete
- C. Puerta del horno de microondas

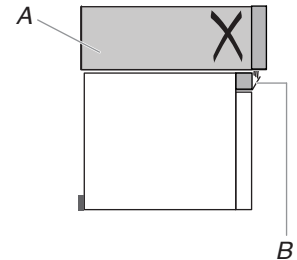
NOTA: El deflector de la parrilla se abrirá automáticamente 30 grados cuando el horno de microondas use la función de ventilación y cocción. No instale el horno de microondas al revés, de otra manera bloqueará la salida de aire.



- A. Gabinete
- B. Deflector

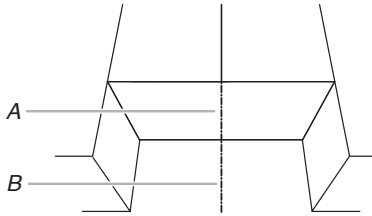


- A. Gabinete
- B. Deflector



Marcar gabinete superior

1. Con la cinta de medir, marque claramente la línea central vertical de la abertura. Asegúrese de que esté alineada con la línea central de la pared vertical.



- A. Línea central del gabinete superior
- B. Línea central de la pared

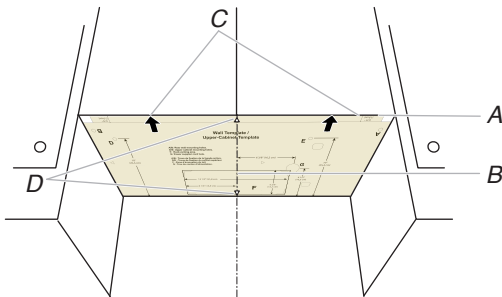
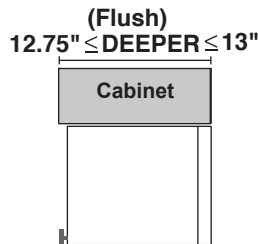
NOTA: La plantilla de cartón es apta para una profundidad de instalación de gabinete de 12" a 13", pero necesita algunos ajustes para diferentes profundidades. Vea los pasos 2 y 3 siguientes.

Si la profundidad de su gabinete es de 12.75" a 13":

2. Coloque la plantilla de cartón contra la base del gabinete superior.

NOTAS:

- Asegúrese de que el borde delantero de la plantilla de cartón se alinee con el borde delantero del gabinete superior.
- Asegúrese de que las marcas centrales en la plantilla de cartón se alineen con la línea central del gabinete superior que se dibujó en el paso 1.

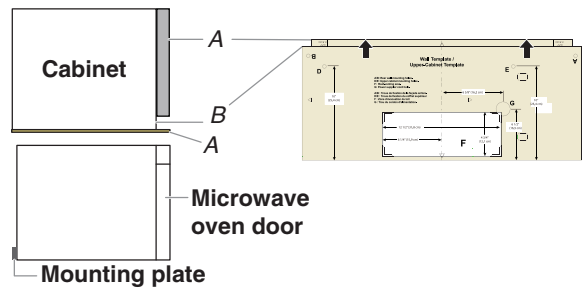


- A. Borde delantero de la plantilla de cartón y borde delantero del gabinete superior
- B. Línea central del gabinete superior
- C. Flechas en la plantilla de cartón
- D. Marcas centrales en la plantilla de cartón

NOTA: Si las puertas del gabinete superior sobresalen del gabinete superior, el cartón puede ajustarse hacia afuera para que quede al ras con la puerta del gabinete superior.

Por ejemplo, la puerta del gabinete superior tiene un grosor de 0,75", puede alinear la plantilla de cartón con una línea de 0,75" con el gabinete superior.

Al ras de la puerta del gabinete



- A. Borde delantero de la plantilla de cartón y puerta del gabinete superior
- B. Gabinete superior y línea de 0,75" de la plantilla de cartón

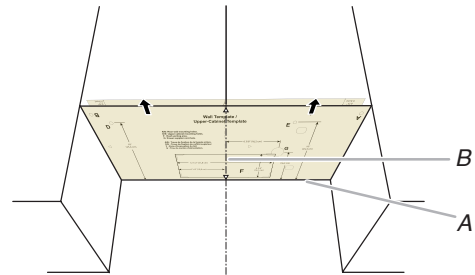
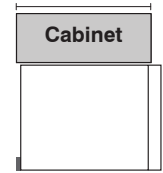
Si su gabinete tiene de 12" a 12,75" de profundidad, siga el paso 3:

3. Coloque la plantilla de cartón contra la base del gabinete superior.

NOTAS:

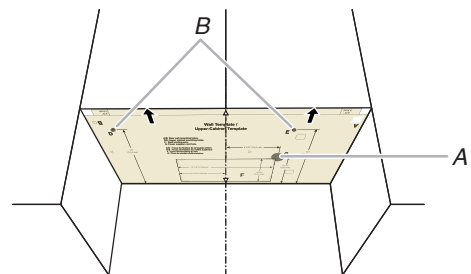
- Asegúrese de que el borde posterior de la plantilla de cartón se alinee con el borde posterior del gabinete superior.
- Asegúrese de que las marcas centrales en la plantilla de cartón se alineen con la línea central del gabinete superior que se dibujó en el paso 1.

12" < DEEPER < 12.75"



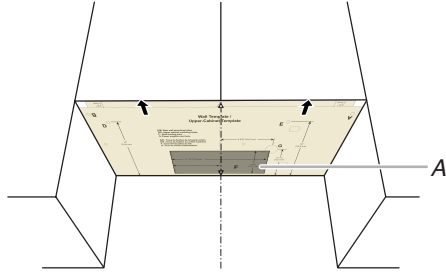
- A. Borde posterior de la plantilla de cartón y borde posterior del gabinete superior
- B. Línea central y marcas centrales del gabinete superior en la plantilla

4. Use un lápiz para marcar un orificio para el cable eléctrico y dos orificios para la tuerca de montaje.



- A. Orificio para el cable eléctrico
- B. Orificios para la tuerca de montaje

- Use un lápiz para marcar un orificio para el gabinete superior. Puede omitir este paso si su unidad utiliza recirculación o una instalación de ventilación a través de la pared.

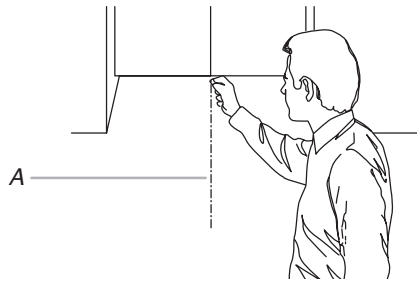


A. Orificio del gabinete superior

Marque la pared posterior

El horno de microondas deberá instalarse como mínimo sobre una viga de pared, preferentemente dos, usando como mínimo un tirafondo, preferentemente dos. Consulte la sección "Encontrar las vigas de pared" para ver dónde se encuentran.

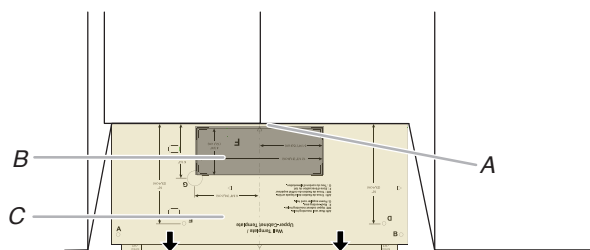
- Con la cinta de medir, ubique y marque claramente la línea central vertical de la abertura.



A. Línea central

- Alinee las marcas centrales de la plantilla de cartón con la línea central en la pared; asegúrese de que esté nivelada y que la parte superior de la plantilla de cartón esté a tope contra el borde posterior del gabinete superior.

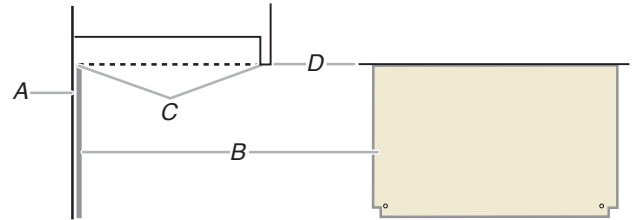
Con un lápiz para marcar el orificio del ducto de escape (solamente para la instalación con ventilación por la pared), omita este paso si su unidad es para recirculación o instalación con ventilación en la pared.



A. Borde posterior del gabinete superior
B. Orificio del ducto de escape
C. Plantilla de cartón

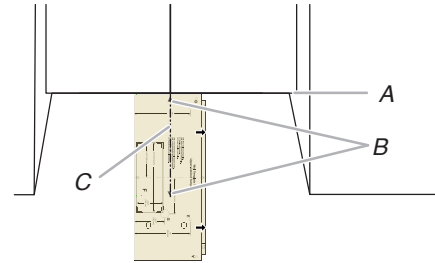
NOTA:

- Si el borde frontal del gabinete superior está más bajo que el borde posterior, baje la plantilla de cartón para que la parte superior quede nivelada con el borde frontal del gabinete.



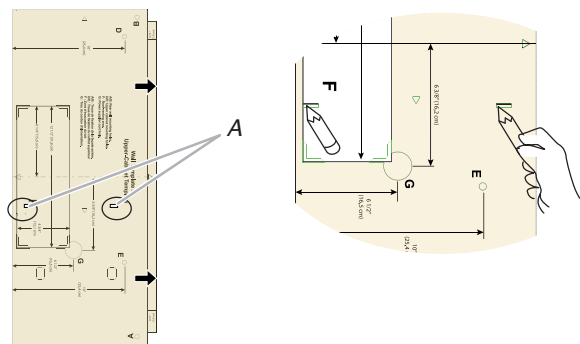
A. Pared posterior
B. Plantilla de cartón
C. La parte superior de la plantilla de cartón debe alinearse con el borde frontal del gabinete
D. Borde frontal del gabinete superior

- Coloque verticalmente la plantilla de cartón, sosteniéndola en su lugar. Alinee la marca central en la plantilla sobre la línea central vertical que dibujó en el paso 1. Asegúrese de que la plantilla de cartón esté nivelada y que la parte superior tope contra el borde inferior del gabinete superior.



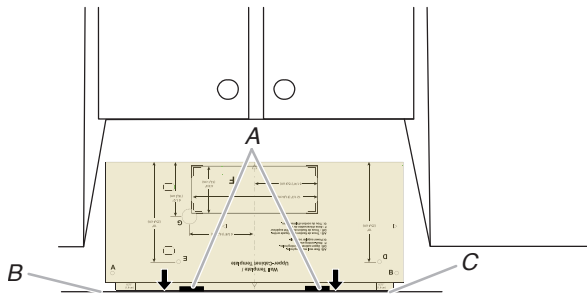
A. Borde inferior del gabinete superior y parte superior de la plantilla de cartón
B. Marcas centrales en la plantilla de cartón
C. Línea central

- Encontrar y dibujar dos líneas pequeñas a través de las dos líneas de posición inferior de la plantilla de cartón.



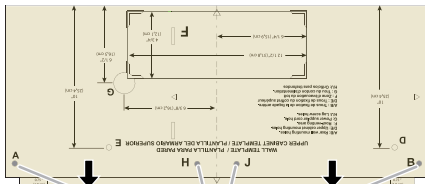
A. Línea de posición inferior de plantilla de cartón

- Con el borde inferior de la plantilla de cartón a lo largo de las dos líneas pequeñas, dibuje una línea inferior de la placa de montaje.



- A. Dos líneas pequeñas
- B. Línea de inferior de plantilla de cartón
- C. Borde inferior de la placa de montaje

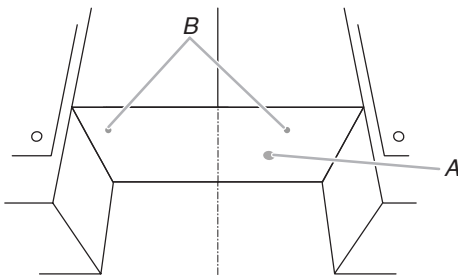
- Dibuja cuatro circuitos pequeños junto con los agujeros A y B y H y J.



A & B & H & J holes

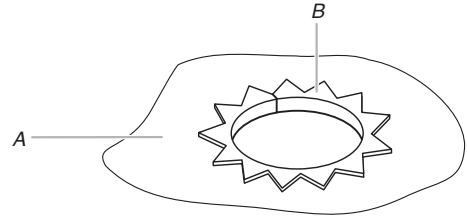
Taladrar los orificios en el gabinete superior

- Con un taladro, recorte el orificio para el cable eléctrico (A).
- Perfore dos orificios para las tuercas de montaje (B), que son orificios de 10 mm (3/8") en los puntos "D" y "E" de la plantilla de cartón. Son para dos pernos de 1/4-20 x 3" y las arandelas que se usan para asegurar el horno de microondas al gabinete superior.



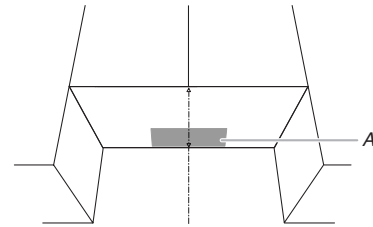
- A. Orificio para el cable eléctrico
- B. Orificios para la tuerca de montaje

NOTA: si el gabinete superior es de metal, el buje del cable de suministro se debe instalar alrededor del orificio del cable de suministro, como se muestra.



- A. Gabinete de metal
- B. Forro del cable de suministro de energía

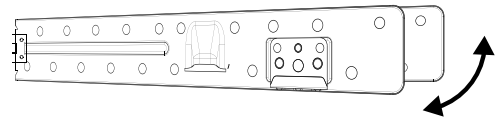
- Corte el área de corte de ventilación del techo rectangular con una sierra caladora. Omite este paso si se trata de una instalación de ventilación de recirculación o ventilación a través del techo.



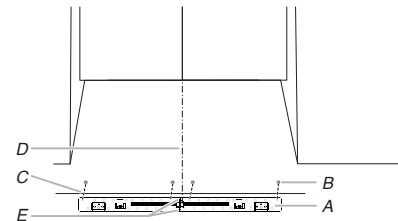
A. Área de recorte de la ventilación a través del techo

Taladre orificios en la pared posterior

- La placa de montaje se encuentra dentro de la espuma interior en la cavidad, sáquela. La placa de montaje está doblada, ábrala a 180 grados en la placa.



- Fije la en la placa de montaje a la pared. Asegúrese de que los cuatro orificios en la placa de montaje se alineen con los orificios A y B y H y J marcados en la sección "Marque la pared posterior". Y que los marcadores del centro de la placa de montaje se alineen con la marca central.



- A. Placa de montaje
- B. Orificios A y B y H y J
- C. Línea posterior de la placa de montaje
- D. Marca central
- E. Marcadores centrales de la placa de montaje

3. Con un taladro, corte los orificios A y B y H y J; si las vigas de la pared no se ubican en los orificios A y B, no taladre los orificios A y B y siga las instrucciones a continuación.

Además de instalar la placa de montaje en al menos una viga de pared, se le debe sujetar a la pared en ambos orificios de extremo. Si los orificios de extremo no están sobre vigas de pared, use dos pernos de cabeza redonda de 3/16-24 x 3" con tuercas de palanca; si 1 orificio de extremo está sobre una viga de pared, use un tirafondo y un perno de cabeza redonda de 3/16-24 x 3" con una tuerca de palanca; o si ambos orificios de extremo se encuentran sobre vigas de pared, use dos tirafondos. A continuación se incluyen tres configuraciones de instalación.

Instalación sin vigas de pared en los orificios de extremo (figuras 1 y 2)

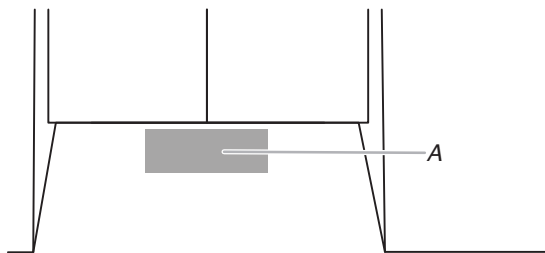
1. Taladre orificios de 5/8" (1,6 cm) a través de la pared en los dos orificios de extremo que se marcaron en el paso 3 de "Marque la pared posterior".
2. Taladre orificios de 3/16" (5 mm) en las vigas de pared en los orificios que se marcaron en el paso 6 de "Marque la pared posterior". Consulte las figuras 1 y 2 en "Posibles configuraciones de las vigas de pared" de la sección "Ubique las vigas de pared".

Instalación para una viga de pared en un orificio de extremo (figura 3)

1. Taladre un orificio de 3/16" (5 mm) a través de la viga de pared en el orificio de extremo que se marcó en el paso 3 de la sección "Marque la pared posterior".
2. Si instala una segunda viga de pared, taladre un orificio de 3/16" (5 mm) a través de la viga de pared en el otro orificio marcado en el paso 6 de "Marque la pared posterior". Consulte la figura 3 en "Posibles configuraciones de las vigas de pared" de la sección "Ubique las vigas de pared".
3. Taladre un orificio de 5/8" (1,6 cm) a través de la pared en el otro extremo.

Instalación para vigas de pared en ambos orificios de extremo (figura 4)

1. Taladre orificios de 3/16" (5 mm) a través de las vigas de pared en los orificios de extremo marcados en el paso 3 de la sección "Marque la pared posterior".
4. Corte el área de corte de ventilación de la pared rectangular con una sierra caladora. Omite este paso si se trata de una instalación de ventilación de recirculación o ventilación a través del techo.



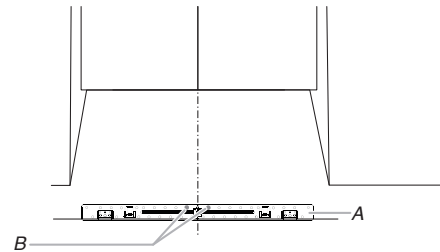
A. Área de recorte de la ventilación a través de la pared

Fije la placa de montaje a la pared

1. Coloque la placa de montaje en la pared.
2. Asegure la placa de montaje a la pared en ambos orificios de extremo perforados en las vigas de pared y/o en la mampostería con pernos de cabeza redonda de 3/16-24 x 3" y tuercas de palanca o con tirafondos de 1/4 x 2".

Consulte las ilustraciones de "Posibles configuraciones de las vigas de pared" en la sección "Ubique las vigas de pared", y las siguientes secciones: "Sin vigas de pared en los orificios de extremo (figuras 1 y 2)" o "Viga de pared en un orificio de extremo (figura 3)".

3. Inserte los tirafondos en ambos orificios de extremo.
4. Controle la alineación de la placa de montaje y asegúrese de que esté nivelada.
5. Fije los dos tornillos del orificio del extremo.
6. Fije la placa de montaje a la pared en los orificios H y J con dos tirafondos de 1/4 x 2".

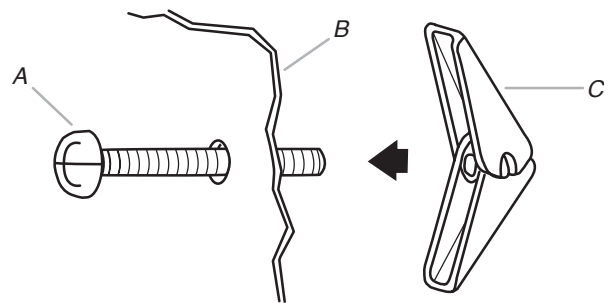


A. Placa de montaje
B. Orificios H y J

Sin vigas de pared en los orificios de extremo (figuras 1 y 2)

NOTA: la placa de montaje se debe asegurar a la pared en al menos una viga de pared y también en ambos extremos.

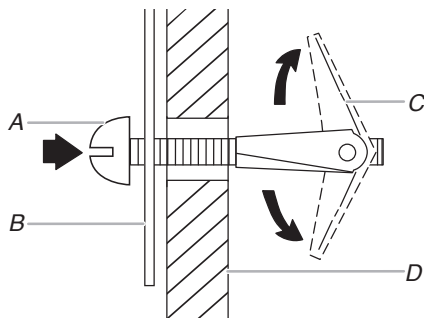
1. Con las lengüetas de soporte de la placa de montaje mirando hacia adelante, inserte pernos de cabeza redonda de 3/16-24 x 3" a través de ambos orificios de extremo de la placa de montaje.
2. Coloque tuercas de palanca en los pernos de la parte posterior de la placa de montaje. Deje suficiente espacio para que las tuercas de ajuste con resorte puedan atravesar la pared y abrirse.



A. Perno de cabeza redonda de 3/16-24 x 3"
B. Placa de montaje
C. Tuerca de ajuste con resorte

3. Coloque la placa de montaje en la pared.

- Empuje los 2 pernos con las tuercas de ajuste con resorte a través de la mampostería y apriete manualmente los pernos para asegurarse que las tuercas se hayan abierto contra la mampostería.



- A. Perno de cabeza redonda de 3/16-24 x 3"
- B. Placa de montaje
- C. Tuerca de ajuste con resorte
- D. Mampostería

- Inserte los tirafondos en los orificios taladrados en las vigas de pared en el paso 2 de "Instalación sin vigas de pared en los orificios de extremo" en la sección "Taladre orificios en la pared posterior".
- Controle la alineación de la placa de montaje y asegúrese de que esté nivelada.
- Apriete bien todos los tirafondos y pernos.

Viga de pared en un orificio de extremo (figura 3)

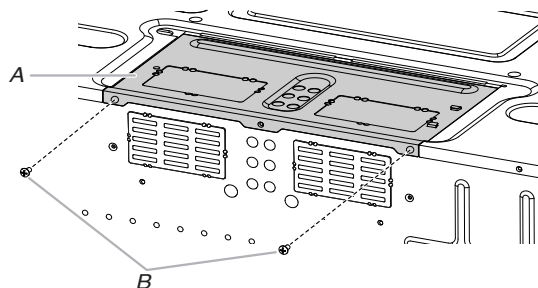
- Con las lengüetas de soporte de la placa de montaje mirando hacia adelante, inserte un perno de cabeza redonda de 3/16-24 x 3" a través del orificio de extremo que encaje en el orificio de 5/8" (16 mm) taladrado en el paso 3 de "Instalación para una viga de pared en un orificio de extremo" en la sección "Taladre orificios en la pared posterior".
- Coloque una tuerca de palanca en el perno de la parte posterior de la placa de montaje. Deje suficiente espacio para que la tuerca de ajuste con resorte puedan atravesar la pared y abrirse.
- Coloque la placa de montaje en la pared.
- Empuje el perno con la tuerca de ajuste con resorte a través de la mampostería y apriete manualmente el perno para asegurarse de que se haya abierto contra la mampostería.
- Inserte un tirafondo en el orificio de extremo restante.
- Si se hace la instalación en una segunda viga de pared, inserte un tirafondo en el otro orificio taladrado en el paso 2 de "Instalación para una viga de pared en un orificio de extremo" en la sección "Taladre orificios en la pared posterior".
- Controle la alineación de la placa de montaje y asegúrese de que esté nivelada.
- Ajuste con firmeza los tirafondos y el perno.

Gire el motor del soplador

Esta sección incluye instalación de ventilación a través de la pared y del techo, ambas instalaciones de ventilación necesitan girar el motor del soplador, seleccione un tipo de ventilación antes de instalar el horno de microondas. Y siga las instrucciones adecuadas para girar el motor del soplador. Si para la instalación de la recirculación, no es necesario girar el motor del soplador, puede saltar esta sección.

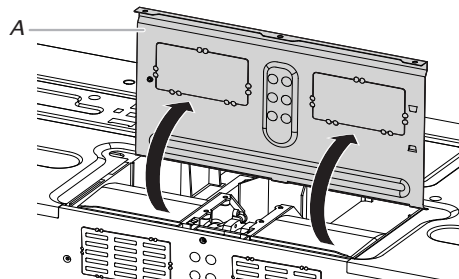
Cómo girar el motor del soplador para la instalación de ventilación a través de la pared

- Retire los tornillos que sujetan la placa de la compuerta a la parte posterior del horno de microondas y deje los tornillos a un lado.



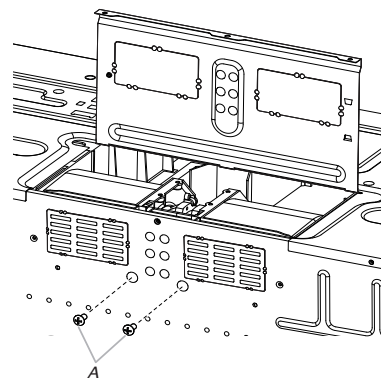
- A. Placa de la compuerta
- B. Tornillos

- Gire y ajuste la placa de la compuerta de manera vertical como se muestra.



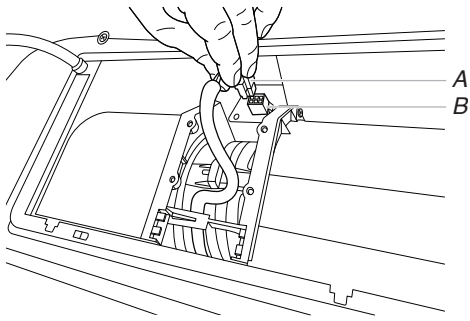
- A. Placa de la compuerta

- Quite los dos tornillos del soplador que sostienen el motor del soplador al horno de microondas y déjelos a un lado.



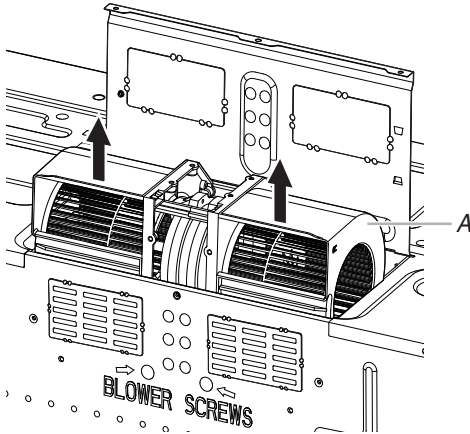
- A. Tornillos del soplador (en orificios embutidos)

4. Desconecte el cable del motor del soplador desde el conector.



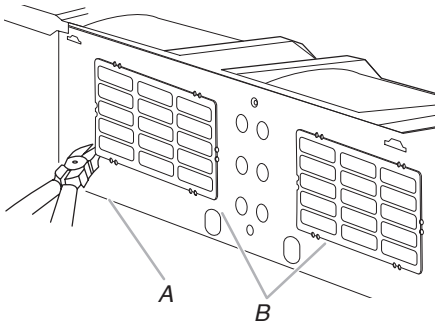
A. Cable del motor del soplador
B. Conector

5. Levante y saque el motor del soplador del horno de microondas y déjelo a un lado.



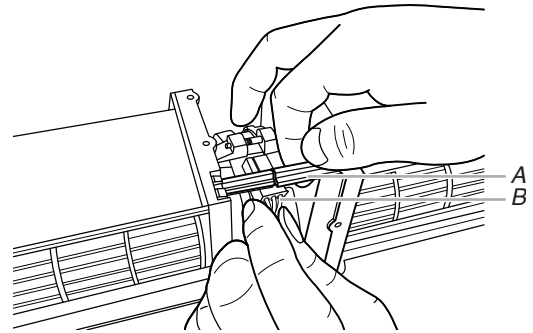
A. Motor del soplador

6. Con un alicate de corte diagonal para cable, recorte con cuidado las cubiertas de las ventilaciones rectangulares de la compuerta en las perforaciones.



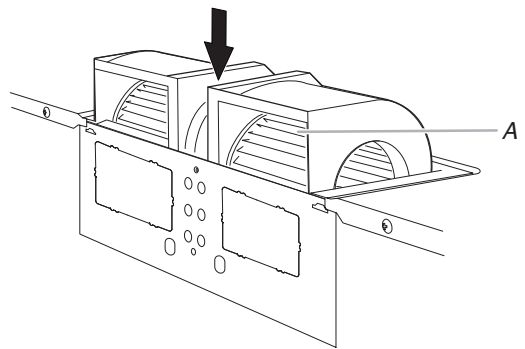
A. Alicata de corte diagonal para cable
B. Cubierta de ventilación rectangular

7. Sostenga el cable del motor del soplador y páselo a través del puente del motor del soplador.



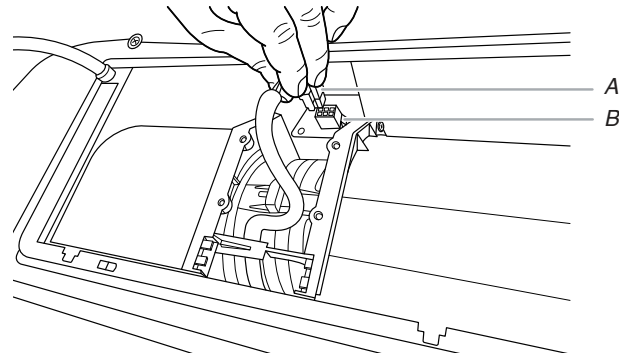
A. Puente del motor del soplador
B. Cable del motor del soplador

8. Baje el motor del soplador nuevamente dentro del horno de microondas. Los orificios de escape deben mirar hacia la parte posterior del horno de microondas.



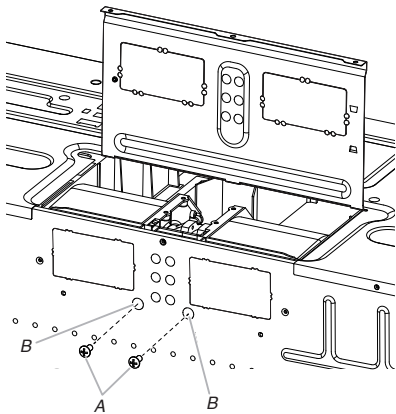
A. Orificio de escape

9. Vuelva a conectar el cable del motor del soplador al conector.



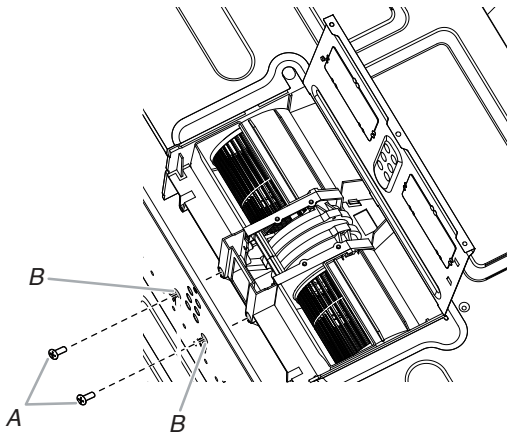
A. Cable del motor del soplador
B. Conector

10. Vuelva a colocar los dos tornillos del soplador en los orificios embutidos en la parte posterior del horno de microondas.



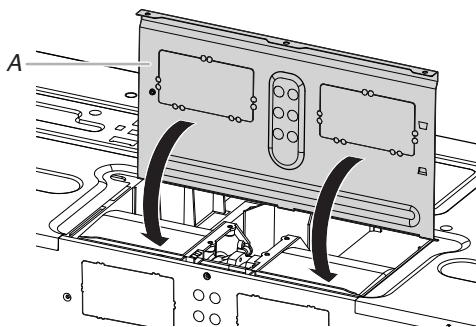
- A. Tornillos
B. Orificios embutidos

11. Controle que los dos tornillos estén asegurados de manera correcta en los orificios para tornillos del motor del soplador, de manera que el motor no pueda moverse.



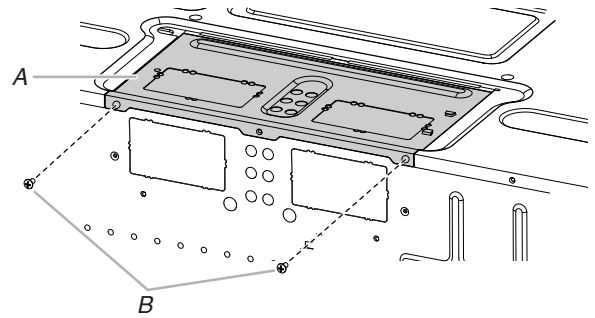
- A. Tornillos
B. Orificios para tornillos del motor del soplador

12. Vuelva a colocar la placa de la compuerta en su posición horizontal original.



- A. Placa de la compuerta

13. Asegure la placa de la compuerta con los dos tornillos que retiró en el paso 1.



- A. Placa de la compuerta
B. Tornillos

⚠ ADVERTENCIA



Peligro de choque eléctrico

Conecte a un tomacorriente con conexión a tierra de 3 terminales.

No quite el terminal de conexión a tierra.

No use un adaptador.

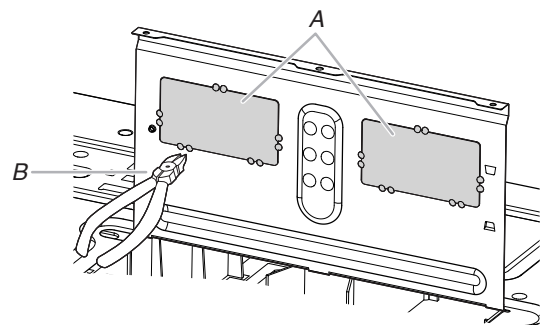
No utilice un cable de extensión.

No seguir estas instrucciones puede ocasionar la muerte, un incendio o un choque eléctrico.

14. Enchufe el horno de microondas. Compruebe si el ventilador produce sonidos anormales, repase los pasos para averiguar cuál omitió.

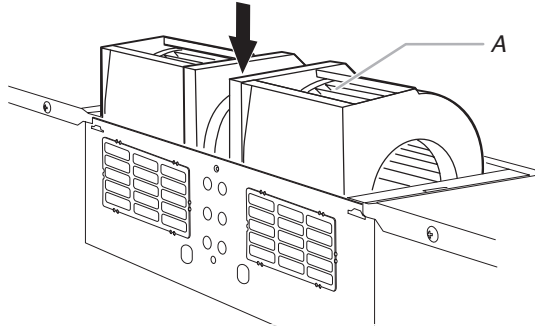
Cómo girar el motor del soplador para la instalación de ventilación a través del techo

1. Repita los pasos 1 a 5 de "Solamente para la instalación con ventilación en la pared".
2. Con un alicate de corte diagonal para cable, recorte con cuidado las cubiertas de las ventilaciones rectangulares de la placa de la compuerta en las perforaciones.



- A. Cubiertas de ventilaciones rectangulares
B. Alicata de corte diagonal para cable

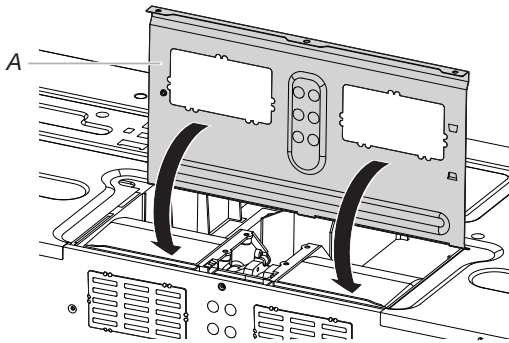
3. Baje el motor del soplador nuevamente dentro del horno de microondas. Los orificios de escape deben mirar hacia el superior del horno de microondas.



A. Orificio de escape

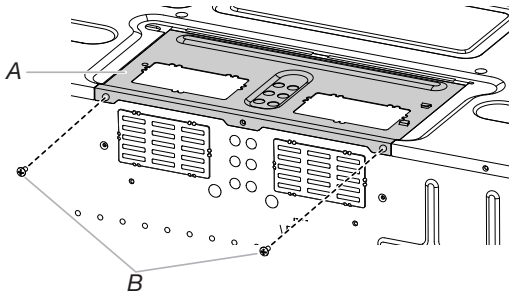
IMPORTANTE: Si el motor del soplador no se coloca con el lado plano mirando hacia la parte posterior del horno de microondas (como se muestra), el rendimiento será deficiente.

4. Vuelva a conectar el cable del motor del soplador al conector.
5. Vuelva a colocar los dos tornillos del soplador en los orificios embutidos en la parte posterior del horno de microondas.
6. Controle que los dos tornillos estén asegurados de manera correcta en los orificios para tornillos del motor del soplador, de manera que el motor no pueda moverse.
7. Vuelva a colocar la placa de la compuerta en su posición horizontal original.



A. Placa de la compuerta

8. Asegure la placa de la compuerta con los dos tornillos que retiró en el paso 1.



A. Placa de la compuerta
B. Tornillos

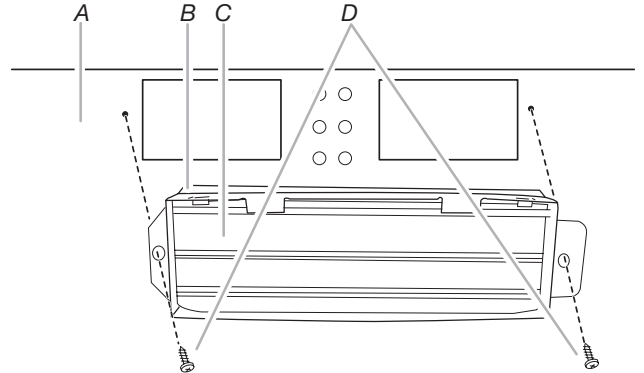
9. Repita el Paso 14 de "Solamente para la instalación con ventilación en la pared".

Instale el conjunto de la compuerta

Si para la instalación de la recirculación, no es necesario instalar el conjunto de la compuerta, puede saltar esta sección. Y guárdela para utilizarla en el futuro.

Instalación del conjunto de la compuerta para ventilación por la pared

1. Verifique que la hoja de la compuerta se mueva libremente y se abra por completo.
2. Ubique el conjunto de la compuerta sobre la parte posterior del horno de microondas de modo que la bisagra de la hoja de la compuerta quede en la parte superior y la hoja se abra alejándose del horno de microondas.



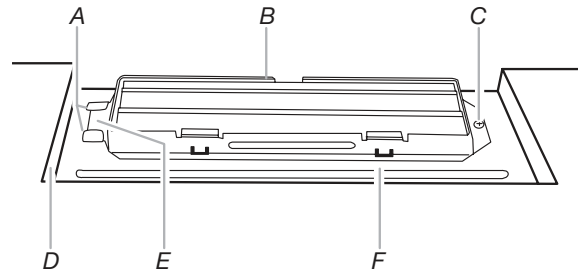
A. Parte posterior del horno de microondas
B. Conjunto de la compuerta
C. Hoja de la compuerta
D. Tornillo para metal laminado #6 x 3/8"

3. Asegure el conjunto de la compuerta de tiro con dos tornillos para metal laminado #6 x 3/8"

Instalación del conjunto de la compuerta para ventilación por el techo

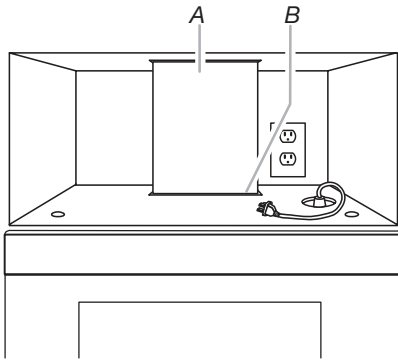
1. Verifique que la hoja de la compuerta se mueva libremente y se abra por completo.
2. Inserte el conjunto de la compuerta a través del recorte del gabinete de manera que la lengüeta larga del conjunto de la compuerta se deslice debajo de las lengüetas con relieve de la placa de la compuerta. Luego, asegúrelo con tornillos para metal laminado #6 x 3/8".

NOTA: El tornillo no podrá instalarse si no se coloca el conjunto de la compuerta como se muestra



A. Lengüetas con relieve
B. Conjunto de la compuerta
C. Tornillo para metal laminado #6 x 3/8"
D. Recorte del gabinete superior
E. Lengüeta larga
F. Placa de la compuerta

3. Conecte el ducto de escape al conjunto de la compuerta.



- A. Ducto de escape
B. Conjunto de la compuerta (debajo del ducto de escape)

Instalación del horno de microondas

⚠ ADVERTENCIA

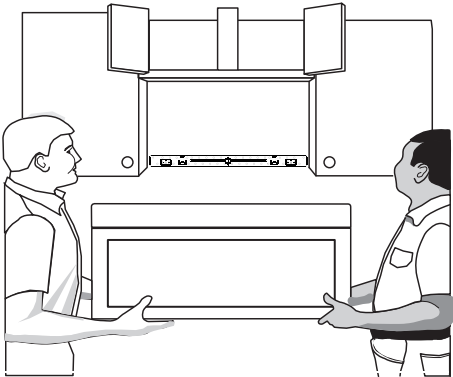
Peligro de peso excesivo

Use dos o más personas para mover e instalar o desinstalar el electrodoméstico.

No seguir esta instrucción puede ocasionar lesiones en la espalda o de otro tipo.

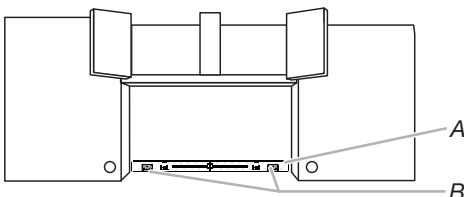
IMPORTANTE: El lado de los controles del horno de microondas es el lado pesado. Manipule el horno de microondas con delicadeza.

1. Coloque una arandela en cada perno de cabeza plana de 1/4– 20 x 3" y colóquelos dentro del gabinete superior cerca de los orificios de 3/8" (10 mm).
2. Asegúrese de que la puerta del horno de microondas esté cerrada y fijada con cinta adhesiva.



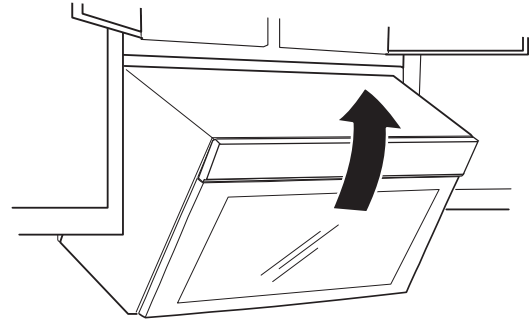
3. Con la ayuda de dos o más personas, levante el horno de microondas y cuélguelo de las lengüetas de soporte en la parte inferior de la placa de montaje.

NOTA: Para evitar daños al horno de microondas, no aferre ni use la puerta mientras manipula el horno de microondas.



- A. Placa de montaje
B. Lengüetas de soporte

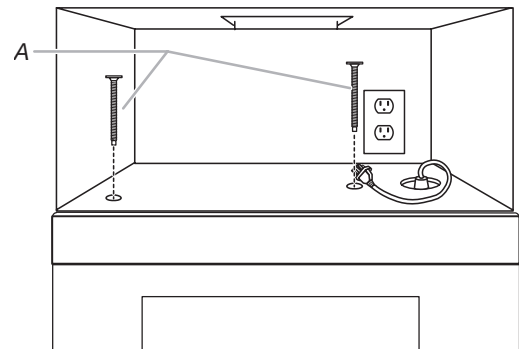
4. Con el frente del horno de microondas todavía inclinado, pase el cable de suministro eléctrico a través del orificio del cable de suministro eléctrico en el fondo del gabinete superior.



5. Gire el horno de microondas para arriba hacia el gabinete superior.
NOTA: Si la ventilación será a través de la pared, asegúrese de que el ensamblaje de la compuerta de tiro encaje con facilidad dentro de la ventilación del recorte de la pared.
6. Empuje el horno de microondas contra la placa de montaje y sosténgalo
NOTA: Si no se necesita ajustar el horno de microondas, omita los pasos 6 a 8.
7. Si es necesario ajustarlo, gírelo hacia abajo. Con la ayuda de dos o más personas, levante el horno de microondas fuera de la placa de montaje y déjelo a un costado sobre una superficie protegida.
8. Afloje los tornillos de la placa de montaje. Apriete la placa de montaje y vuelva a ajustar los tornillos.
9. Repita los pasos 3 a 6.
10. Con el horno de microondas centrado y al menos una persona sosteniéndolo en su lugar, inserte los pernos a través del gabinete superior y dentro del horno de microondas. Apriete los pernos hasta que no haya ningún espacio entre el gabinete superior y el horno de microondas.

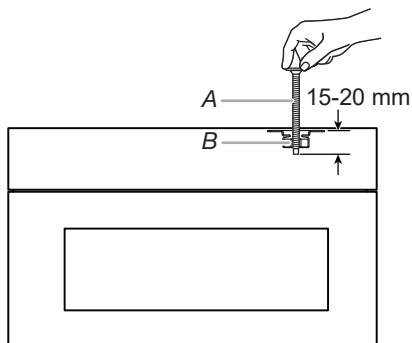
NOTAS:

- Algunos gabinetes superiores pueden necesitar pernos más largos o más cortos que 3" (7,6 cm). Hay disponibles pernos más largos o más cortos en la mayoría de las ferreterías.
- El apriete excesivo de los pernos puede deformar la parte superior del horno de microondas. Para evitar deformaciones, pueden agregarse bloques de madera de filtro (deben ser provistos por el instalador). Los bloques deben tener el mismo espesor que el espacio entre la base del gabinete superior y el horno de microondas.



- A. Pernos

- Evite dañar la tuerca de montaje, apriete los pernos en los orificios de la tuerca de montaje aproximadamente 15–20 mm a mano en primera instancia, y asegúrese de que los pernos se enrosquen adecuadamente. Luego, apriételos con herramientas.



A. Perno
B. Tuerca de montaje

Finalización de la instalación

1. Verifique que todas las piezas estén ahora instaladas. Si sobra alguna pieza, repase todos los pasos para averiguar cuál omitió.
2. Deseche o recicle todo el material de embalaje.

⚠ ADVERTENCIA



Peligro de choque eléctrico

Conecte a un tomacorriente con conexión a tierra de 3 terminales.

No quite el terminal de conexión a tierra.

No use un adaptador.

No utilice un cable de extensión.

No seguir estas instrucciones puede ocasionar la muerte, un incendio o un choque eléctrico.

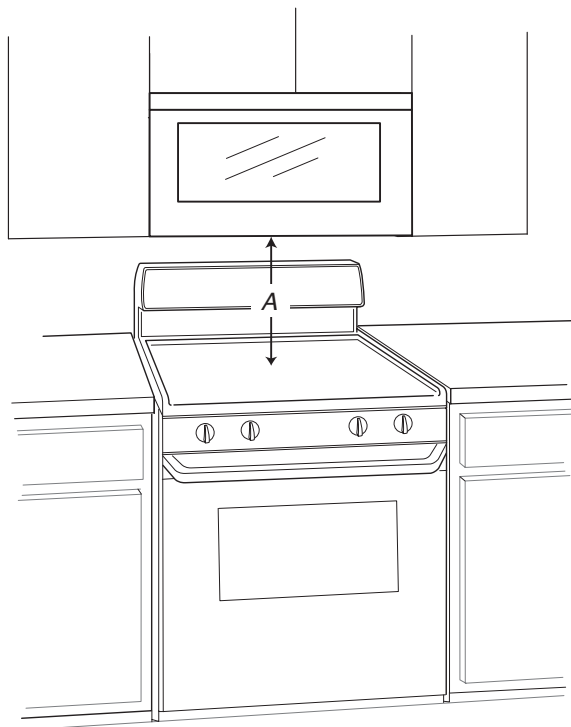
3. Enchufe el horno de microondas a un tomacorriente de pared de tres terminales con conexión a tierra.
4. Reconecte el suministro eléctrico.
5. Para verificar el funcionamiento del horno de microondas, coloque una taza (250 ml) de agua en la cavidad y programe un tiempo de cocción de un minuto al 100 % de potencia. Para probar el ventilador y el escape, haga funcionar el ventilador.
6. Compruebe que la puerta de ventilación si se abre automáticamente.

7. Si el horno de microondas no funciona:

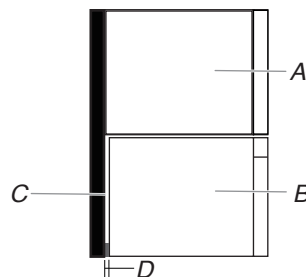
- Verifique que no se haya fundido un fusible o disparado un disyuntor de la casa. Reemplace el fusible o restablezca el disyuntor. Si el problema continúa, llame a un electricista.
- Verifique que el cable del suministro eléctrico esté enchufado en un contacto de pared de tres terminales con conexión a tierra.
- Para obtener información sobre solución de problemas, vea las Instrucciones del usuario.

Se ha completado la instalación.

Conserve las Instrucciones de instalación para uso futuro.



A. 18¹/₈" (46 cm)
12¹/₈" (30,8 cm)



A. Gabinete
B. Horno de microondas
C. Pared o parte posterior del gabinete
D. 0,5"-0,75" (1,3–1,9 cm)

ESPECIFICACIONES PARA EL DISEÑO DE LA VENTILACIÓN

Especificaciones para el diseño de la ventilación

Esta sección está destinada solamente para referencia del diseñador arquitectónico y el constructor/contratista.

NOTAS:

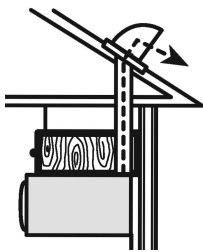
- Los materiales de ventilación necesarios para la instalación no se proveen con la combinación de microondas y campana.
- No recomendamos usar una ventilación de metal flexible.
- Para evitar posibles daños al producto, asegúrese de ventilar el aire hacia el exterior, a menos que se trate de una instalación con recirculación. No ventile el aire de escape en espacios ocultos, como espacios dentro de paredes o techos, desvanes, espacios angostos o garajes.

Para una instalación con ventilación óptima, recomendamos:

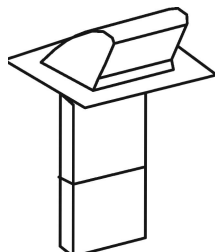
- Usar cubiertas de techo o de pared que tengan compuertas de contracorriente.
- Usar un ducto de ventilación de metal rígido.
- Usar la ruta más directa mediante la reducción al mínimo del largo del ducto de ventilación y el número de codos para proveer un rendimiento eficiente.
- Usar ductos de ventilación de tamaño uniforme.
- Usar cinta para ductos para sellar todas las juntas del sistema de ventilación.
- Usar un compuesto de calafateo para sellar la abertura exterior de la pared o el techo alrededor de la cubierta.
- Para un rendimiento óptimo de la campana, no instalar dos codos juntos.

Si va a tener la ventilación a través de la pared, cerciórese de que haya el espacio adecuado dentro de la pared para poder abrir completamente la compuerta.

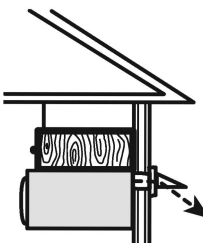
Si la ventilación se hará a través del techo y va a usar un tubo de transición rectangular a redondo, cerciórese de que haya un espacio de al menos 3" (76 mm) entre la parte superior del horno de microondas y el tubo de transición. Consulte la ilustración "Transición rectangular a redondo".



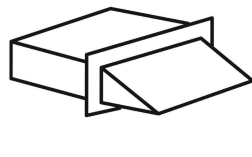
Roof venting



Roof cap



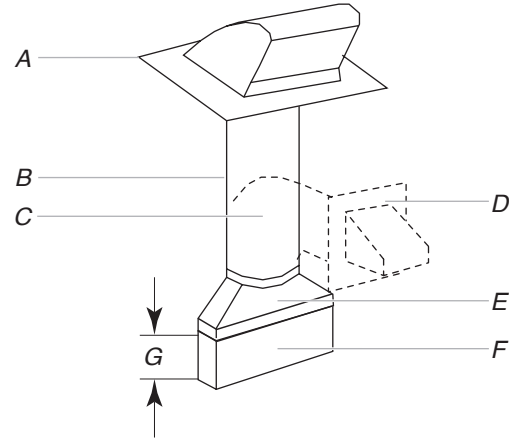
Wall venting



Wall cap

Transición de rectangular a redondo

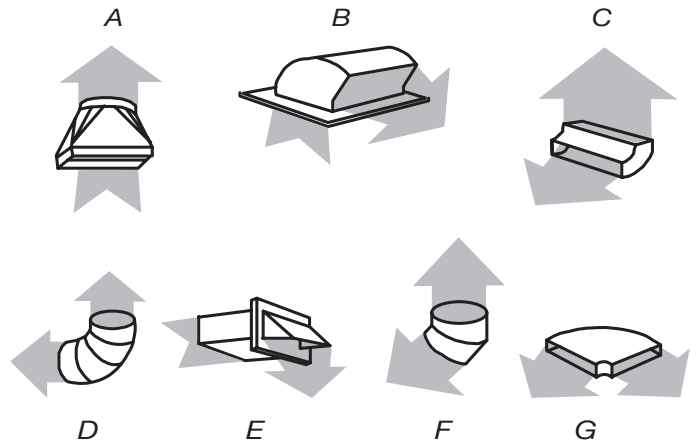
NOTA: Debe haber un espacio mínimo de 3" (76 mm) entre la parte superior del horno microondas y el tubo de ajuste rectangular a redondo para poder abrir la compuerta libre y completamente.



- A. Cubierta para el techo
- B. Ducto de escape redondo con diámetro mínimo de 6" (152 mm)
- C. Codo (solo para la ventilación a través de la pared)
- D. Cubierta para la pared
- E. de transición rectangular a redondo de 3 1/4" x 10" a 6" (83 x 254 mm a 152 mm)
- F. Pieza para la extensión del ducto de ventilación, al menos 3" (76 mm) de altura
- G. 3" (7,6 cm)

Accesorios estándar recomendados

Los siguientes largos equivalentes son para usar cuando se calcule el largo del ducto de ventilación. Consulte los ejemplos en "Largo recomendado del ducto de ventilación".



- A. Pieza de transición de rectangular a redondo: 3 1/4" x 10" a 6" = 5 pies (83 x 254 mm a 152 mm = 1,5 m)
- B. Cubierta para el techo: 3 1/4" x 10" = 24 pies (83 x 254 mm = 7,3 m)
- C. Codo de 90°: 3 1/4" x 10" = 25 pies (83 x 254 mm = 7,6 m)
- D. Codo de 90°: 6" = 10 pies (152 mm = 3 m)
- E. Cubierta para la pared: 3 1/4" x 10" = 40 pies (83 x 254 mm = 12,2 m)
- F. Codo de 45°: 6" = 5 pies (152 mm = 1,5 m)
- G. Codo plano de 90°: 3 1/4" x 10" = 10 pies (83 x 254 mm = 3 m)

Largo recomendado del ducto de ventilación

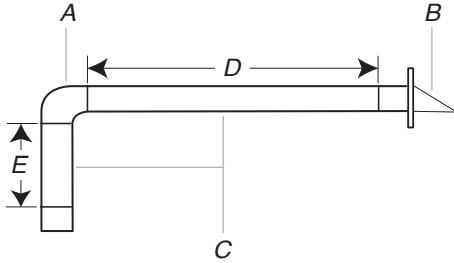
Deberá usarse un ducto de ventilación rectangular de 3¹/₄" x 10" (83 x 254 mm) o uno redondo de 6" (152 mm).

El largo total del sistema de ventilación, incluido el ducto de ventilación recto, los codos, los tubos de transición y las cubiertas de la pared o del techo, no deberá exceder el equivalente a 140 pies (42,7 m) para cualquier tipo de ventilación. Vea la sección "Accesorios estándar recomendados" para los largos equivalentes.

Para un rendimiento óptimo, no use más de tres codos de 90°.

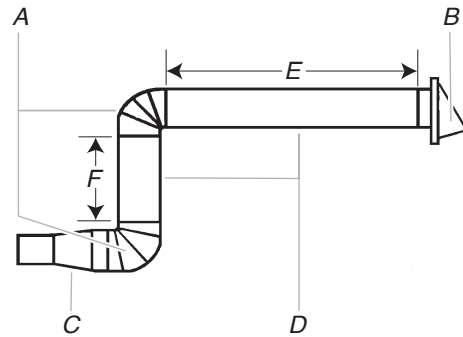
Para calcular el largo del sistema que va a necesitar, agregue el largo equivalente de cada pieza de ventilación que se usará en el sistema. Vea los ejemplos siguientes:

Sistema de ventilación de 3¹/₄" x 10" (83 x 254 mm) = 73 pies (22,2 m) en total



- A. Un codo de 90° de 3¹/₄" x 10" (83 x 254 mm) = 25 pies (7,6 m)
- B. 1 cubierta para la pared = 40 pies (12,2 m)
- C. 2 pies (0,6 m) + 6 pies (1,8 m) recto = 8 pies (2,4 m)
- D. 6 pies (1,8 m)
- E. 2 pies (0,6 m)

Sistema de ventilación de 6" (152 mm) = 73 pies (22,2 m) en total



- A. Dos codos de 90° = 20 pies (6,1 m)
- B. 1 cubierta para la pared = 40 pies (12,2 m)
- C. 1 tubo de transición rectangular a redondo = 5 pies (1,5 m)
- D. 2 pies (0,6 m) + 6 pies (1,8 m) recto = 8 pies (2,4 m)
- E. 6 pies (1,8 m)
- F. 2 pies (0,6 m)

Si el ducto de ventilación existente es redondo, deberá usarse un tubo de transición rectangular a redondo. También deberá instalarse un ducto de escape de extensión rectangular de 3" (7,6 cm) entre el conjunto de la compuerta de tiro y un tubo de ajuste rectangular a redondo para evitar que la compuerta de tiro se adhiera.