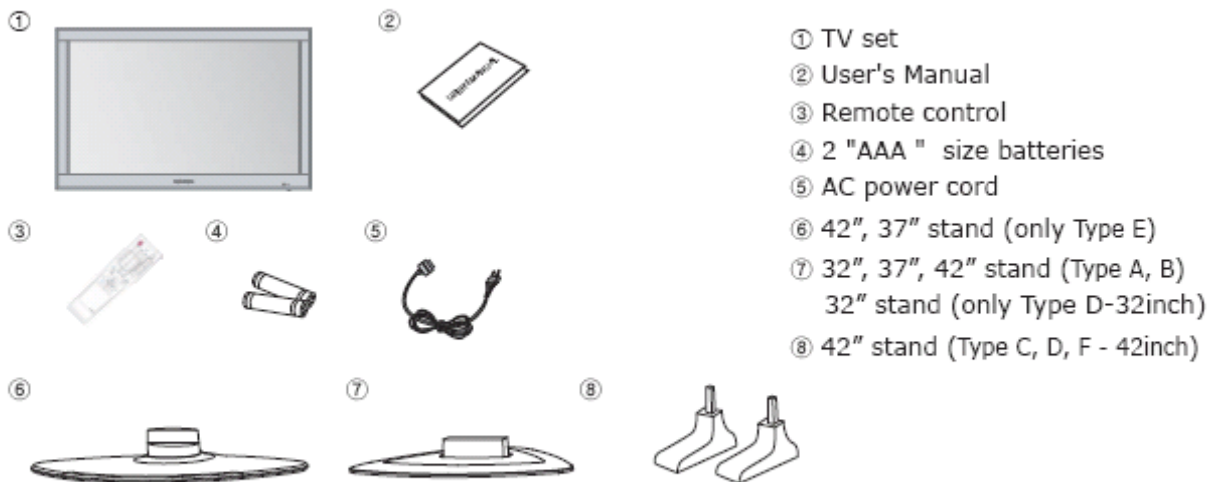


## Appendix 6. Operational Description

### Features

- Menu driven On Screen Display(OSD) for Brightness and Contrast, Sharpness, Hue and Saturation, Channel, PIP(Picture In Picture), Aspect Ratio, Input Source, Audio, Audio Adjust, Language, Function
- IR Remote control for all functions
- Built-in Television Digital Tuner for ATSC(Option)
- Speaker output : 2 channel-Left, Right  
(Built-in speaker / External speaker)
- Selectable Aspect Ratio (14:9, 4:3, Wide, Zoom, Auto wide, Panorama)
- PIP(Picture in Picture), Twin Screen
- Multiple Mounting Options : Wall mount or Stand
- Monitor Composite video Output (Only TV)
- Large Viewing Angle (170°)
- Input Video Sources : PC(Analog RGB)  
 HDMI with DVI-HDCP compatible  
 RS-232(Software Upgrade)  
 Video(AV) Input  
 Component Video Input  
 RF(TV signal) Input

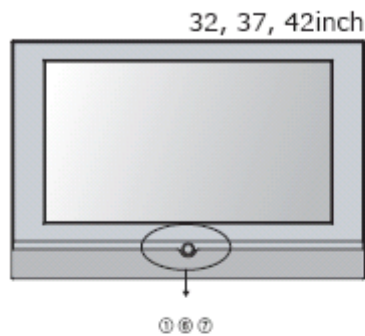
### Package Contents



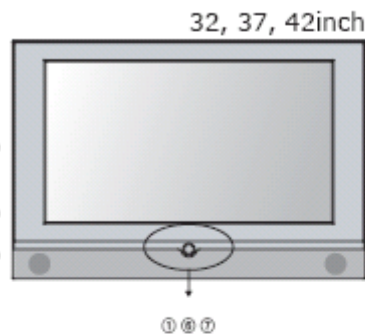
- \*Operating position : Table top or Desk Top
- \* AV Cable is not included in the product package.

## Front Panel Controls

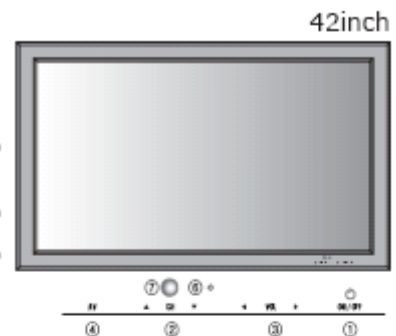
**Type A**



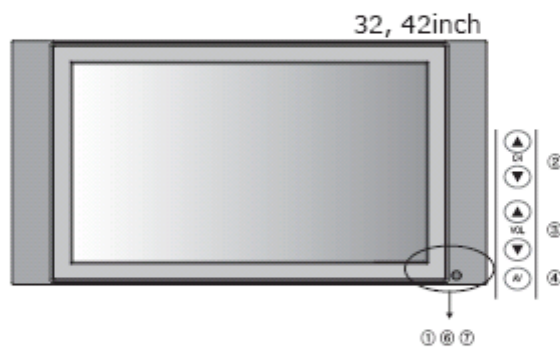
**Type B**



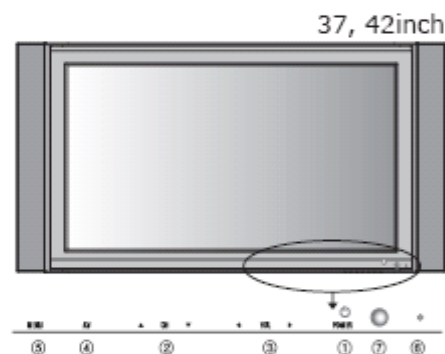
**Type C**



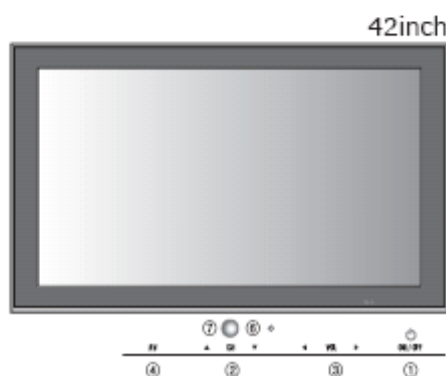
**Type D**



**Type E**



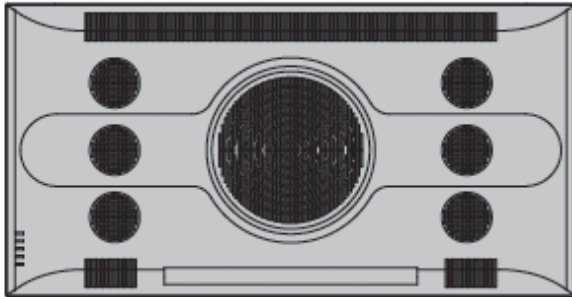
**Type F**



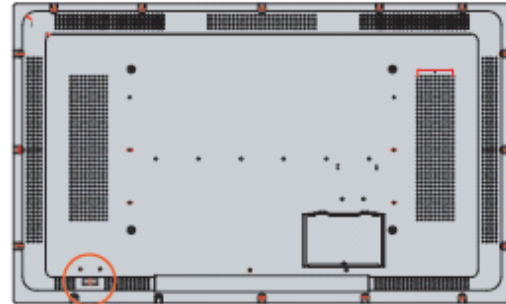
- ① Standby Power ON  
: Touch to turn on(Operation Mode) and off.
- ② Channel UP/DOWN  
: Touch to change the channel at TV mode.
- ③ Volume UP/DOWN  
: Touch to increase and decrease the volume.
- ④ AV : Press to select all available source.
  - i) Press Menu button.
  - ii) Press CH UP/DOWN button to move desired mode.
  - iii) Press Vol UP/DOWN button to select desired mode.
- ⑤ MENU : Touch to Menu
- ⑥ Power Indicator : Red color (Standby mode),  
Blue color (Operation mode)
- ⑦ IR Receiver

## Rear Panel Jacks

Type A, B, D, E

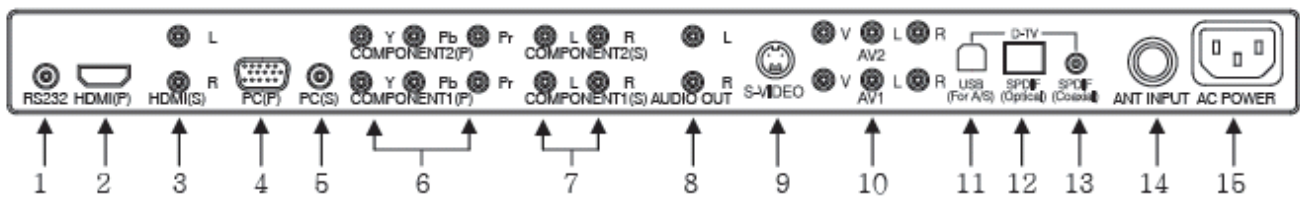


Type C, F

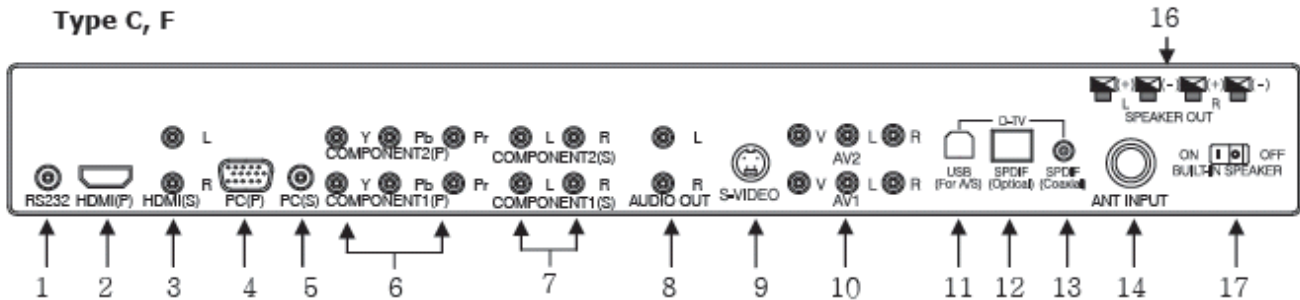


12

Type A, B, D, E



Type C, F

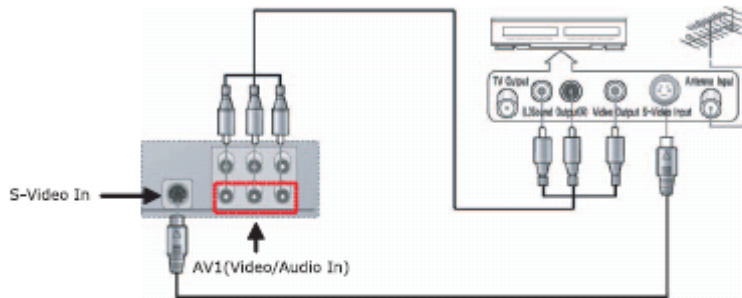


1. RS232 Service Port
2. HDMI with DVI-HDCP
3. Audio Input
4. PC Picture Input(D-Sub 15 pin)
5. PC Audio Input
6. Component 1/2 Picture Input
7. Component 1/2 Sound Input
8. Line Level Audio Out
9. S-Video Input

10. AV1/2 Input
11. USB V2.0(for Service)
12. SPDIF(Optical) Output
13. SPDIF(Coaxial) Output
14. Antenna Input
15. AC Power Input
16. Speaker Output
17. Built-In Speaker Switch

## Connecting VCR

Composite or S-Video Connection



### How to Connect

#### 1. Connecting Guide

- 1.1. Using the Composite Cable: When you connect Audio/Video composite cables, beware of the colors of the jacks. (Video is Yellow, Audio is White and Red)
- 1.2. Using S-Video Cable: If the VCR, you have, supports S-Video Output, connect S-Video Input of the TV to S-Video Output of the VCR and do the same in Sound cable (White and Red).

#### To Watch VCR

1. Turn on the product, press [AV.SEL] button on the remote control to select 'AV' or 'S-Video' mode. (Or press [SOURCE] button to see all the available external connections on the screen and select 'AV' or 'S-Video' mode)
2. Turn on the VCR, insert a video tape then press [Play] button.

## How to Connect

### 1. Connecting Guide

#### 1.1. Using Component Cable (Green, Blue & Red Color).

- Video Connection: Connect the Component Input port of the TV to the Component Output port of the DVD Player / Video Game Machine with the Component cable. The color of the Cable and the In/Out Ports are Green, Blue & Red Color accordingly.
- Sound Connection: Connect the Sound Input port of the TV to the Sound Output Port of the DVD Player / Video Game Machine with Composite cable. The color of Sound Cable and Output Ports are in White and Red. In this case, the sound ports are generally located by the component ports.

\*Component Connection is also required to connect sound L/R properly. If fails, there will be no sound.

#### 1.2. Using HDMI (Source) to HDMI Cable:

**This is only where both of devices have HDMI Port.**

Since HDMI deliver sound signal with its video signal, it does not require any additional sound connections.

#### 1.3. Using DVI (Source) to HDMI Cable: This is applicable if there only DVI output exist on DVD Player / Video Game Machine.

In this case DVI to HDMI Cable can be used to connect each other. Unlike HDMI to HDMI as mentioned in the above, DVI does not deliver sound signal. Additional sound connection should be done.

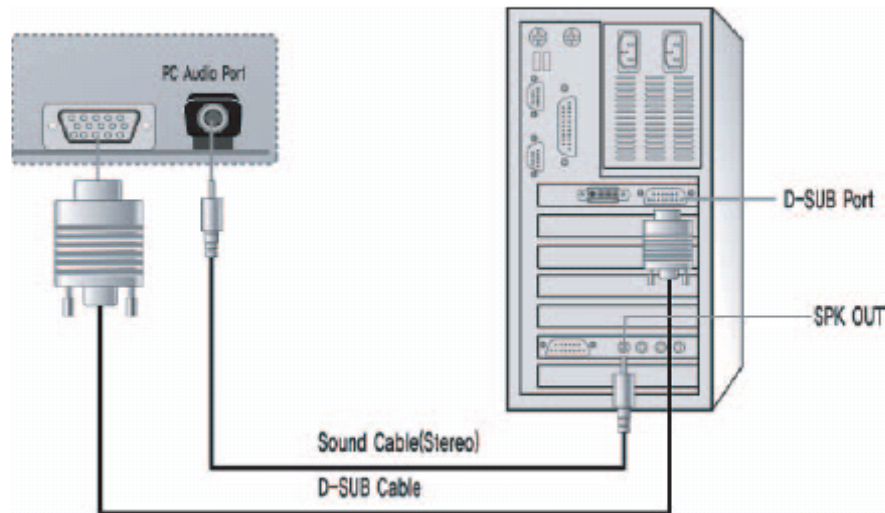
- Video Connection: Connect the HDMI Input port of the TV to the DVI Output port of the DVD Player / Video Game Machine with the DVI to HDMI cable.
- Sound Connection: Connect the Audio In port of the TV to the Audio Out Port of the DVD Player / Video Game Machine with Composite cable. The color of Sound Cable and Output Ports are in White and Red. In this case, the Audio In ports are generally located by the HDMI ports.

## To watch DVD / Play Video Game Machine

1. Turn on the TV and press [AV,SEL] button on the remote control until the connected Input Source is selected.  
(Or press [SOURCE] button to show and select the connected and available external devices on the screen.)
2. Turn on the DVD Player and press [Play] button.

## Connecting a PC

### D-Sub or HDMI Connection



#### How To Connect

##### 1. Connecting Guide

**1.1. Using DVI (Source) to HDMI Cable:** This is applicable if there only DVI output exists on PC. In this case DVI to HDMI Cable can be used to connect each other. Since DVI does not deliver sound signal, additional sound connection should be done.

-Video Connection: Connect the HDMI Input port of the TV to the DVI Output port of the PC with the DVI to HDMI cable.

-Sound Connection: Connect the Audio In port of the TV to the Audio Out port of the PC with Stereo Jack (headphone Jack type) to RCA L/R Cable. The color of Sound Cable and input Ports are in White and Red. In this case, the sound ports are generally located by the HDMI ports.

\*DVI to HDMI Cable is sold separately.

**1.2. Using D-SUB Cable:** The most common way to use TV as a computer monitor

-Video Connection: Connect the D-Sub In port of the TV to the D-Sub Out port of the PC with the D-Sub cable.

-Sound Connection: Connect the Sound In port of the TV to the Sound Out port of the PC with Stereo Jack (Male to Male Headphone Jack Type) Cable. In this case, the sound ports are generally located by the D-Sub ports.

#### To use it as a Computer Monitor

**1. Connected through DVI (Source) to HDMI Cable:** press [SOURCE] button to show and select the connected or available external devices on the screen. Select [HDMI]

**2. Connected through D-SUB Cable:** Turn on and press [PC] button on Remote Control. (Or press [SOURCE] button to show and select the connected or available external devices on the screen. Select [PC])