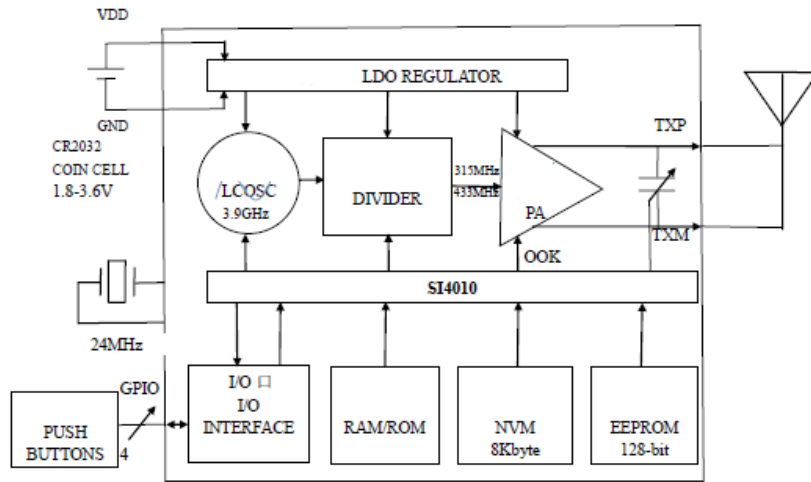


REVISIONS			
REVISION	DESCRIPTION	DATE	APPROVED
*	*	*	*



PROPRIETARY AND CONFIDENTIAL THE INFORMATION CONTAINED IN THIS DRAWING IS THE SOLE PROPERTY OF DORMAN PRODUCTS. ANY REPRODUCTION IN PART OR AS A WHOLE WITHOUT THE WRITTEN PERMISSION OF DORMAN PRODUCTS IS PROHIBITED.		DORMAN PRODUCTS 3400 E. Walnut Street Colmar PA 18915 (215) 997-1800 http://www.DormanProducts.com	
PROJECT: * DORM30 / 99373		TITLE: *	
DRAWN *	NAME *	DATE *	DWG. NO. *
CHECKED *	*	*	REVISION: * SHEET * OF *