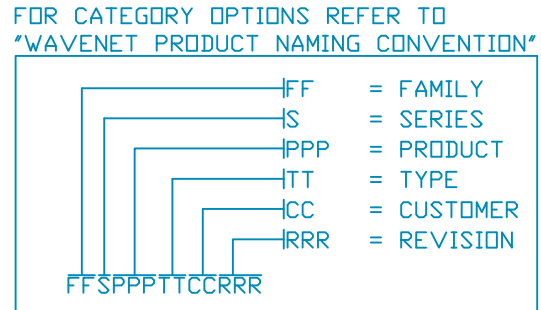


LABEL FONT STYLE: TIMES NEW ROMAN  
 LABEL FONT SIZE (UNLESS OTHERWISE STATED): 1.5MM  
 BARCODE HEIGHT: 3.0MM  
 ALL TEXT AND BARCODES TO BE PRINTED IN BLACK.  
 NOTE: SERIAL AND LLI NUMBERS ARE ONLY PROVIDED FOR REFERENCE HERE AND WOULD BE UNIQUE TO EACH UNIT.  
 BARCODES NOT REQUIRED FOR GENERATING ARTWORK.



Model: DWI-800D  
 Part #: FFSPPTTCCRRR

Serial #: 000/YY/WWXXXX

LLI #: 88888HH

Warning: Do not remove antenna with unit powered on or it may be damaged.

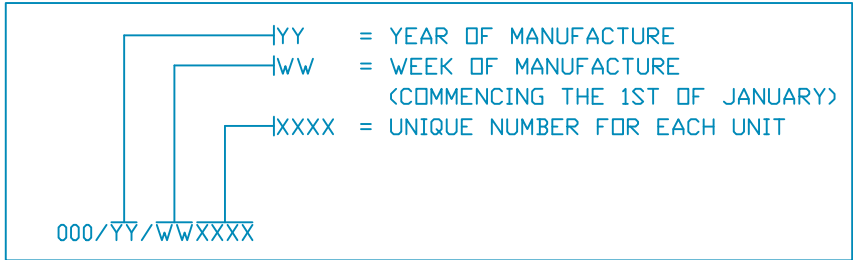
Wavenet Technology Pty Ltd. Made in Malaysia.

Barcode represents Serial number "000/YY/WWXXXX" below.

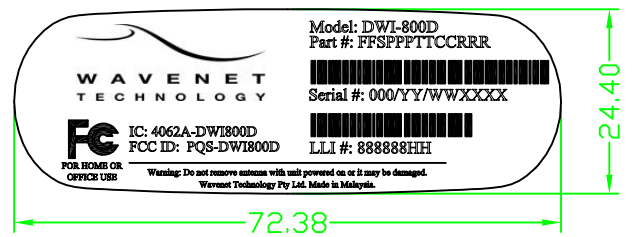
Barcode represents LLI number "88888HH" below.

FONT SIZE = 1.3MM

FONT SIZE = 0.8MM

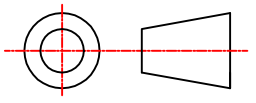


SCALE 1:1



Thickness Tolerance +/- 5%.

No.	MADE BY	DATE	REMARKS
0	TM	04-JUN-03	INITIAL DESIGN
1	CC	07-JUL-03	Changed Model # & added barcode notes.



DIMENSIONS IN MILLIMETRES

MATERIAL:  
 Glue TYPE 0.08MM METALISED FILM

GENERAL TOLERANCES:  
 WHOLE DIMS ±1mm  
 1 DEC ±0.5, 2 DEC ±0.2  
 UNLESS OTHERWISE STATED

FINISH:  
 SILVER OR METALLIC COLOUR (UL APPROVED PRINTING PROCESS)

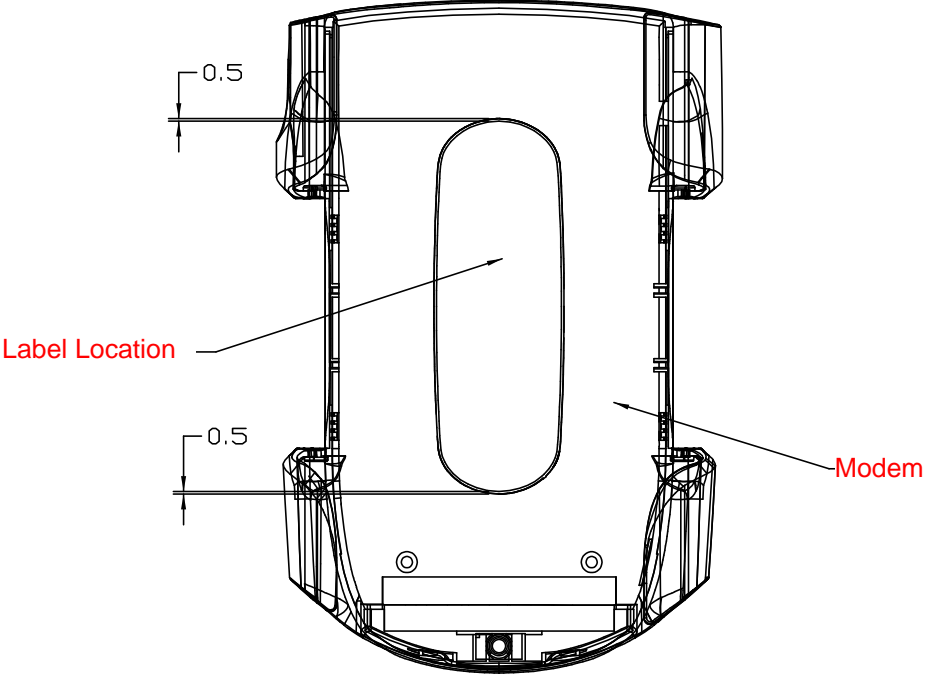
DESIGNED.	C.CORREA
DRAWN.	T.MANNING
CHECKED.	
APPROVED.	
DATE.	04-JUN-03
CAD NO.	
SCALE.	3:1



TITLE  
 DUALWAVE MODEM - I  
 PRODUCT LABEL  
 WAVENET

140 BURSWOOD ROAD,  
 BURSWOOD, 6100 WESTERN AUSTRALIA  
 TEL: +61 8 9262 0200  
 FAX: +61 8 9355 5622  
 COPYRIGHT © 2003

SHEET No.	1	OF	1
DRG. No.	DWI99972WT01	REV.	1



JACKET HOLDER LABEL FITMENT REFERENCE