

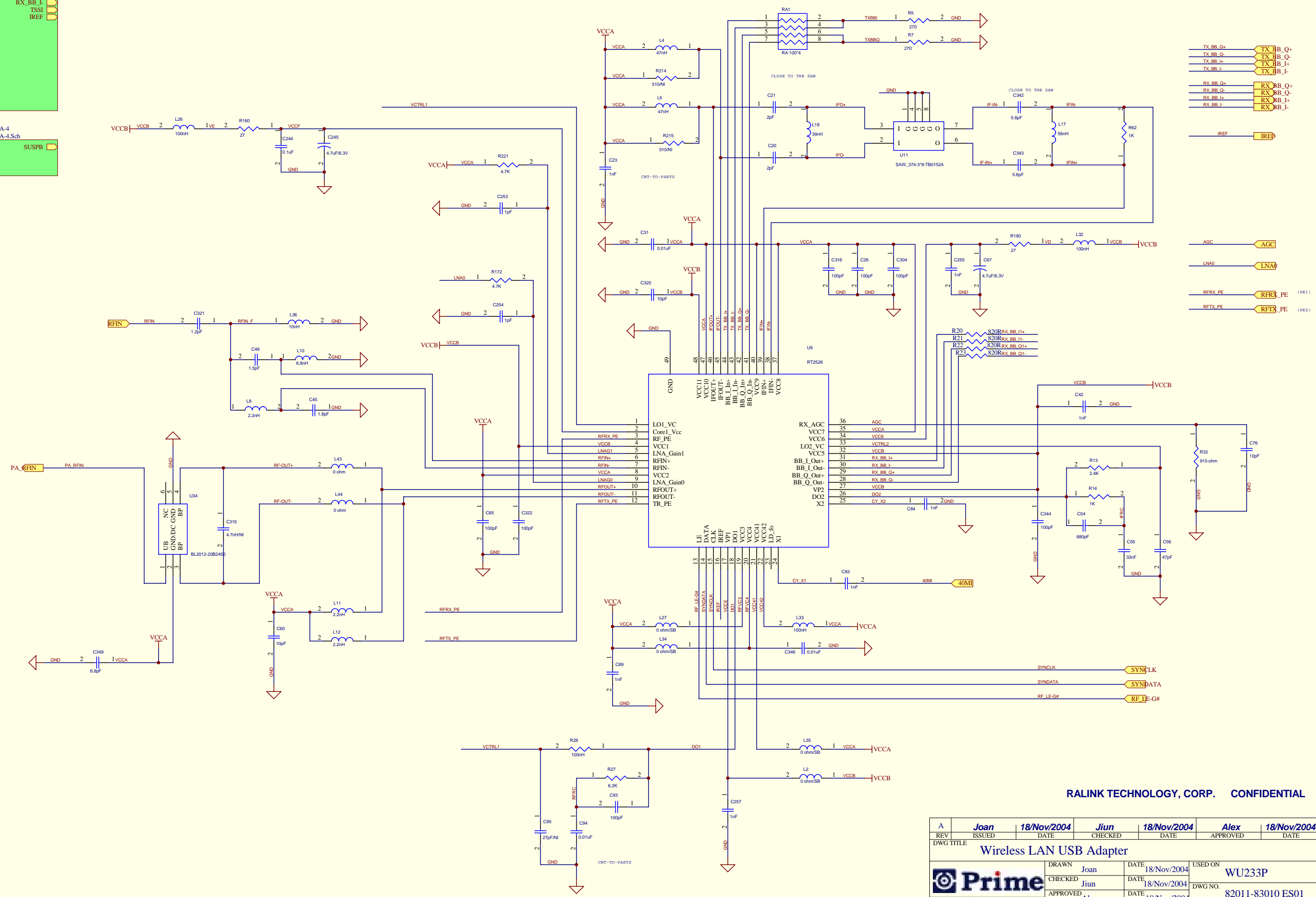
REV	ECO	DESCRIPTION	DATE
A			18/Nov/2004

Component	L4, L5	C20, C21	L18	C342, C343	L17	R62
U11 (SAW Filter)						
TF5374A (Telefilter)	47nH	2.2pF	47nH	8.2pF	56nH	620-ohm
TB0152A (TAI-SAW)	47nH	2pF	39nH	5.6pF	56nH	1K-ohm

- 82011-83010ES01-A-2  
82011-83010ES01-A-2.Sch
- RFIN TR\_SW
  - TSSI TR\_SWN
  - PA\_RFIN PA\_PE\_G
  - PA\_PE\_G

- 82011-83010ES01-A-3  
82011-83010ES01-A-3.Sch
- 40MI RX\_BB\_Q-
  - SUSPB RX\_BB\_I+
  - UDM RX\_BB\_Q+
  - UDP RX\_BB\_I-
  - TX\_BB\_I+ TSSI
  - TX\_BB\_I- IREF
  - AGC
  - TX\_BB\_Q-
  - TX\_BB\_Q+
  - LNA0
  - PA\_PE\_G
  - RF\_LE-G#
  - RFRX\_PE
  - RFTX\_PE
  - TR\_SW
  - TR\_SWN
  - SYNDATA
  - SYNCLK

- 82011-83010ES01-A-4  
82011-83010ES01-A-4.Sch
- UDP SUSPB
  - UDM



- TX\_BB\_Q+ TX\_BB\_Q+
- TX\_BB\_Q- TX\_BB\_Q-
- TX\_BB\_I+ TX\_BB\_I+
- TX\_BB\_I- TX\_BB\_I-
- RX\_BB\_Q+ RX\_BB\_Q+
- RX\_BB\_Q- RX\_BB\_Q-
- RX\_BB\_I+ RX\_BB\_I+
- RX\_BB\_I- RX\_BB\_I-
- IREF IREF
- AGC AGC
- LNA0 LNA0
- RFRX\_PE RFRX\_PE (PE1)
- RFTX\_PE RFTX\_PE (PE2)

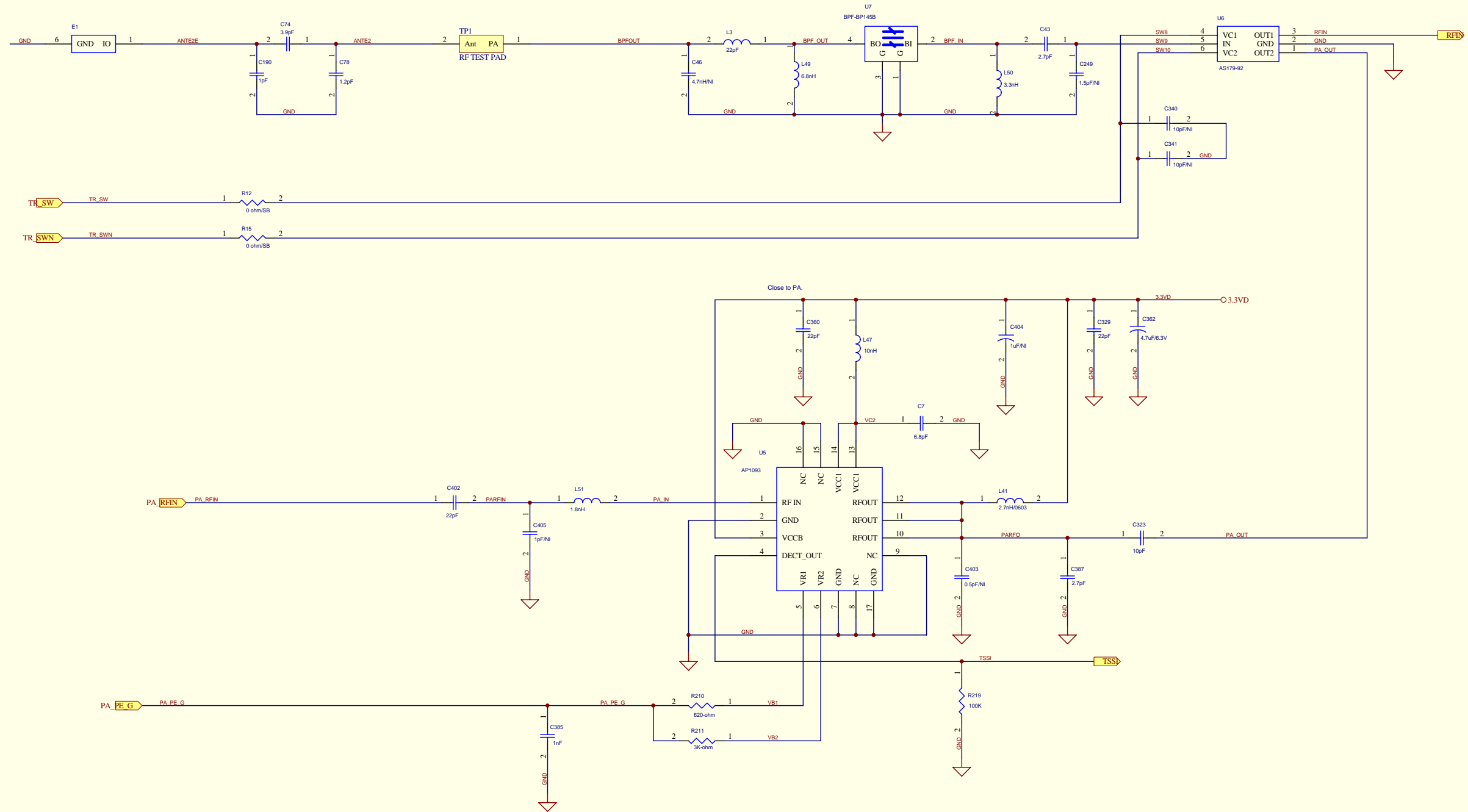
RALINK TECHNOLOGY, CORP. CONFIDENTIAL

REV	ISSUED	DATE	CHECKED	DATE	APPROVED	DATE
A	Joan	18/Nov/2004	Jiun	18/Nov/2004	Alex	18/Nov/2004

DWG TITLE: Wireless LAN USB Adapter

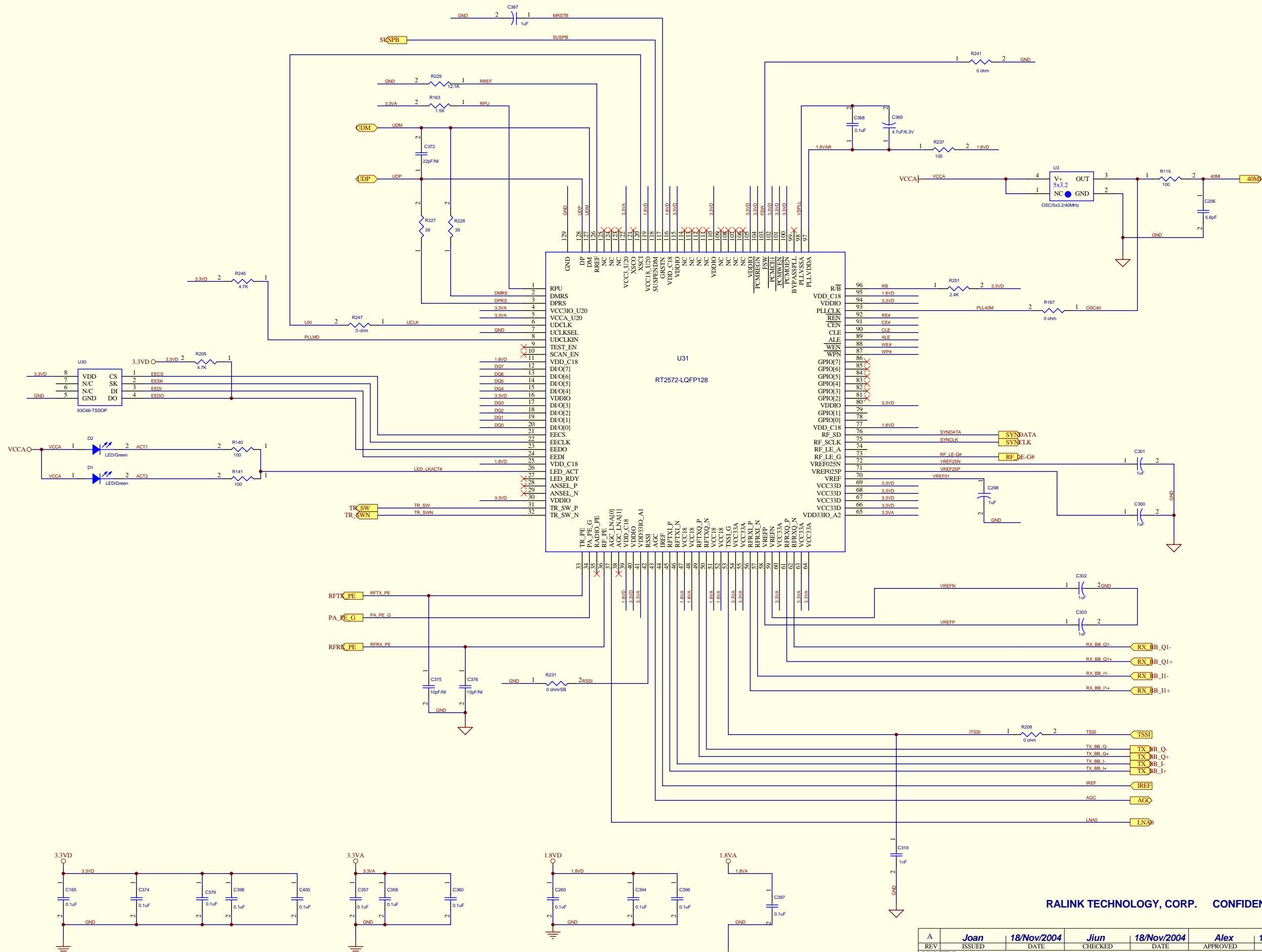
DRAWN	Joan	DATE	18/Nov/2004	USED ON	WU233P
CHECKED	Jiun	DATE	18/Nov/2004	DWG NO.	82011-83010 ES01
APPROVED	Alex	DATE	18/Nov/2004		

Size C Sheet 1 of 4 File Name: D:\PCB(試產)研均\WU233A(41714-83003)\PCB\41714-83003\EL01-A.DDB - Documents\82011-83010ES01-A-1.Sch



RALINK TECHNOLOGY, CORP. CONFIDENTIAL

REV	A	Joan	18/Nov/2004	Jiun	18/Nov/2004	Alex	18/Nov/2004
ISSUED	DATE	CHECKED	DATE	APPROVED	DATE		
DWG TITLE							
Wireless LAN USB Adapter							
DRAWN		Joan	DATE	18/Nov/2004	USED ON		
CHECKED		Jiun	DATE	18/Nov/2004	WU233P		
APPROVED		Alex	DATE	18/Nov/2004	DWG NO.		
					82011-83010 ES01		
Size	C	Sheet 2 of 4					
File Name: D:\PCB(試產)研均\WU233A(41714-83003)\PCB\41714-83003\EL01-A.DDB - Documents\82011-83010ES01-A-2.Sch							



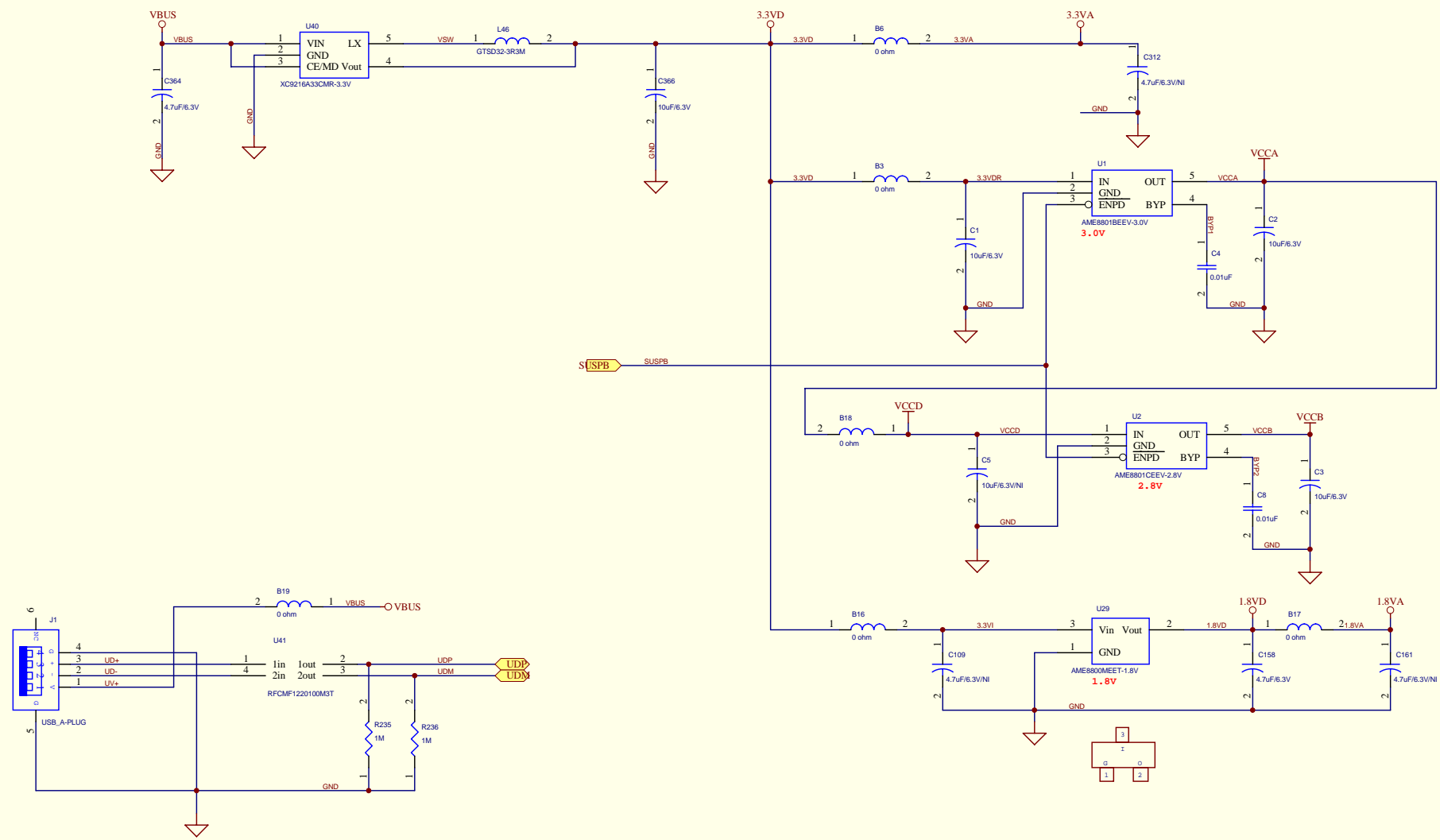
RALINK TECHNOLOGY, CORP. CONFIDENTIAL

REV	ISSUED	DATE	CHECKED	DATE	APPROVED	DATE
A	Joan	18/Nov/2004	Jiun	18/Nov/2004	Alex	18/Nov/2004

DWG TITLE: Wireless LAN USB Adapter

DRAWN	Joan	DATE	18/Nov/2004	USED ON	WU233P
CHECKED	Jiun	DATE	18/Nov/2004	DWG NO.	82011-83010 ES01
APPROVED	Alex	DATE	18/Nov/2004		

Size: C Sheet 3 of 4 File Name: D:\PCB(試產)切均\WU233A(41714-83003)\PCB\41714-83003\EL01-A.DDB - Documents\82011-83010ES01-A-3.Sch



RALINK TECHNOLOGY, CORP. CONFIDENTIAL

REV	A	Joan	18/Nov/2004	Jiun	18/Nov/2004	Alex	18/Nov/2004
ISSUED	DATE	CHECKED	DATE	APPROVED	DATE		
DWG TITLE							
Wireless LAN USB Adapter							
DRAWN		Joan	DATE	18/Nov/2004	USED ON		
CHECKED		Jiun	DATE	18/Nov/2004	WU233P		
APPROVED		Alex	DATE	18/Nov/2004	DWG NO.		
					82011-83010 ES01		
Size	C	Sheet 4 of 4		File Name: D:\PCB(試產)切均\WU233A(41714-83003)\PCB\41714-83003\EL01-A.DDB - Documents\82011-83010ES01-A-4.Sch			