

82011-83006ES01-A-2
82011-83006ES01-A-2.Sch

82011-83006ES01-A-3
82011-83006ES01-A-3.Sch

82011-83006ES01-A-4
82011-83006ES01-A-4.Sch

82011-83006ES01-A-4
82011-83006ES01-A-4.Sch

C

B

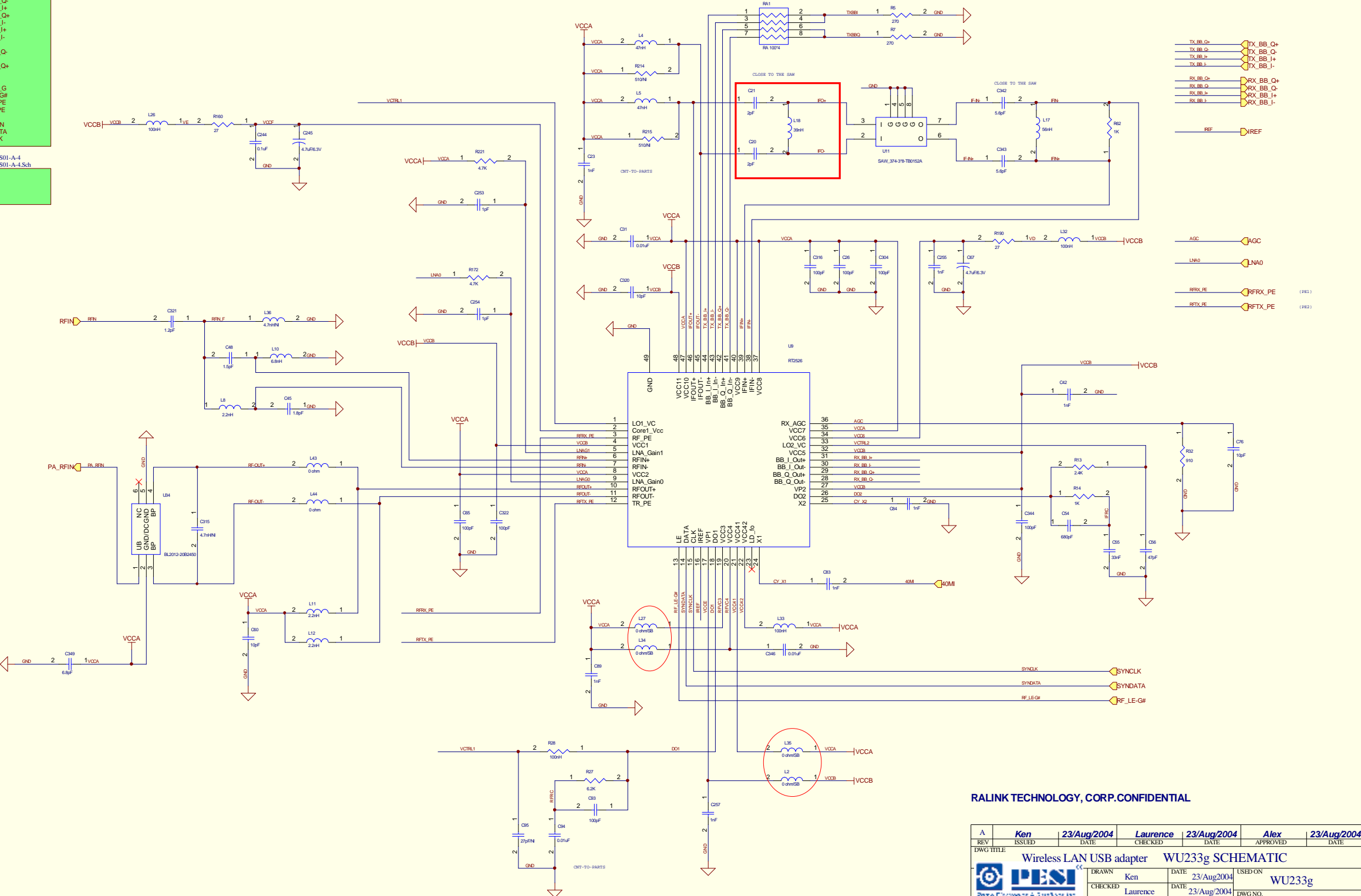
A

PER00009A

1 2 3 4 5 6

REVISION RECORD			
REV	ECO	DESCRIPTION	DATE
A			23/Aug/2004

U11 (SAM Filter)	L4, L5	C20, C21	L18	C342, C343	L17	R62
TFS374A (Telefilter)	47nH	2.2pF	47nH	8.2pF	56nH	620-ohm
TB0152A (TAI-SAW)	47nH	2pF	39nH	5.6pF	56nH	1K-ohm



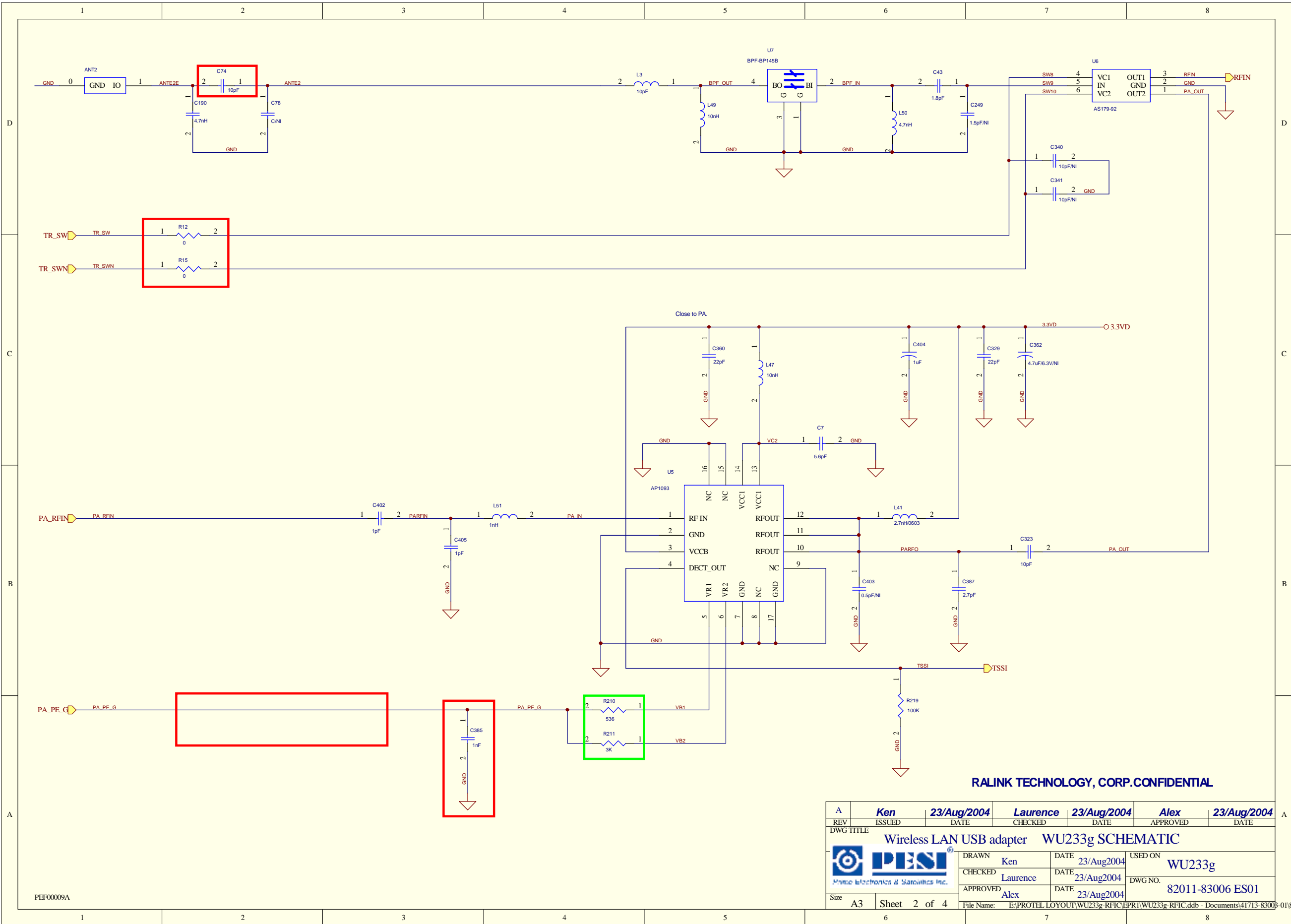
RALINK TECHNOLOGY, CORP. CONFIDENTIAL

REV	ISSUED	DATE	CHECKED	DATE	APPROVED	DATE
A	Ken	23/Aug/2004	Laurence	23/Aug/2004	Alex	23/Aug/2004

DWG TITLE: Wireless LAN USB adapter WU233g SCHEMATIC

DRAWN	Ken	DATE	23/Aug/2004	USED ON	WU233g
CHECKED	Laurence	DATE	23/Aug/2004	DWG NO.	82011-83006 ES01
APPROVED	Alex	DATE	23/Aug/2004		

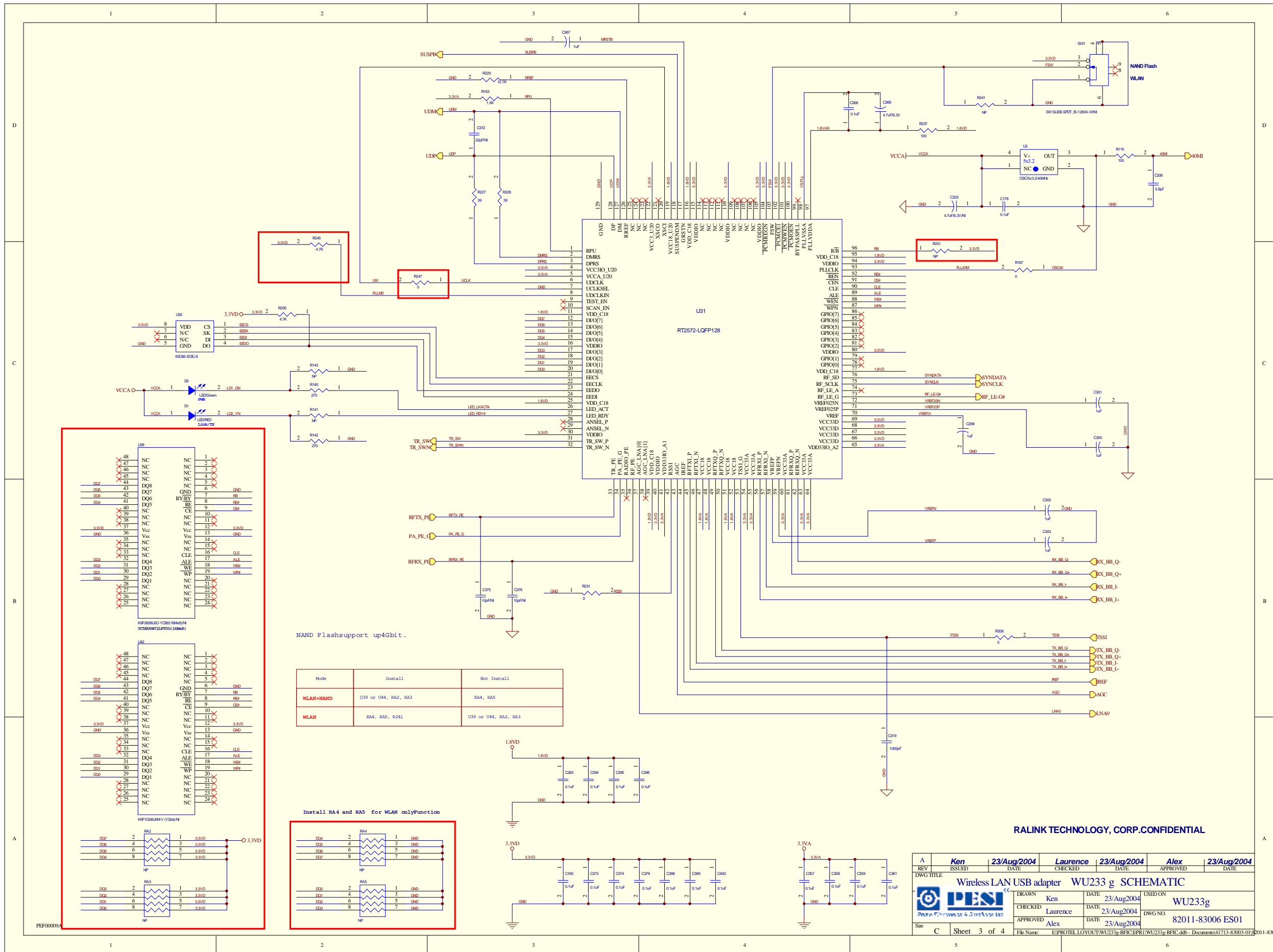
File Name: E:\PROJ\LOU\WU233g-RFC\FR1\WU233g-RFC.dwg - Documents\41713-83003-01\82011-83006ES01-A-1.Sch



RALINK TECHNOLOGY, CORP. CONFIDENTIAL

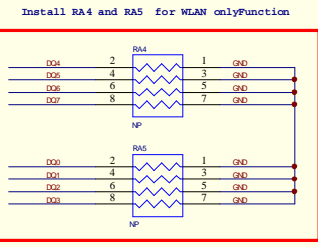
REV	Ken	23/Aug/2004	Laurence	23/Aug/2004	Alex	23/Aug/2004
ISSUED	DATE	CHECKED	DATE	APPROVED	DATE	
DWG TITLE						
Wireless LAN USB adapter WU233g SCHEMATIC						
DRAWN		Ken	DATE	23/Aug/2004	USED ON	
CHECKED		Laurence	DATE	23/Aug/2004	WU233g	
APPROVED		Alex	DATE	23/Aug/2004	DWG NO.	
					82011-83006 ES01	
Size	A3	Sheet 2 of 4		File Name: E:\PROTEL LOYOUT\WU233g-RFIC\EPR1\WU233g-RFIC.ddb - Documents\41713-83006-01\82011-83006ES01-A-2.Sch		

PEF00009A



NAND Flash support up4Gbit.

Mode	Install1	Not Install1
WLAN+NAND	U39 or U44, RA3	RA4, RA5
WLAN	RA4, RA5, RA21	U39 or U44, RA2, RA3



RALINK TECHNOLOGY, CORP. CONFIDENTIAL

REV	ISSUED	DATE	CHECKED	DATE	APPROVED	DATE
A	Ken	23/Aug/2004	Laurence	23/Aug/2004	Alex	23/Aug/2004

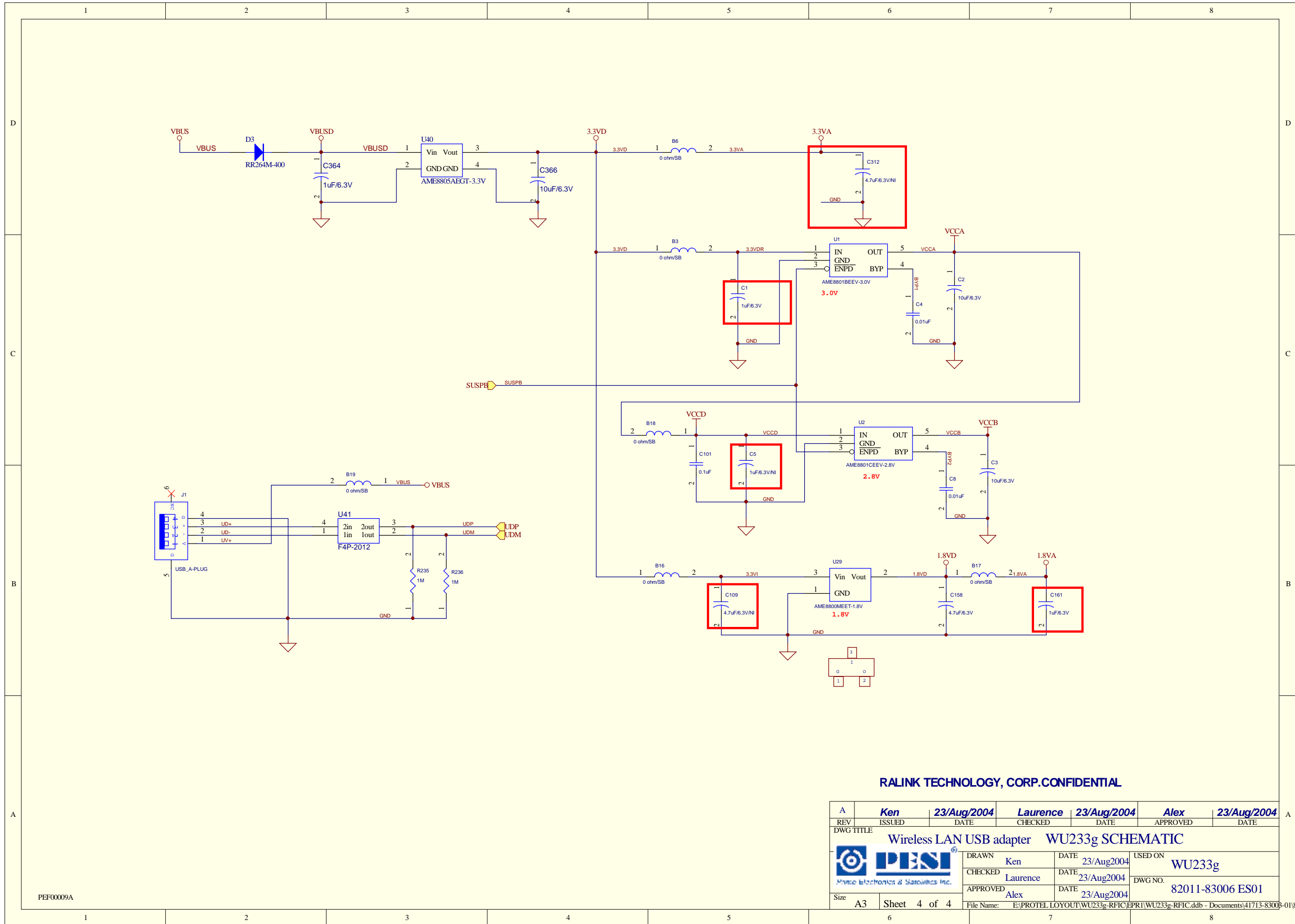
DWG TITLE: Wireless LAN USB adapter WU233 g SCHEMATIC

DRAWN	DATE	USED ON
Ken	23/Aug/2004	WU233g

CHECKED	DATE	DWG NO.
Laurence	23/Aug/2004	82011-83006 ES01

APPROVED	DATE
Alex	23/Aug/2004

File Name: E:\PROJ\LOU\WU233g-RFC\PRU\WU233g-RFC-Adj - Documents\41713-83001-01\82011-83006ES01-A-3.Sch



RALINK TECHNOLOGY, CORP. CONFIDENTIAL

REV	Ken	23/Aug/2004	Laurence	23/Aug/2004	Alex	23/Aug/2004
DWG TITLE	Wireless LAN USB adapter WU233g SCHEMATIC					
DRAWN	Ken	DATE	23/Aug/2004	USED ON	WU233g	
CHECKED	Laurence	DATE	23/Aug/2004	DWG NO.	82011-83006 ES01	
APPROVED	Alex	DATE	23/Aug/2004	File Name:	E:\PROTEL LOYOUT\WU233g-RFIC\EPR1\WU233g-RFIC.ddb - Documents\41713-83006-01\82011-83006ES01-A-4.Sch	
Size	A3 Sheet 4 of 4					

PEF00009A