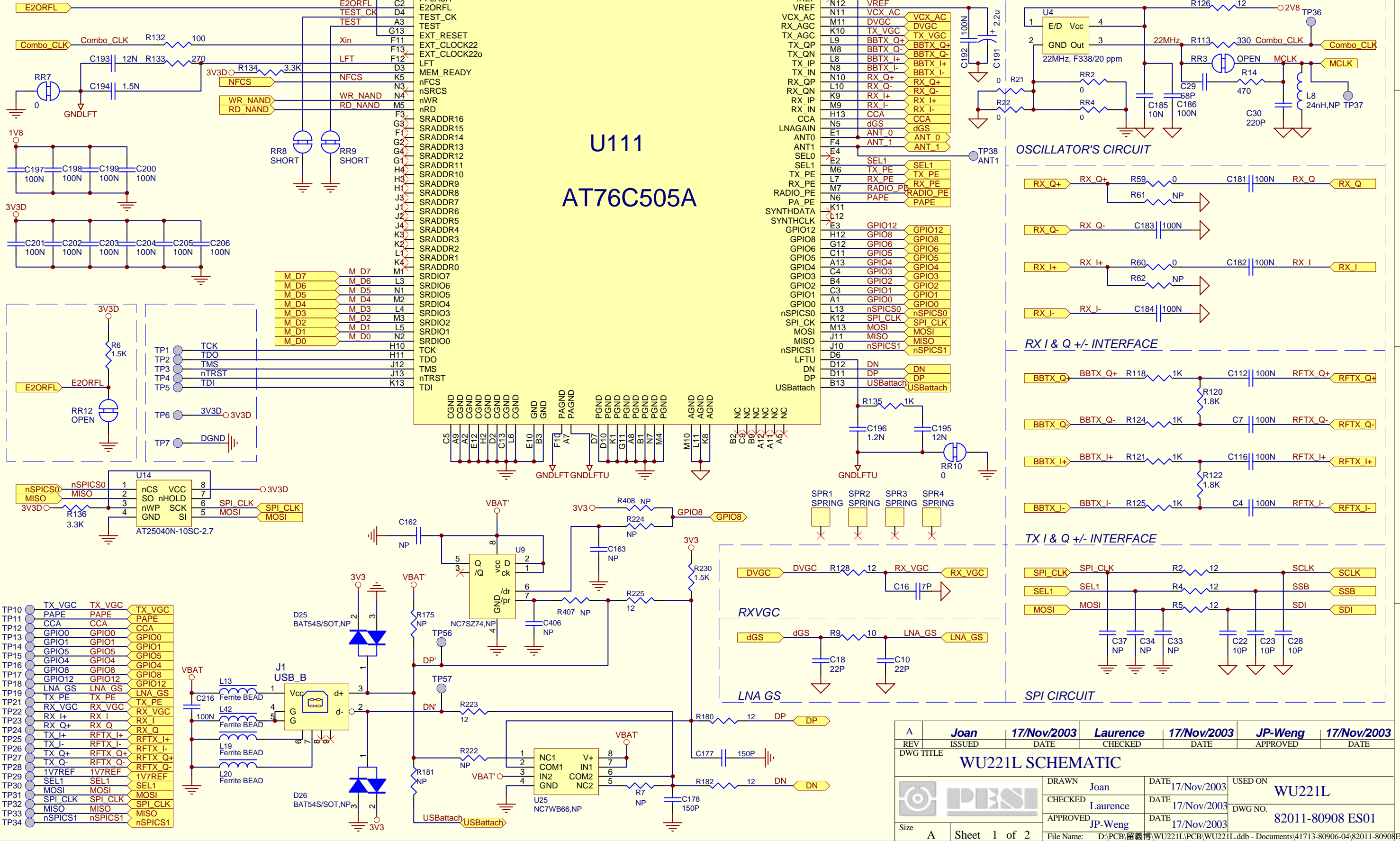


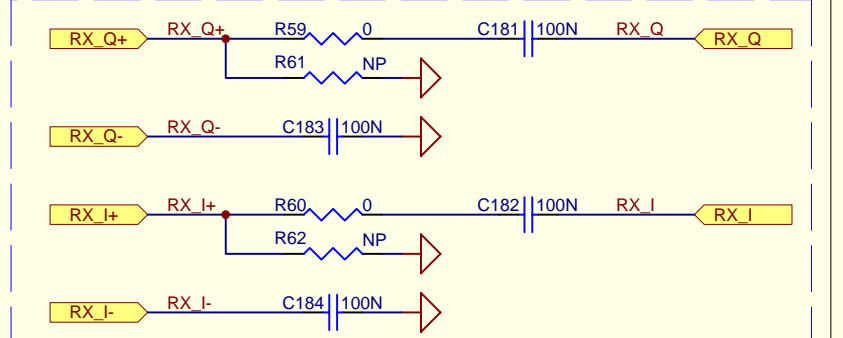
82011-80908ES01-2-A  
82011-80908ES01-2-A.Sch

RX_VGC	ANT_0
RX_I	ANT_1
RX_Q	RX_PE
RFTX_I+	GPIO6
RFTX_I-	RX_PE
RFTX_Q+	TX_PE
RFTX_Q-	RX_IN
SCLK	PAPE
RX_PE	RX_IN
TX_PE	MCLK
1V7REF	SDI
TX_VGC	SSB
RADIO_PE	

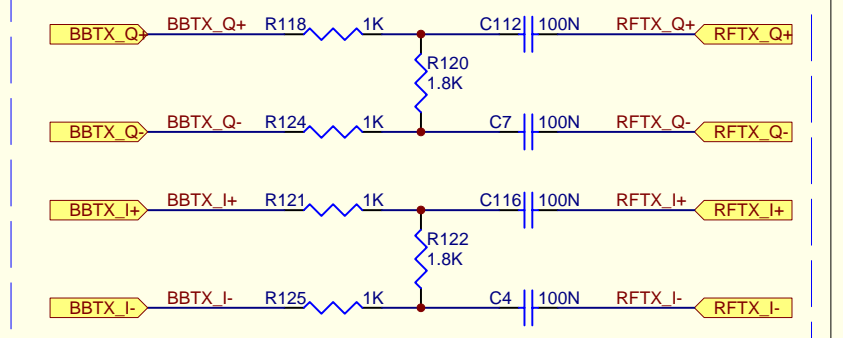
REVISION RECORD			
REV	ECO	DESCRIPTION	DATE
A			17/Nov/2003

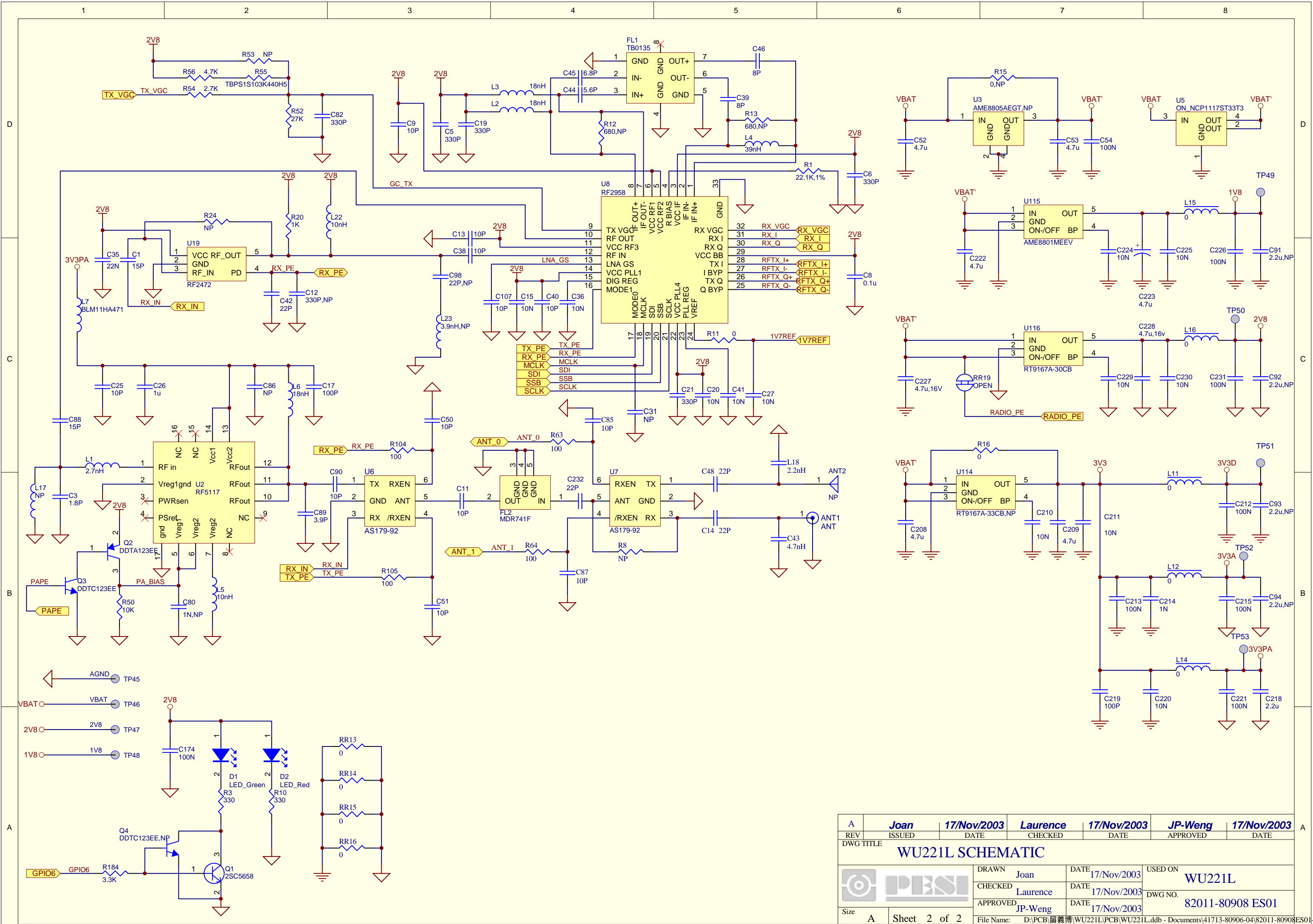


**OSCILLATOR'S CIRCUIT**



**RX I & Q +/- INTERFACE**





A	Joan	17/Nov/2003	Laurence	17/Nov/2003	JP-Weng	17/Nov/2003
REV	ISSUED	DATE	CHECKED	DATE	APPROVED	DATE
DWG TITLE						
WU221L SCHEMATIC						
DRAWN		Joan	DATE	17/Nov/2003	USED ON	
CHECKED		Laurence	DATE	17/Nov/2003	WU221L	
APPROVED		JP-Weng	DATE	17/Nov/2003	DWG NO.	
					82011-80908 ES01	
Size	A		Sheet 2 of 2		File Name: D:\PCB\留義博\WU221L\PCB\WU221L.ddb - Documents\41713-80906-04\82011-80908\ES01-2-A.Sch	