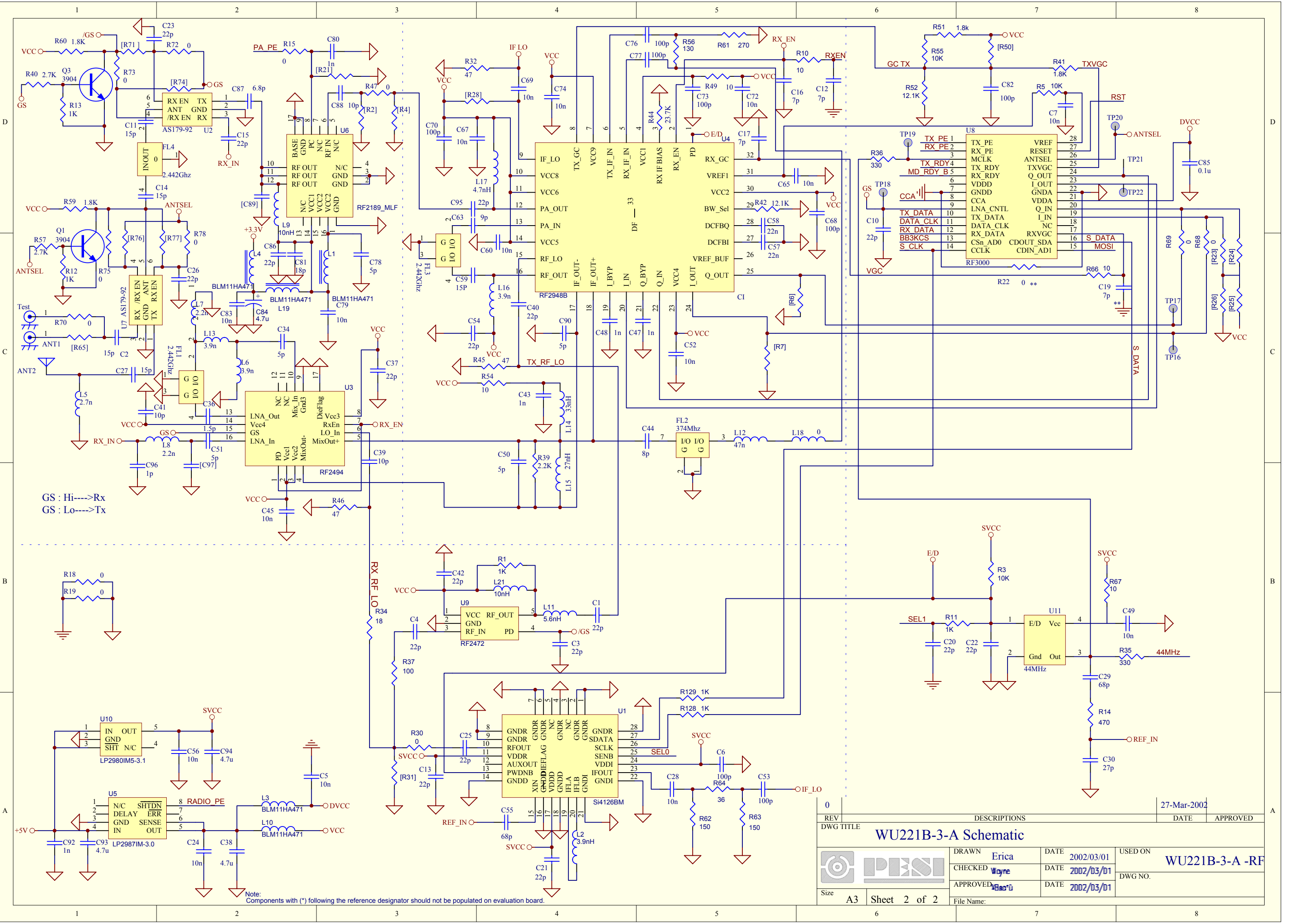


EXTFL	0	External Flash Configuration	
	1	Internal ROM Configuration	
CFG2	0	Fin-Xin or XTAL	
	1	Fin-34 Xin	
CFG1	CFG0	00	No serial Device, No USB oscillator
		01	No serial Device, USB osc.present
	10	Serial EEPROM present	
	11	Serial FLASH present	

WU221P-3-A-RF  
WU221P-3-A-RF

Note: Components with (\*) following the reference designator should not be populated on evaluation board.

0			27-Mar-2002
REV	DESCRIPTIONS	DATE	APPROVED
DWG TITLE: WU221B-3-A Schematic			
DRAWN	Erica	DATE	2002/03/01
CHECKED	Wayne	DATE	2002/03/01
APPROVED	Wayne	DATE	2002/03/01
Size	C	Sheet	1 of 2
USED ON	WU221B-3-A -MAC		
DWG NO.			
File Name:			



GS : Hi---->Rx  
GS : Lo---->Tx

Note:  
Components with (\*) following the reference designator should not be populated on evaluation board.

REV	0	DESCRIPTIONS	DATE	APPROVED
DWG TITLE	WU221B-3-A Schematic			
Size	A3	Sheet	2 of 2	File Name:
DRAWN	Erica	DATE	2002/03/01	USED ON
CHECKED	Wayne	DATE	2002/03/01	WU221B-3-A -RF
APPROVED	[Signature]	DATE	2002/03/01	DWG NO.