

82011-82103ES01-A-2
82011-82103ES01-A-2.SCH

PA_PE_G	TSSI
LNA1	TR_SWN
RFIN	ANTSEL_N
PA_RFIN	ANTSEL_P
TR_SW	

82011-82103ES01-A-3
82011-82103ES01-A-3.SCH

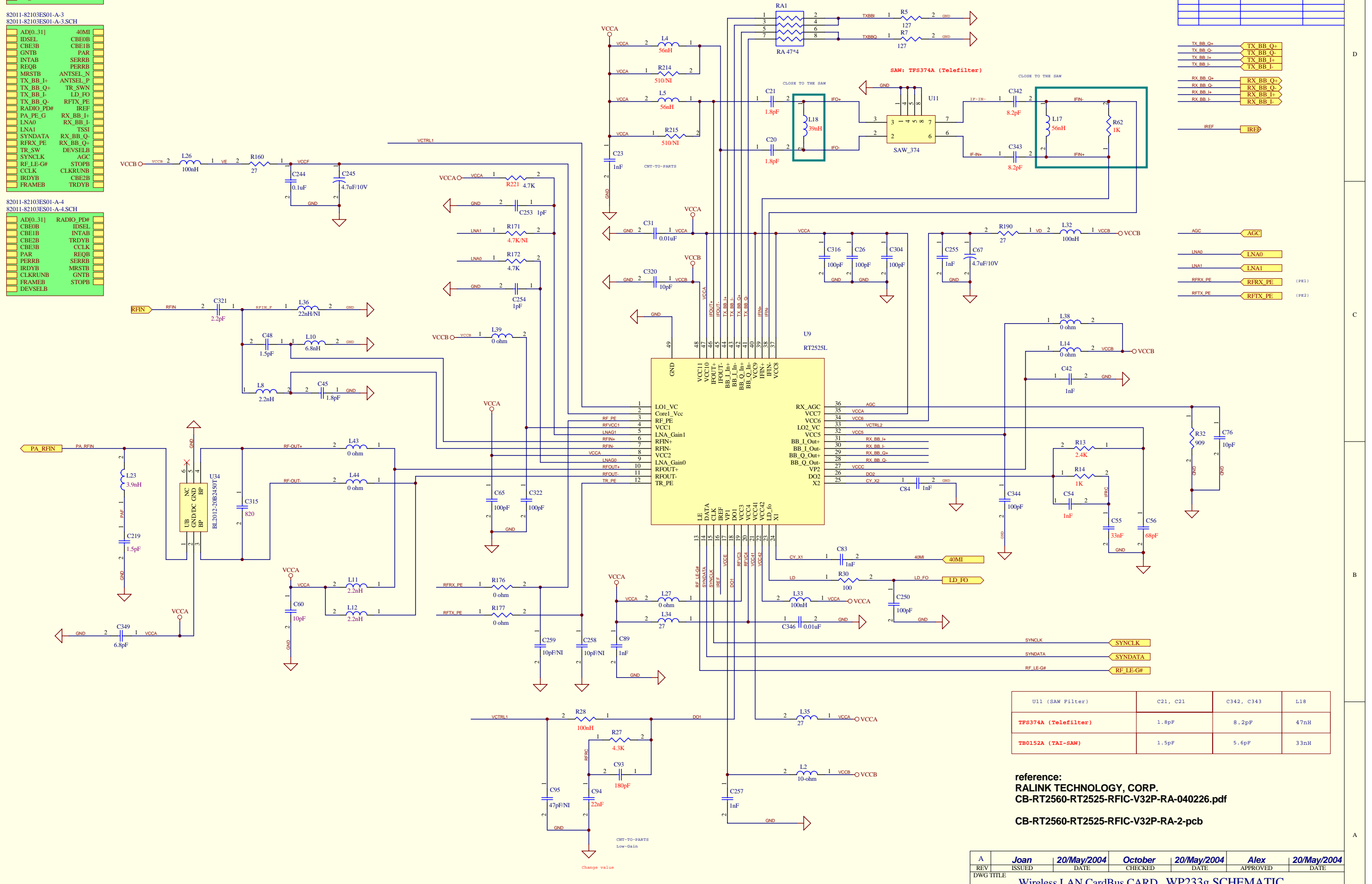
ADJ0_31	40M
IDSEL	CBE0B
CBE3B	CBE1B
GNTB	PAR
INTAB	SERRB
REOB	PERRB
MRSTB	ANTSEL_N
TX_BB_1+	ANTSEL_P
TX_BB_Q+	TR_SWN
TX_BB_I+	LD_FO
TX_BB_Q-	RFTX_PE
RADIO_PD#	IREF
PA_PE_G	RX_BB_1+
LNA0	RX_BB_1-
LNA1	TSSI
SYNDATA	RX_BB_Q-
RFRX_PE	RX_BB_Q+
TR_SW	DEVSELB
SYNCLK	AGC
RF_LE-G#	STOPB
CCLK	CLKRUNB
IRDYB	CBE2B
FRAMEB	TRDYB

82011-82103ES01-A-4
82011-82103ES01-A-4.SCH

ADJ0_31	RADIO_PD#
CBE0B	IDSEL
CBE1B	INTAB
CBE2B	TRDYB
CBE3B	CCLK
PAR	REOB
PERRB	SERRB
MRSTB	ANTSEL_N
CLKRUNB	GNTB
STOPB	DEVSELB

REVISION RECORD			
REV	ECO	DESCRIPTION	DATE
A			20/May/2004

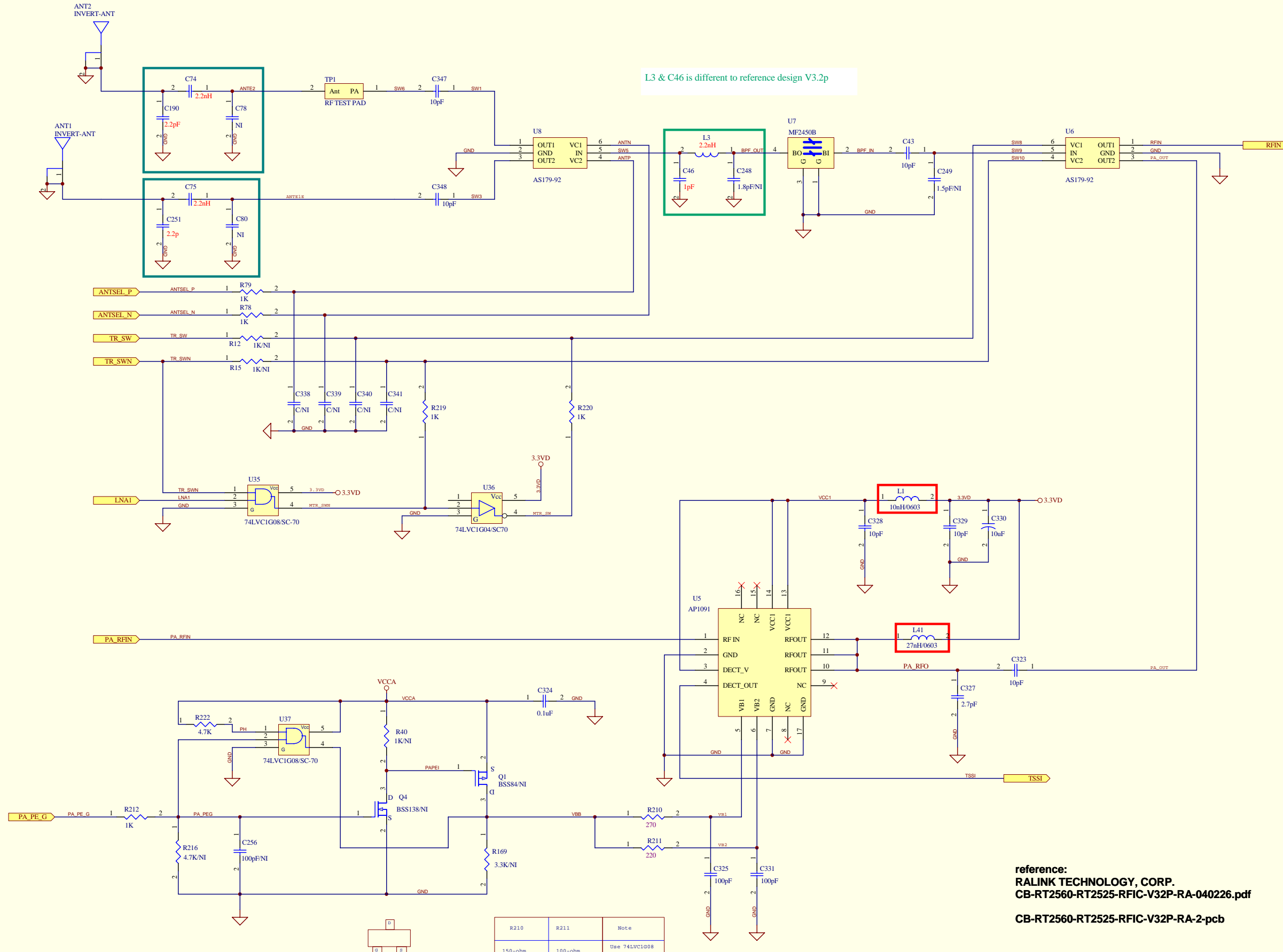
TX_BB_Q+	TX_BB_Q+
TX_BB_Q-	TX_BB_Q-
TX_BB_I+	TX_BB_I+
TX_BB_I-	TX_BB_I-
RX_BB_Q+	RX_BB_Q+
RX_BB_Q-	RX_BB_Q-
RX_BB_I+	RX_BB_I+
RX_BB_I-	RX_BB_I-
IREF	IREF
AGC	AGC
LNA0	LNA0
LNA1	LNA1
RFRX_PE	RFRX_PE (P#1)
RFTX_PE	RFTX_PE (P#2)



U11 (SAW Filter)	C21, C21	C342, C343	L18
TFS374A (Telefilter)	1.8pF	8.2pF	47nH
TB0152A (TAI-SAW)	1.5pF	5.6pF	33nH

reference:
RALINK TECHNOLOGY, CORP.
CB-RT2560-RT2525-RFIC-V32P-RA-040226.pdf
CB-RT2560-RT2525-RFIC-V32P-RA-2-pcb

A	Joan	20/May/2004	October	20/May/2004	Alex	20/May/2004
REV	ISSUED	DATE	CHECKED	DATE	APPROVED	DATE
DWG TITLE: Wireless LAN CardBus WP233g SCHEMATIC						
DRAWN: Joan			DATE: 20/May/2004		USED ON: WP233g	
CHECKED: October			DATE: 20/May/2004		DWG NO.: 82011-82103 ES01	
APPROVED: Alex			DATE: 20/May/2004			
Size	C	Sheet 1 of 4	File Name: D:\PCB(試製)\WP233g(41713-82103)\PCB\41713-82103ES01-A.ddb - Documents\82011-82103ES01-A-1.SCH			

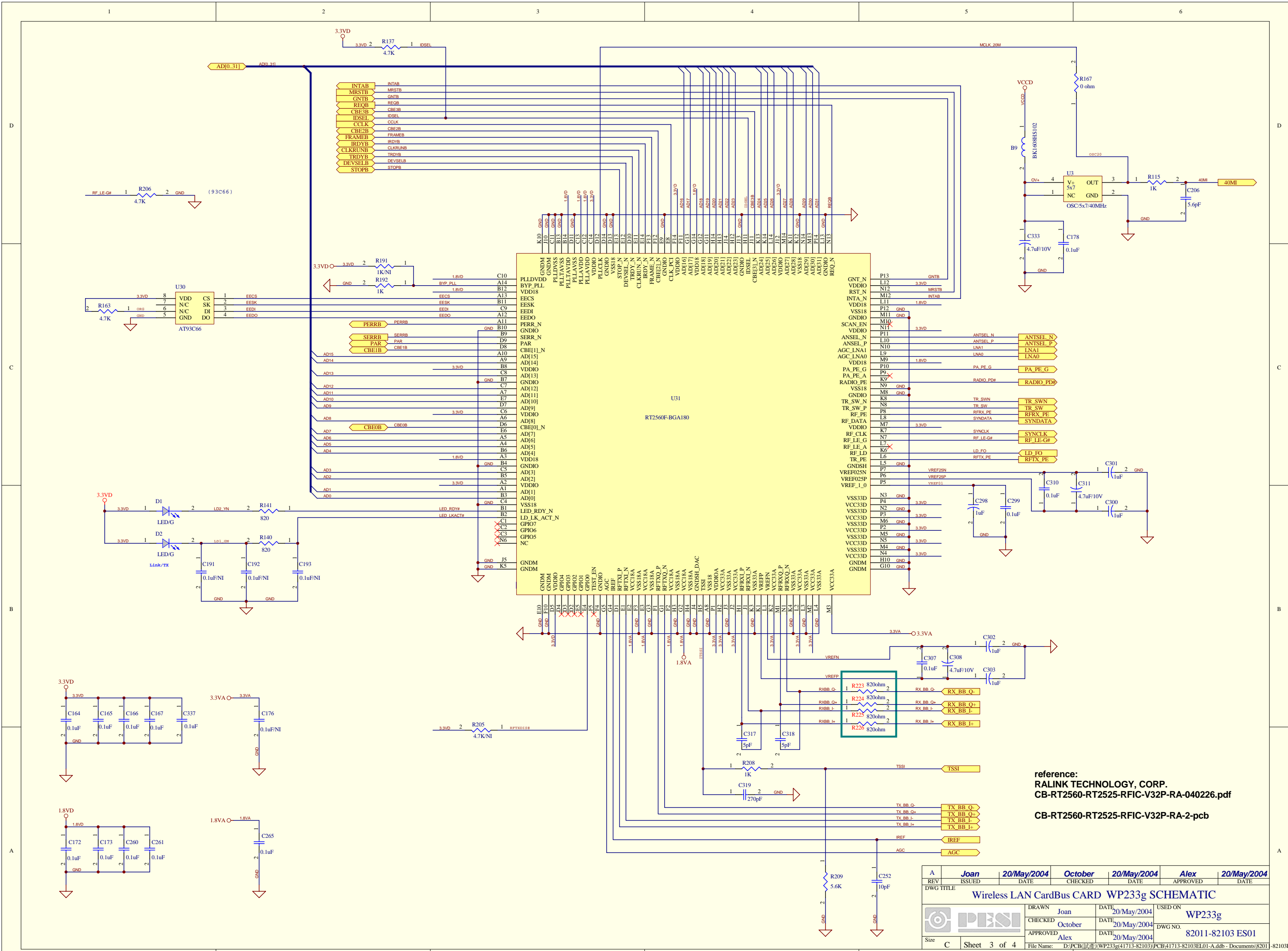


L3 & C46 is different to reference design V3.2p

reference:
RALINK TECHNOLOGY, CORP.
CB-RT2560-RT2525-RFIC-V32P-RA-040226.pdf
CB-RT2560-RT2525-RFIC-V32P-RA-2-pcb

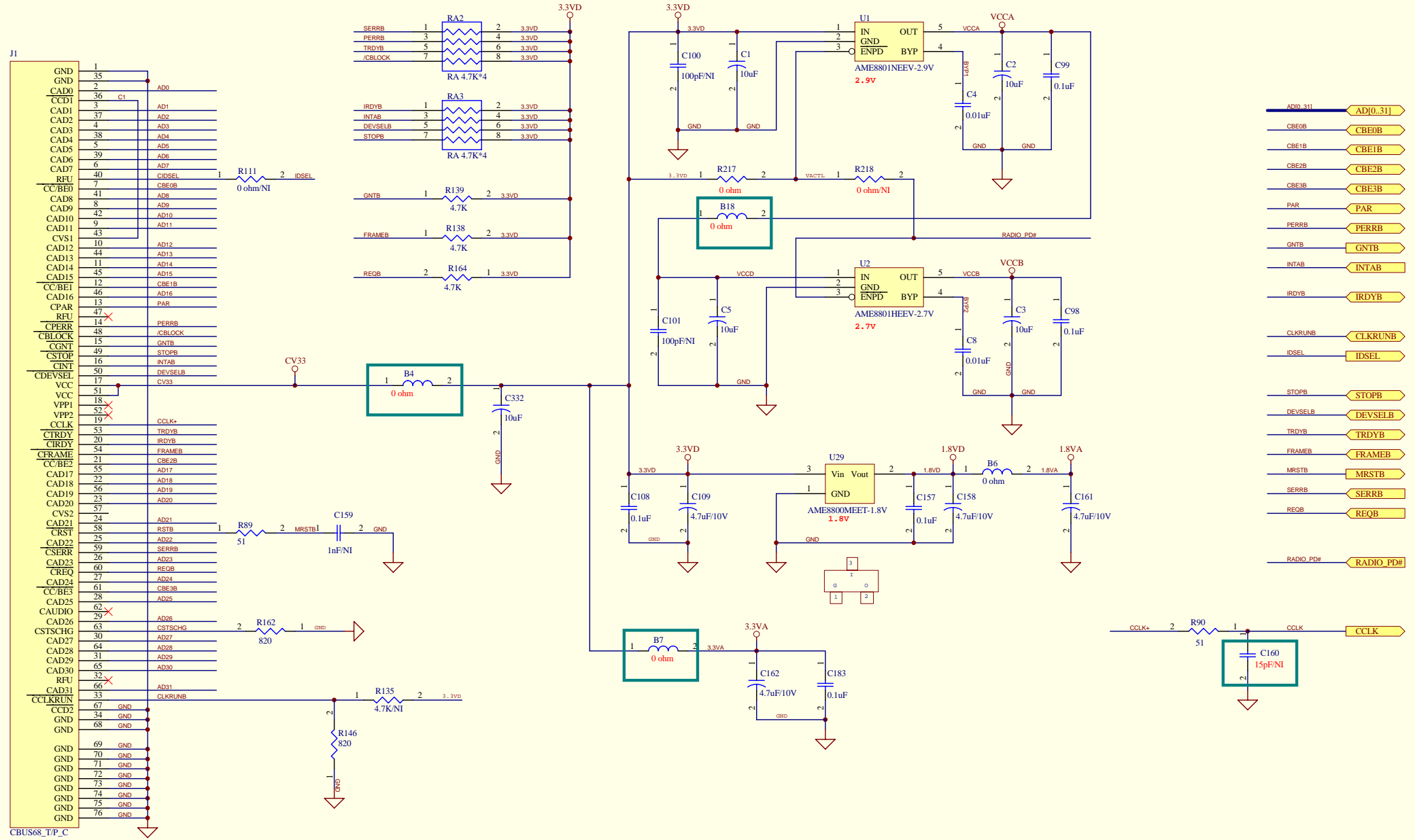
R210	R211	Note
150-ohm	100-ohm	Use 74LVC1G08
240-ohm	180-ohm	Use BSS84

A	Joan	20/May/2004	October	20/May/2004	Alex	20/May/2004
REV	ISSUED	DATE	CHECKED	DATE	APPROVED	DATE
DWG TITLE						
Wireless LAN CardBus CARD WP233g Schematic						
	DRAWN	Joan	DATE	20/May/2004	USED ON	WP233g Wireless LAN CardBus CARD DWG NO. 82011-82103 ES01
	CHECKED	October	DATE	20/May/2004		
	APPROVED	Alex	DATE	20/May/2004		
Size	C	Sheet 2 of 4		File Name:	D:\PCB\测试\WP233g(41713-82103)\PCB\41713-82103\ELD1-A.dwg - Documents\82011-82103ES01-A-2.SCH	



reference:
 RALINK TECHNOLOGY, CORP.
 CB-RT2560-RT2525-RFIC-V32P-RA-040226.pdf
 CB-RT2560-RT2525-RFIC-V32P-RA-2-pcb

A	Joan	20/May/2004	October	20/May/2004	Alex	20/May/2004
REV	ISSUED	DATE	CHECKED	DATE	APPROVED	DATE
DWG TITLE						
Wireless LAN Card WP233g SCHEMATIC						
DRAWN		Joan	DATE	20/May/2004	USED ON	
CHECKED		October	DATE	20/May/2004	WP233g	
APPROVED		Alex	DATE	20/May/2004	DWG NO.	
					82011-82103 ES01	
Size	C	Sheet	3 of 4	File Name:	D:\PCB(試產)\WP233g(41713-82103)\PCB\41713-82103-ELD1-A.ddb - Documents\82011-82103ES01-A-3.SCH	



reference:
RALINK TECHNOLOGY, CORP.
CB-RT2560-RT2525-RFIC-V32P-RA-040226.pdf
CB-RT2560-RT2525-RFIC-V32P-RA-2-pcb

A	Joan	20/May/2004	October	20/May/2004	Alex	20/May/2004	
REV	ISSUED	DATE	CHECKED	DATE	APPROVED	DATE	
DWG TITLE							
Wireless LAN CardBus CARD WP233g SCHEMATIC							
	DRAWN	Joan	DATE	20/May/2004	USED ON	WP233g	
	CHECKED	October	DATE	20/May/2004	DWG NO.		82011-82103 ES01
	APPROVED	Alex	DATE	20/May/2004			
Size	C		Sheet 4 of 4		File Name: D:\PCB(試產)\WP233g(41713-82103)\PCB\41713-82103ELD1-A.ddb - Documents\82011-82103ES01-A-4.SCH		