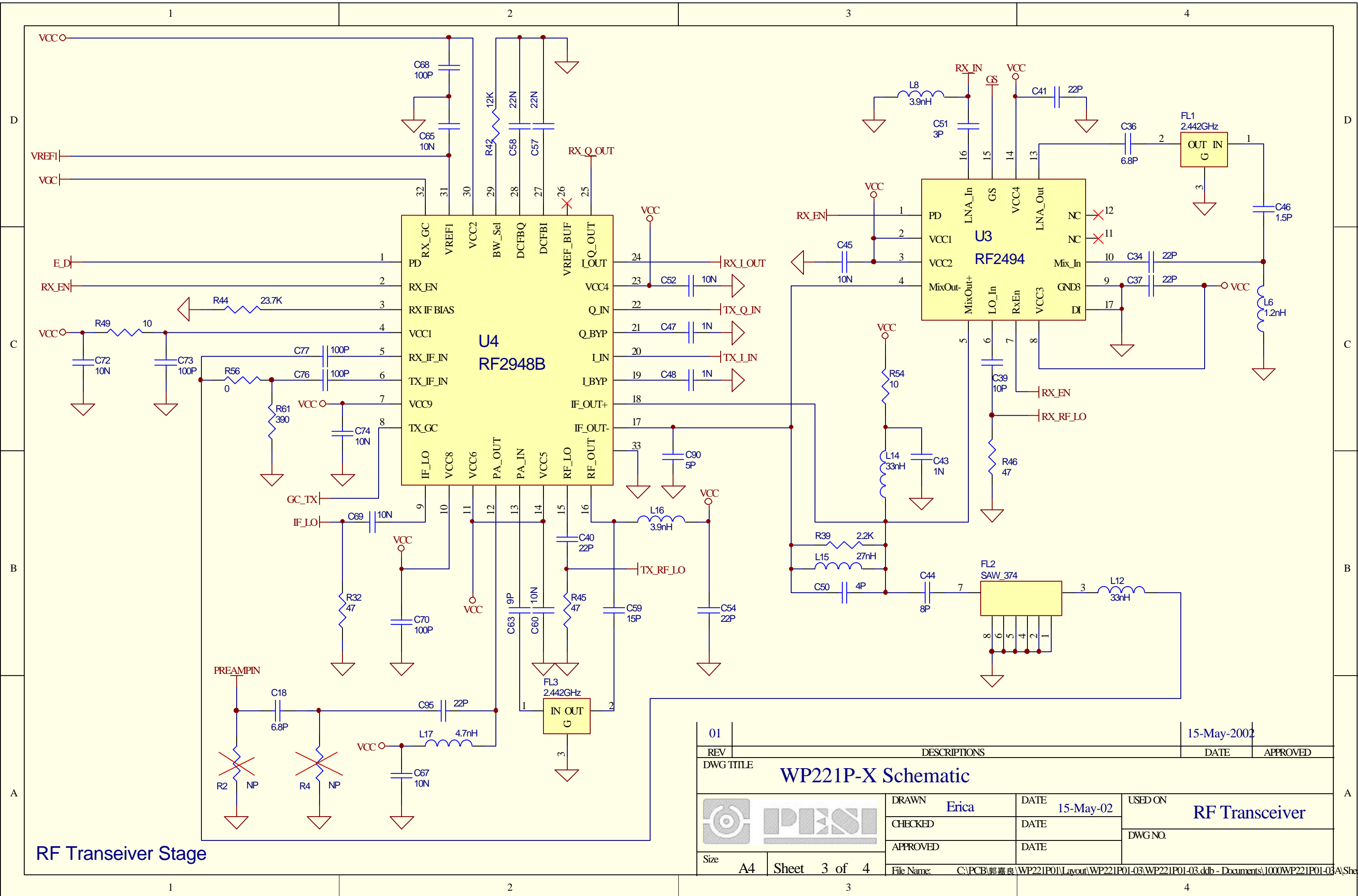

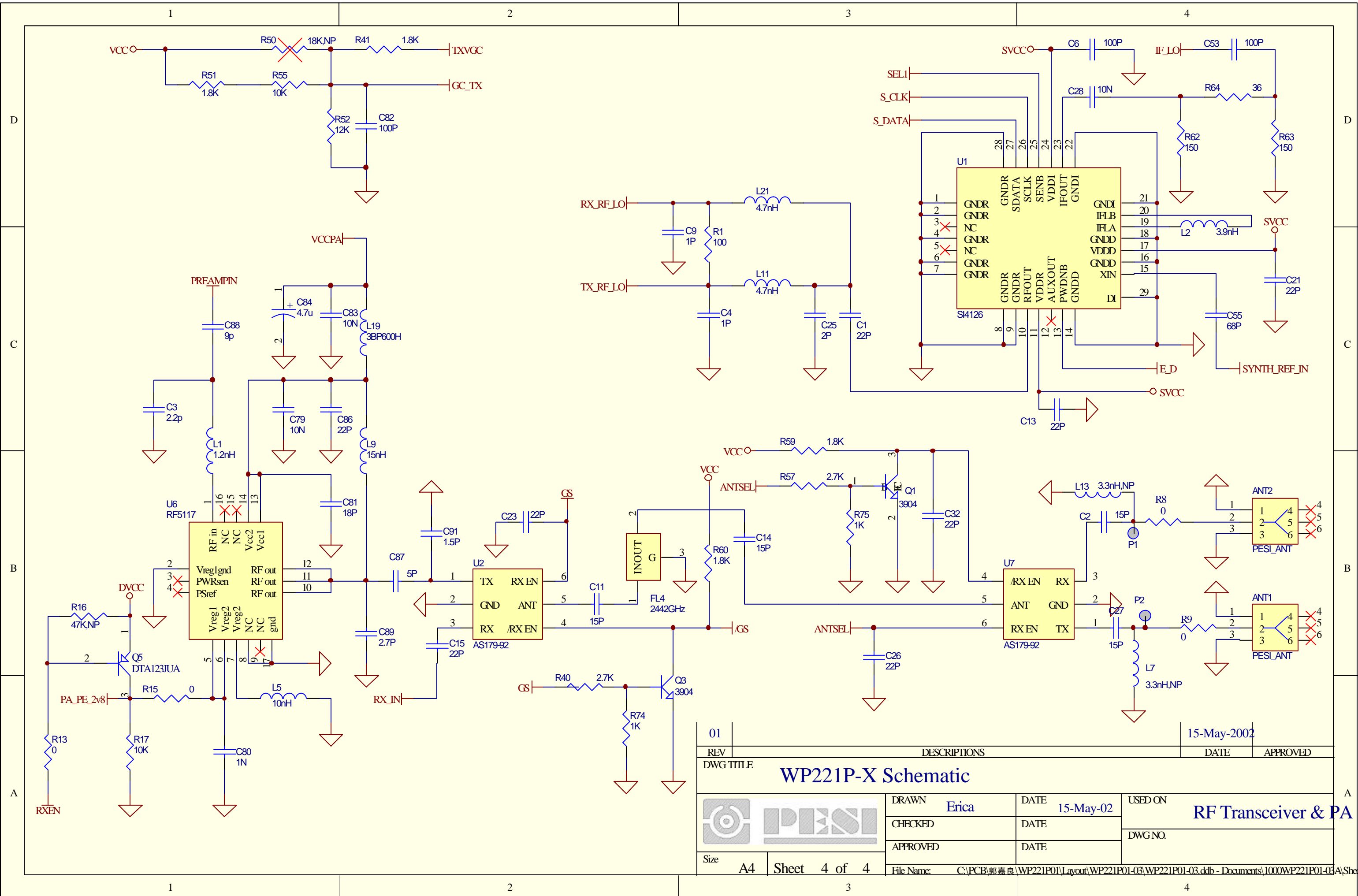


01			15-May-2002
REV	DESCRIPTIONS	DATE	APPROVED
DWG TITLE			
WP221P-X Schematic		Baseband Stage	
DRAWN Erica		DATE 15-May-02	USED ON
CHECKED		DATE	DWG NO.
APPROVED		DATE	
Size A4	Sheet 2 of 4	File Name: C:\PCB\郭嘉良\WP221P01\Layout\WP221P01-03\WP221P01-03.dtb - Documents\1000\WP221P01-03\A\She	



RF Transeiver Stage

01	15-May-2002	
REV	DESCRIPTIONS	DATE APPROVED
DWG TITLE WP221P-X Schematic		
	DRAWN Erica	DATE 15-May-02
	CHECKED	DATE
	APPROVED	DATE
Size A4	Sheet 3 of 4	USED ON RF Transceiver
File Name: C:\PCB\郭嘉良\WP221P01\Layout\WP221P01-03\WP221P01-03.dcb - Documents\1000WP221P01-03\A\She		DWG NO.



01			15-May-2002	
REV	DESCRIPTIONS		DATE	APPROVED
DWG TITLE				
WP221P-X Schematic				
DRAWN Erica		DATE 15-May-02	USED ON	
CHECKED		DATE	RF Transceiver & PA	
APPROVED		DATE	DWG NO.	
Size	A4	Sheet 4 of 4	File Name: C:\PCB\郭嘉良\WP221P01\Layout\WP221P01-03\WP221P01-03.dcb - Documents\1000WP221P01-03\A\She	