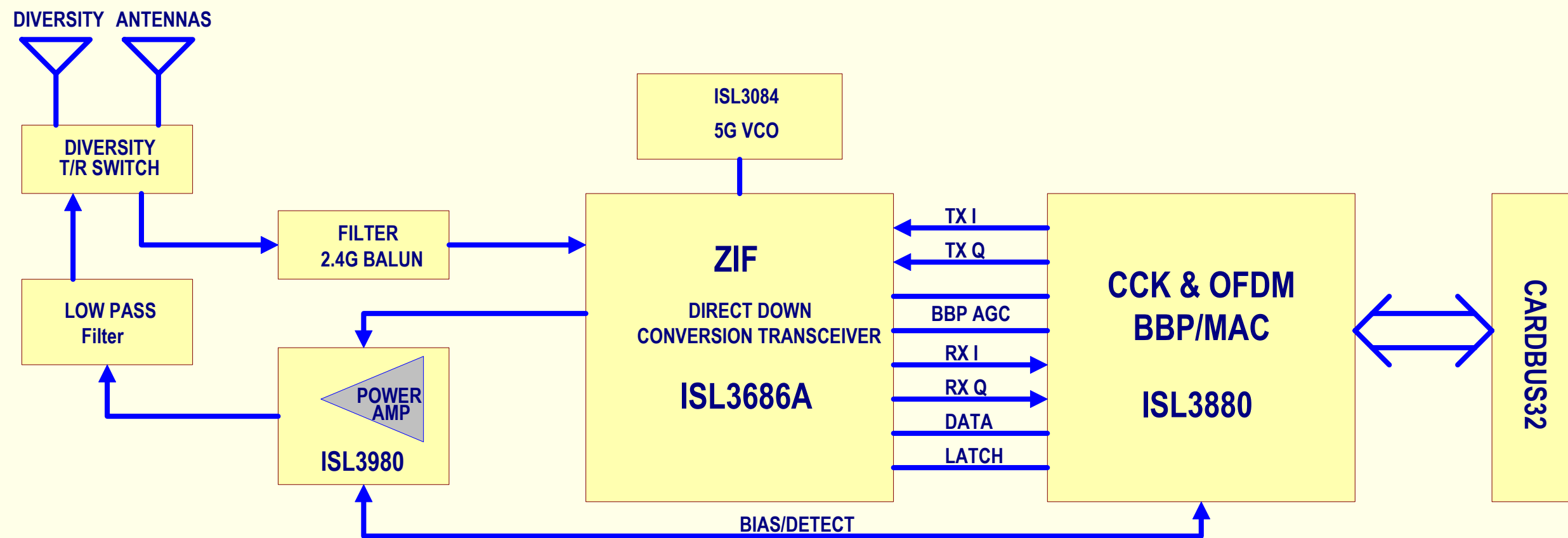


WP210g Block Diagram



REV	ISSUED	DATE	CHECKED	DATE	APPROVED	DATE
DWG TITLE: WP210g Block Diagram						
DRAWN: doraemon		DATE: 25/Apr/2003		USED ON:		
CHECKED:		DATE:		DWG NO.:		
APPROVED:		DATE:				
Size: A	Sheet 1 of 1		File Name: C:\PCB\佳霖\WP210g方块图.ddb - Documents\WP210g方块图			