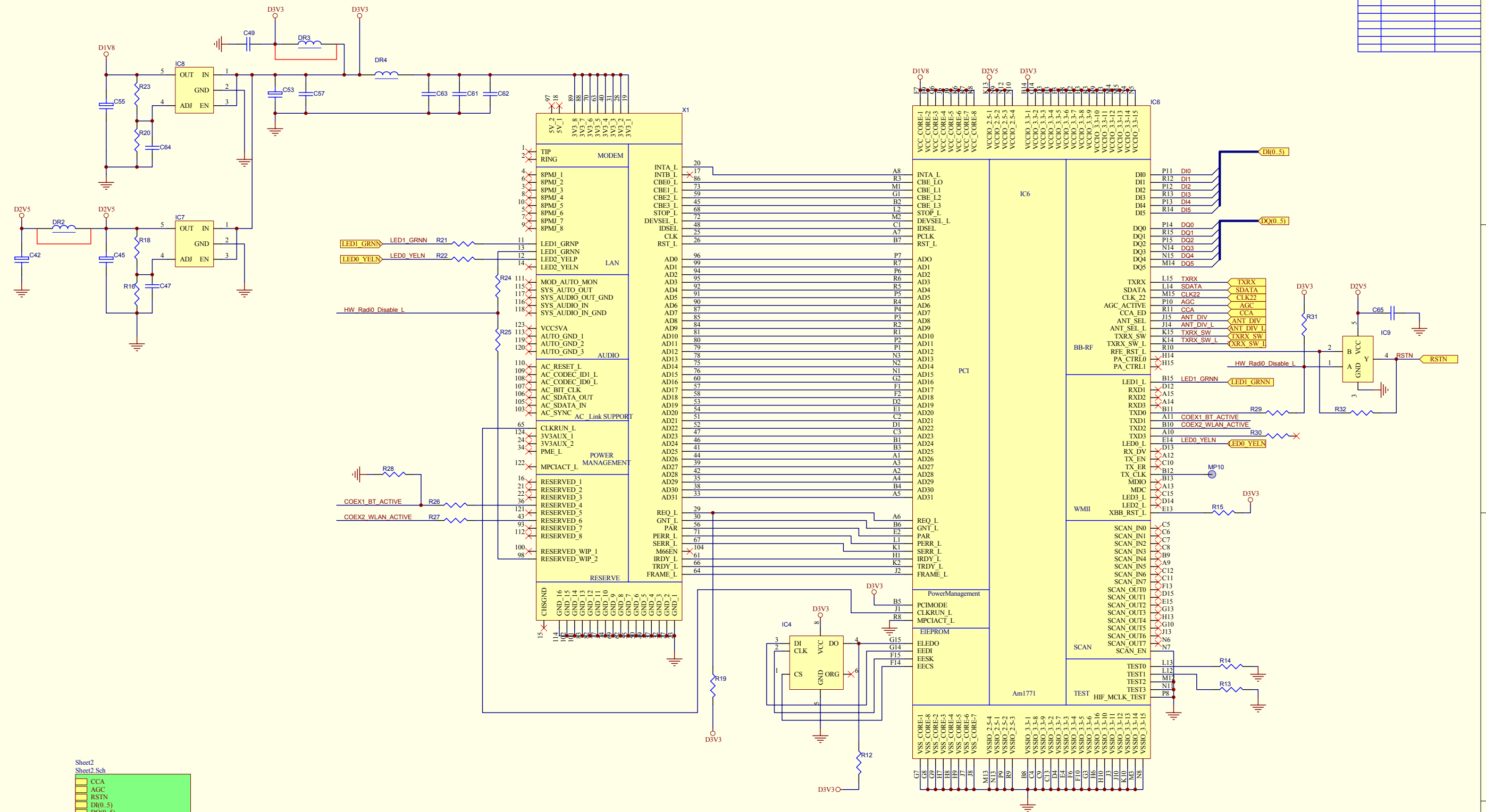
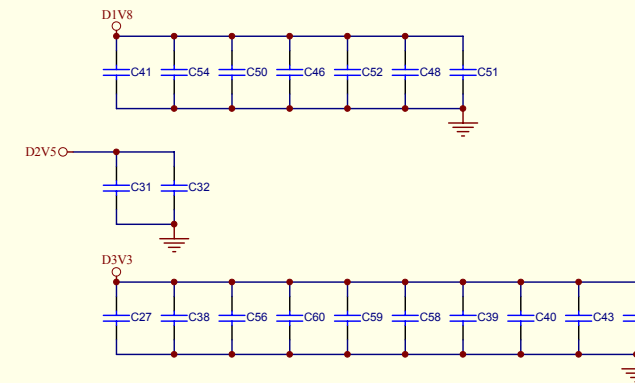


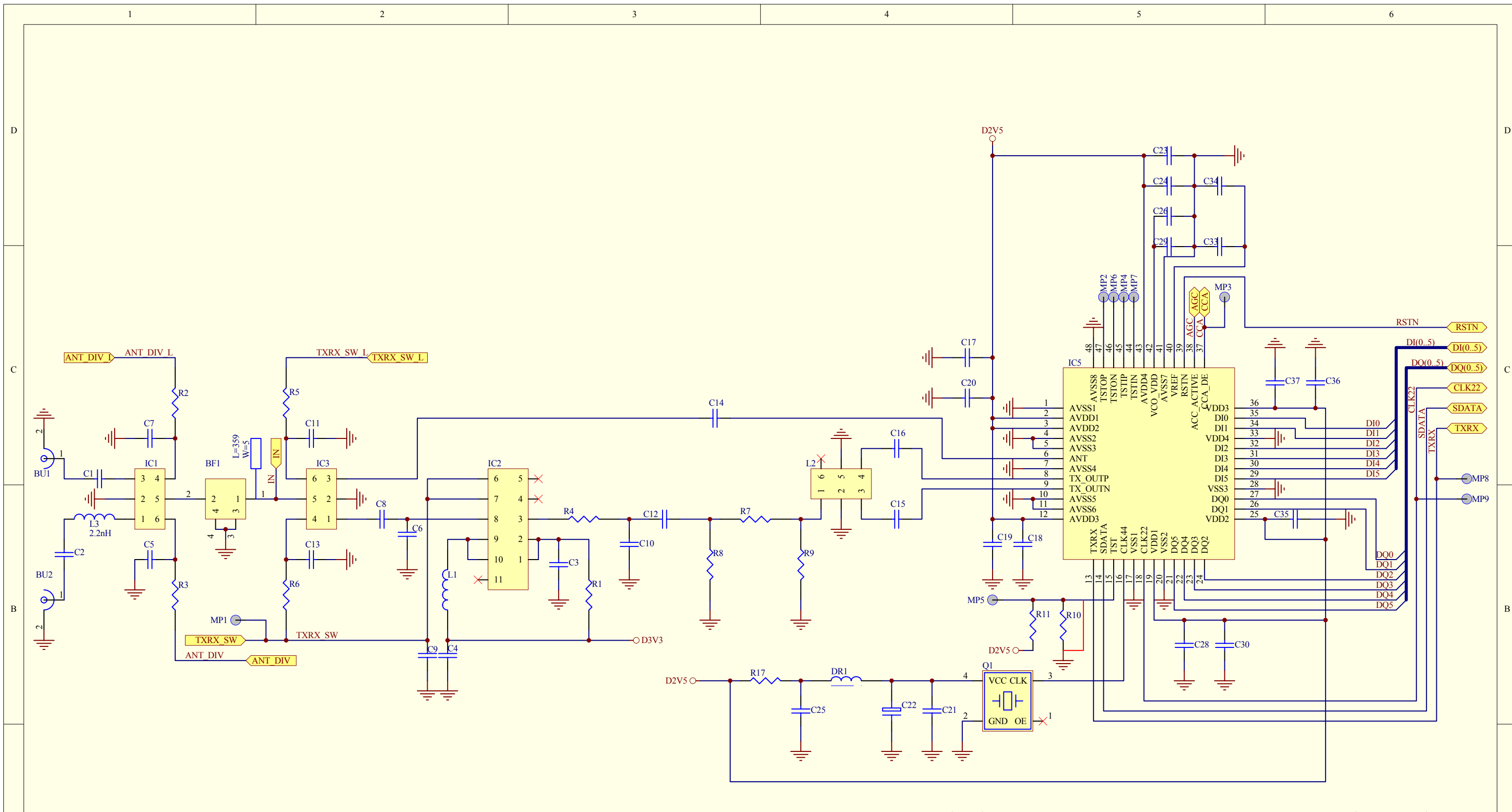
REVISION RECORD		
REV	ECO	DATE



- Sheet2
Sheet2.Sch
- CCA
 - AGC
 - RSTN
 - DI(0..5)
 - DO(0..5)
 - CLK22
 - SDATA
 - TXRX
 - ANT_DIV
 - ANT_DIV_L
 - TXRX_SW
 - TXRX_SW_L
 - IN



03	REV	DESCRIPTIONS	31-Mar-2003	Joan
DWG TITLE		WM288P SCHEMATIC		
Size	C	Sheet	1 of 2	File Name: C:\PCB\C.P\WM288P\PCB\WM288P.ddb - Documents\41713-82201-03\Sheet1.Sch
DRAWN	Joan	DATE	9-Apr-2003	USED ON
CHECKED		DATE	-	DWG NO.
APPROVED		DATE	-	41713-82201-03



03			31-Mar-2003	Joan
REV	DESCRIPTIONS		DATE	DRAWN
DWG TITLE WM288P SCHEMATIC				
DRAWN Joan		DATE 9-Apr-2003	USED ON	
CHECKED		DATE - -	DWG NO.	
APPROVED		DATE - -	41713-82201-03	
Size B	Sheet 2 of 2	File Name: C:\PCB\C.P\WM288P\PCB\WM288P.ddb - Documents\41713-82201-03\Sheet2.Sch		