

82011-84102ES01-A-2
82011-84102ES01-A-2.Sch

TR_SWN	TSSI
ANTSEL_N	RFIN
ANTSEL_P	PA_PE_G
TR_SW	LNA1
PA_RFIN	

82011-84102ES01-A-3
82011-84102ES01-A-3.Sch

AD[0..31]	INTAB
IDSSEL	REQB
CBE3B	TX_BB_I+
GNTB	TX_BB_O+
MRSTB	TX_BB_I-
CCLK	TX_BB_Q-
IRDYB	RADIO_PD#
FRAMEB	PA_PE_G
TRDYB	SYNDATA
CBE2B	TR_SW
CLKRUNB	SYNCLK
STOPB	RF_LE-G#
DEVSELB	AGC
TSSI	LD2P_24G
IRF	LD1P_ACT
RFXDIS#	LD1_GN
LD_FO	LD2_YN
PERRB	RFTX_PE
PAR	TR_SWN
CBE1B	ANTSEL_P
CBE0B	ANTSEL_N
RX_BB_I-	SERRB
RX_BB_Q+	40M
RX_BB_I+	LNA1
RX_BB_Q-	LNA0
RFRX_PE	RFRX_PE
RFTX_PE	RFTX_PE

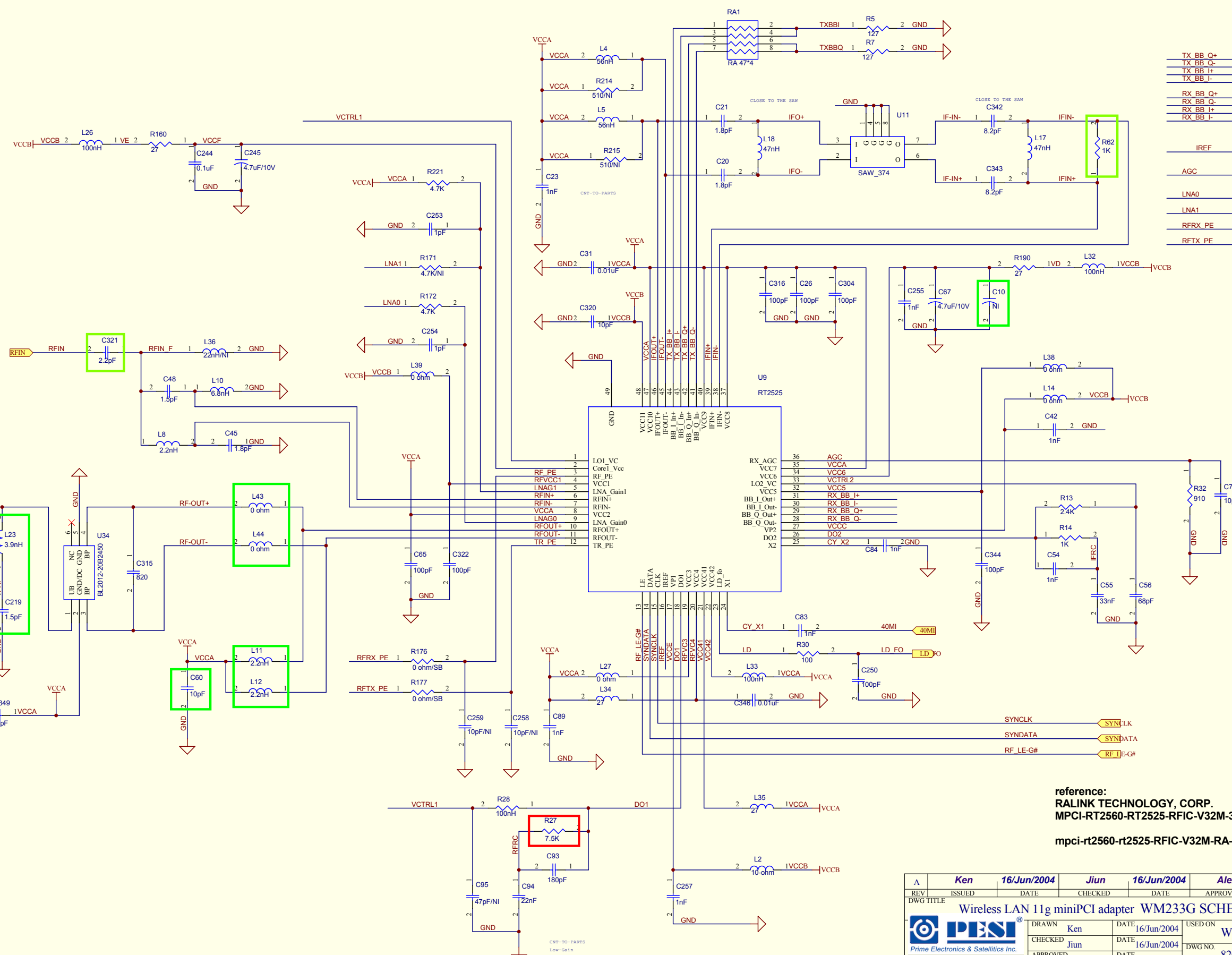
82011-84102ES01-A-4
82011-84102ES01-A-4.Sch

CBE0B	CCLK
CBE3B	IDSSEL
IRDYB	MRSTB
STOPB	GNTB
AD[0..31]	RFXDIS#
CBE2B	LD1_GN
PERRB	LD2_YN
DEVSELB	LD1P_ACT
SERRB	CLKRUNB
FRAMEB	REQB
CBE1B	LD2P_24G
PAR	INTAB
RADIO_PD#	TRDYB

REV	ECO	DESCRIPTION	DATE
A			16/Jun/2004

U11 (SAW Filter)	C21, C21	C342, C343	L18
TFS374A (Telefilter)	1.8pF	8.2pF	47nH

TX_BB_Q+	TX_BB_Q+
TX_BB_Q-	TX_BB_Q-
TX_BB_I+	TX_BB_I+
TX_BB_I-	TX_BB_I-
RX_BB_Q+	RX_BB_Q+
RX_BB_Q-	RX_BB_Q-
RX_BB_I+	RX_BB_I+
RX_BB_I-	RX_BB_I-
IREF	IREF
AGC	AGC
LNA0	LNA0
LNA1	LNA1
RFRX_PE	RFRX_PE
RFTX_PE	RFTX_PE

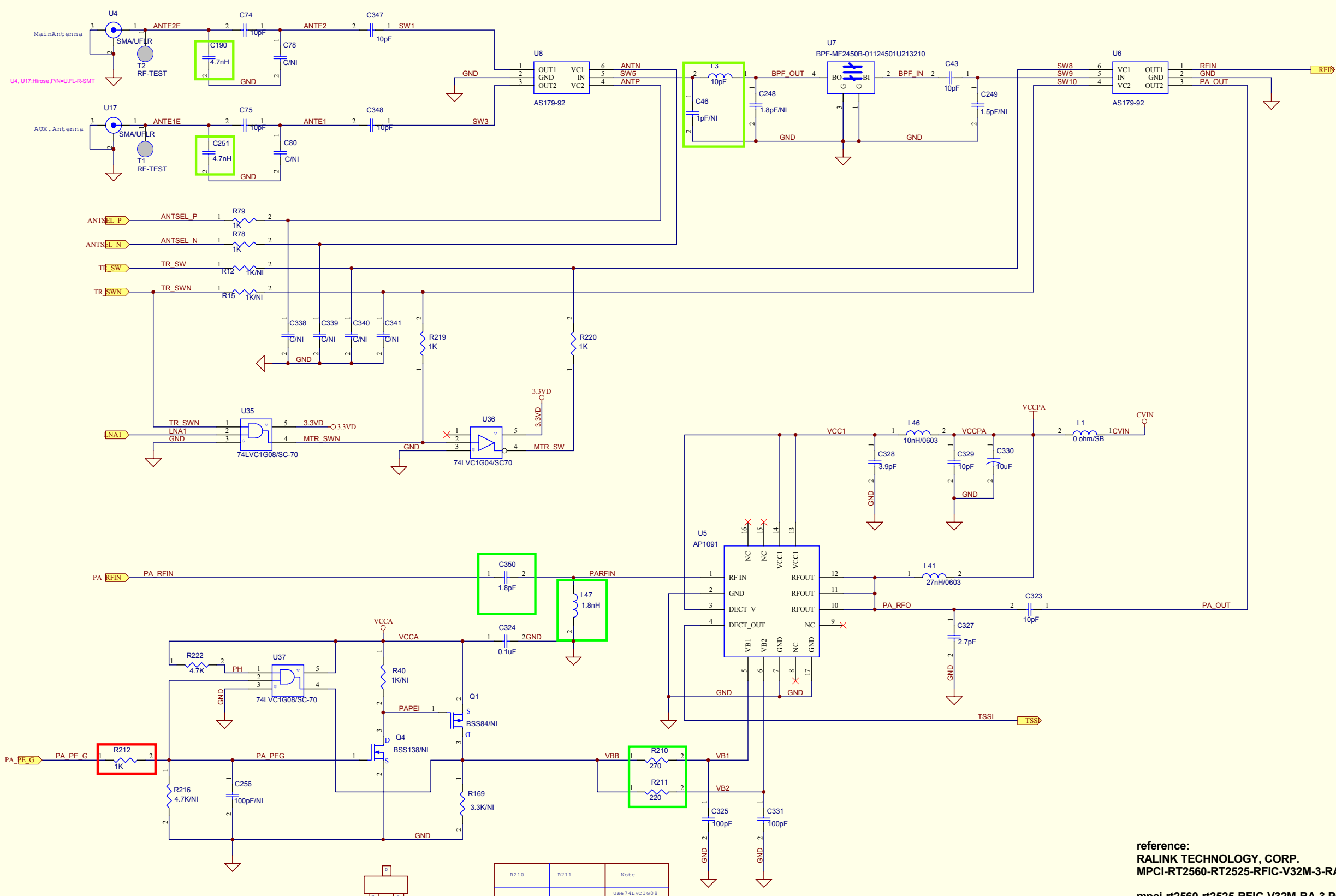


reference:
RALINK TECHNOLOGY, CORP.
MPCI-RT2560-RT2525-RFIC-V32M-3-RA-0402.pdf
mpci-rt2560-rt2525-rfic-v32m-ra-3.pcb

A	Ken	16/Jun/2004	Jiun	16/Jun/2004	Alex	16/Jun/2004
REV	ISSUED	DATE	CHECKED	DATE	APPROVED	DATE
DWG TITLE						
Wireless LAN 11g miniPCI adapter WM233G SCHEMATIC						
DRAWN Ken			DATE 16/Jun/2004		USED ON WM233G	
CHECKED Jiun			DATE 16/Jun/2004		DWG NO. 82011-84102 ES01	
APPROVED Alex			DATE 16/Jun/2004			
File Name: D:\PROTEL\LOYOU\WM233G\发行\41713-84102EL01-A.ddb - Documents\82011-84102ES01-A-1.Sch						



REV	ECO	DESCRIPTION	DATE
A			16/Jun/2004



reference:
RALINK TECHNOLOGY, CORP.
MPCI-RT2560-RT2525-RFIC-V32M-3-RA-0402.pdf
mpci-rt2560-rt2525-RFIC-V32M-RA-3.PCB

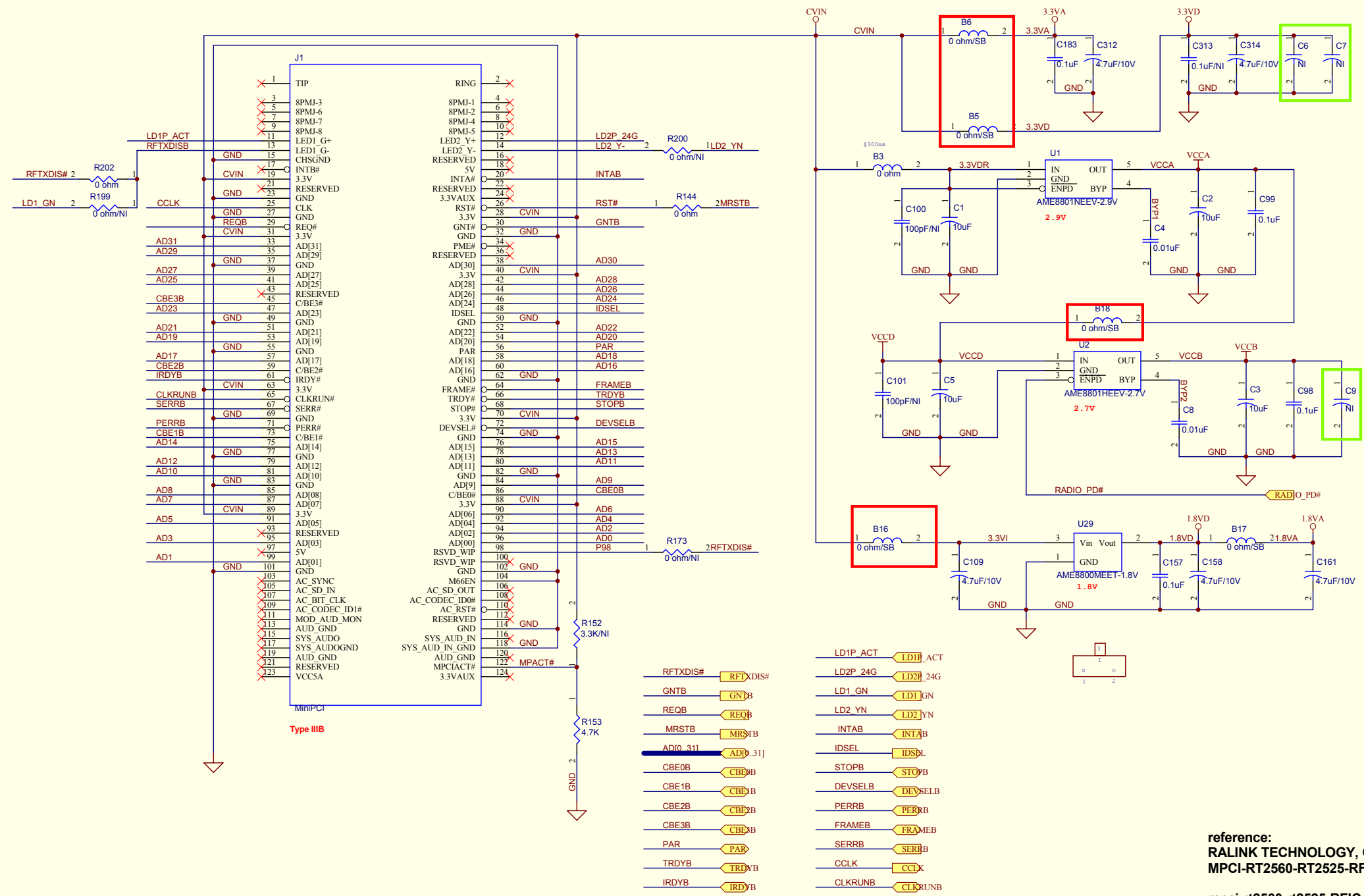
REV	ISSUED	DATE	CHECKED	DATE	APPROVED	DATE
A	Ken	16/Jun/2004	Jiun	16/Jun/2004	Alex	16/Jun/2004

DWG TITLE: Wireless LAN 11g miniPCI adapter WM233G SCHEMATIC

DRAWN	Ken	DATE	16/Jun/2004	USED ON	WM233G
CHECKED	Jiun	DATE	16/Jun/2004	DWG NO.	82011-84102 ES01
APPROVED	Alex	DATE	16/Jun/2004		

Size: A Sheet 2 of 4
 File Name: D:\PROTEL\LOU\T\WM233G\發行\41713-84102EL01-A.ddb - Documents\82011-84102ES01-A-2.Sch

REV	ECO	DESCRIPTION	DATE
A			16/Jun/2004



reference:
RALINK TECHNOLOGY, CORP.
MPCI-RT2560-RT2525-RFIC-V32M-3-RA-0402.pdf
mpci-rt2560-rt2525-rfic-v32m-ra-3.pcb

REV	ISSUED	DATE	CHECKED	DATE	APPROVED	DATE
A	Ken	16/Jun/2004	Jiun	16/Jun/2004	Alex	16/Jun/2004

DWG TITLE: Wireless LAN 11g miniPCI adapter WM233G SCHEMATIC

DRAWN	Ken	DATE	16/Jun/2004	USED ON	WM233G
CHECKED	Jiun	DATE	16/Jun/2004	DWG NO.	82011-84102 ES01
APPROVED	Alex	DATE	16/Jun/2004	File Name:	D:\PROTEL\LOU\T\WM233G\發行\41713-84102EL01-A.ddb - Documents\82011-84102ES01-A-4.Sch

Size: A Sheet 4 of 4