

承 認 書
SPECIFICATION FOR APPROVAL

客 戶
CUSTOMER

尚亞科技股份有限公司

日 期
DATE

92 年 09 月 17 日

品 名
DESCRIPTION

Swivel Type , 1/4λ Monopole Antenna
(Gray)
Reverse SMA Connector

客 戶 料 號
CUSTOMER P/N



萬旭電業股份有限公司

WANSHIH ELECTRONIC CO., LTD.

台北縣五股鄉五工六路 72 號 3 樓

3F 72 WU KONG 6TH RD., WU KU INDUSTRIAL DISTRICT

TAIPEI HSIEN, TAIWAN, R.O.C.

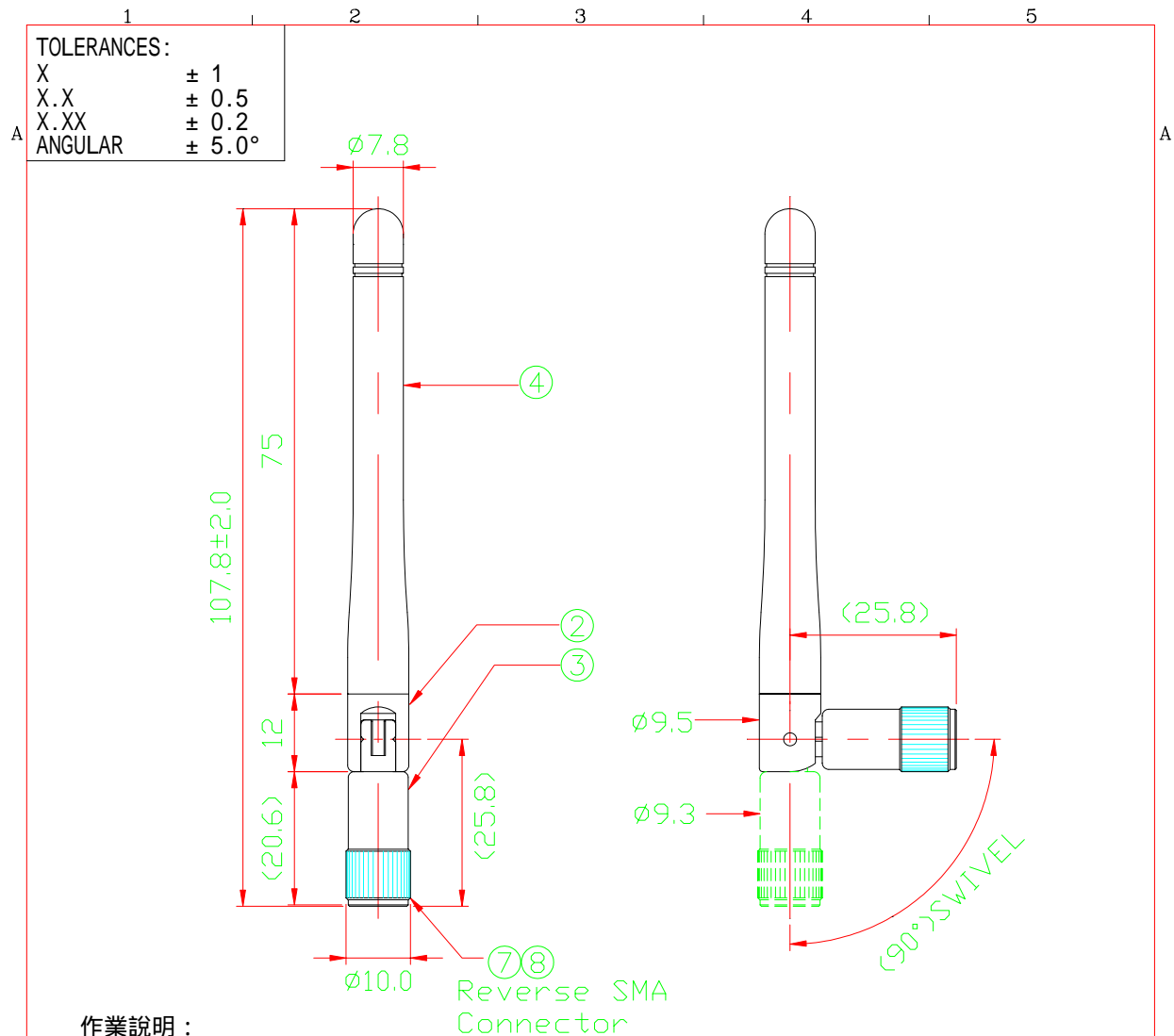
TEL : (02) 22988066 (5 LINE) FAX : (02)22981102

Table of Contents

Table of Contents	1
Specification	2
Antenna Drawing	3
Connector Drawing	4
Electrical Properties		
Return Loss	5
V.S.W.R	6
Radiation Pattern	7-8
Material Data Sheet		
Coaxial Cable	9-11
Housing	12
Hinge	13

SPECIFICATION

1. Description : The antenna is a Swivel Type ,
Monopole Antenna
2. Customer : 尚亞科技股份有限公司
3. Model No. : WSS002
4. Part No. : SHW0001A
5. Standard : IEEE 802.11b 11Mbps Wireless LAN
6. Antenna Profile : 108 mm length (see Drawing)
7. Color : Gray
8. Electrical Characteristics
 - Operating Frequency : 2.4~2.5Ghz
 - Antenna Type : $1/4\lambda$ Dipole Sleeve
 - Polarization Type : Linear
 - Type of Radiation : Toroidal
 - Peak Gain : 2.0 dBi Typical
 - Impedance : 50 Ohm nominal
 - V.S.W.R. : 2.0:1 Max.
9. Mechanical Characteristics
 - Action : Swivel Type
 - Connector : SMA Reverse Connector
 - Core : N/A
10. Raw Material
 - Coaxial Cable : MIL-C-17 RG-178 B/U
 - Housing : TPU
 - Hinge : Polycarbonate



作業說明：

- 天線本體，WSW0001A 2dBi 天線作業標準指導書規定製作。
 依據 AQ-0001A QC管理工程圖，執行品質管制。

9	Reverse SMA 10 本體	(B02892200300ME)	028922003SMA CONNECTOR 10				1	或同級品
	Reverse SMA 10 本體	250202BA1000VD	0202B-A Body Reverse SMA 10 Connector					或同級品
8	Reverse SMA 10 PIN絕緣	(B028922003A0ME)	028922003SMA CONNECTOR 10 母				1	或同級品
	Reverse SMA 10 PIN絕緣	250062BB2000VD	0062B-B PIN+TEFLON Reverse SMA 10					或同級品
7	Reverse SMA 10 連接軸	(BREVESESMA10ME)	L=8.7, 4.7	金			1	或同級品
	Reverse SMA 10 銀連接軸	250202BC1000VD	0202B-C1 銀連接軸 Reverse SMA 10 Connector	銀				或同級品
6	銅管 L19	(252315300000YO)	23-15-5 銅管<組合物>				1	或同級品
	銅管 L23.5	250289220010ME	028922001 5.2 天線銅管 L=23.5MM					或同級品
5	固定鉚釘	(691451938L10YO)	23-15-7 固定鉚釘<銅色>	古銅			2	或同級品
	固定鉚釘	6923151A0000SM	23-15-1 固定鉚釘鍍黑鍍1.9*3.8(奕星)	銅				或同級品
4	外套<灰>	(69950075L080IT)	IY072GR000 9.5 *75L 外套<灰>	灰(424U)			1	或同級品
	外套<灰>	69950075L080WA	IY072GR000 9.5 *75L 外套<灰>	灰(424U)				或同級品
3	下座<灰>	(699300000080IT)	IY113GR000 9.3 下座<灰>	灰			1	或同級品
	下座<灰>	699300000080WA	IY113GR000 9.3 下座<灰>	灰(424U)				或同級品
2	上座<灰>	(699500000080IT)	IY114GR000 9.5 上座<灰>	灰(424U)			1	或同級品
	上座<灰>	699500000080WA	IY114GR000 9.5 上座<灰>	灰(424U)				或同級品
1	CABLE	(B1RG17800030RC)	RG-178 CABLE 橙(聯穎)	橙			1	或同級品
	RG-178 Coaxial Cable	19RG17800030AE	RG-178 CABLE 105SV(萬泰)	橙	92			或同級品
NO	材料名稱	環材	電腦編號	零件規格	顏色	切斷尺寸	用量	備註

修訂日期：03/08/20 制訂日期：03/08/14

頁數：1/3 核准 審查 作成

第三角法

單位：mm

比例：1:1

郭雅珍

承認圖號

ENSHW0001A00

品名

SWIVEL TYPE, 1/4 DIPOLE ANTENNA
REVERSE SMA CONNECTOR

成品編號

SHW0001

REV

A

VERSION

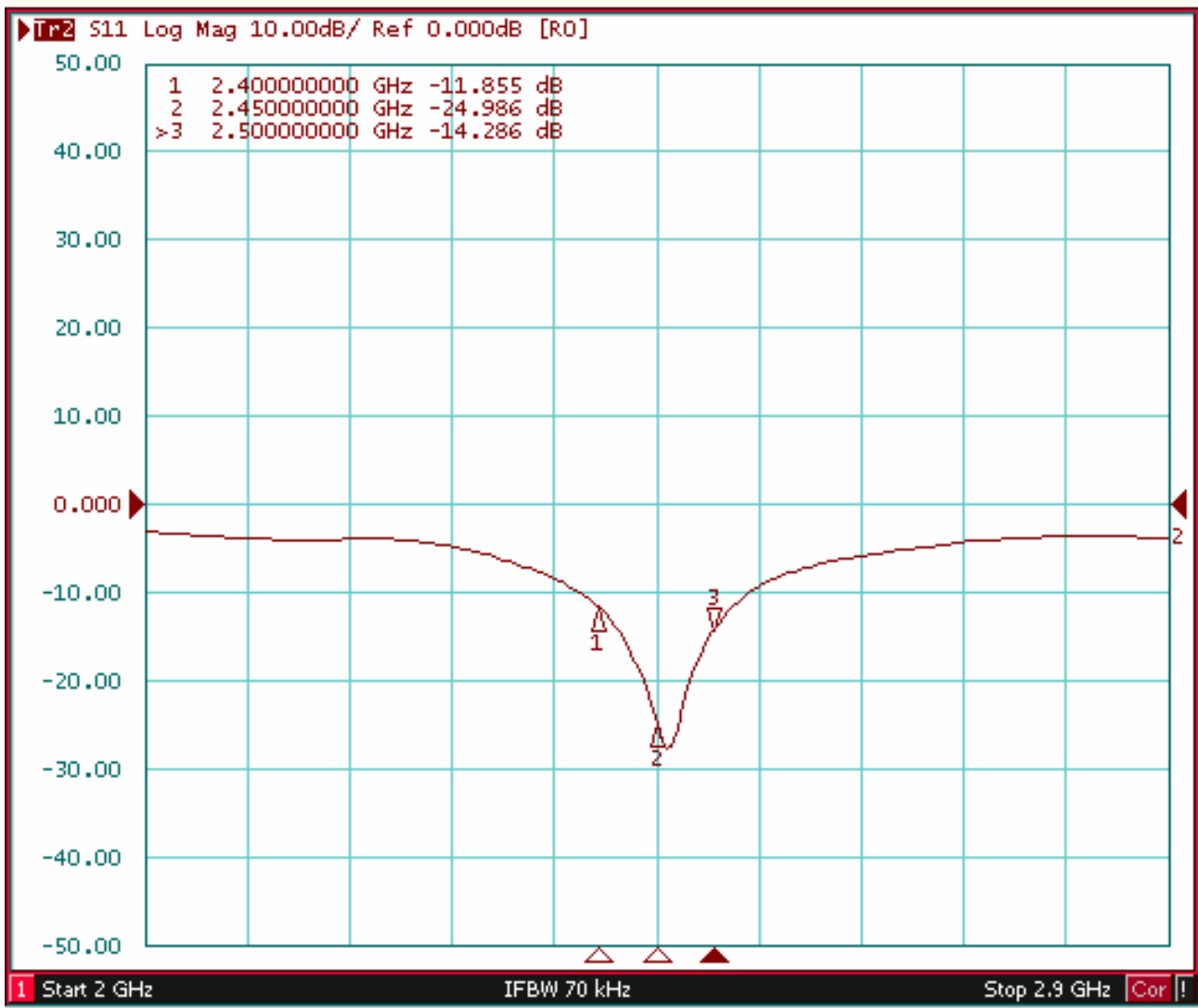
1

萬旭電業股份有限公司

文件編號：FMT-0513-C7

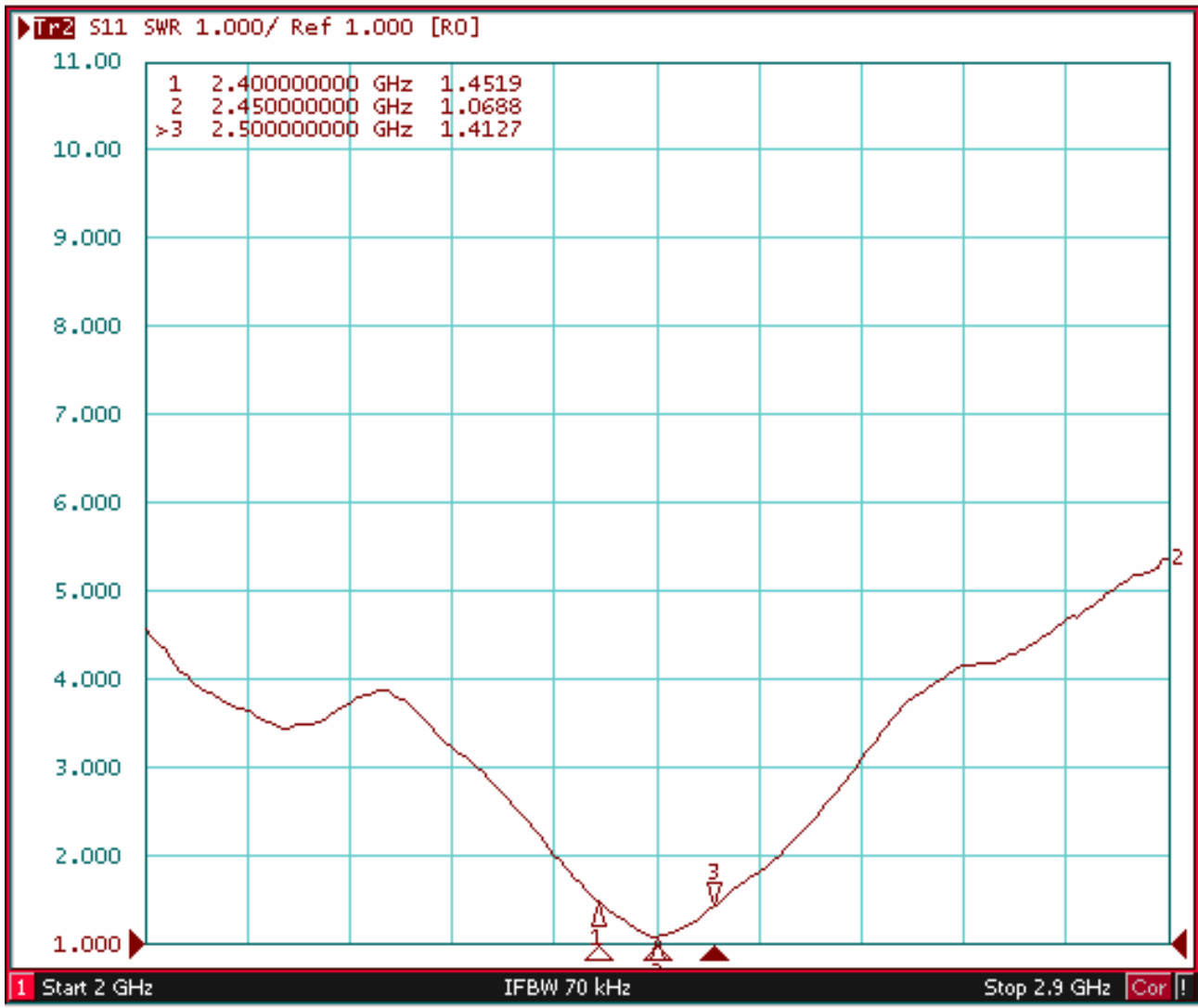
Electrical Properties

Return Loss



Electrical Properties

V.S.W.R



Electrical Properties

Radiation Pattern – H Plane

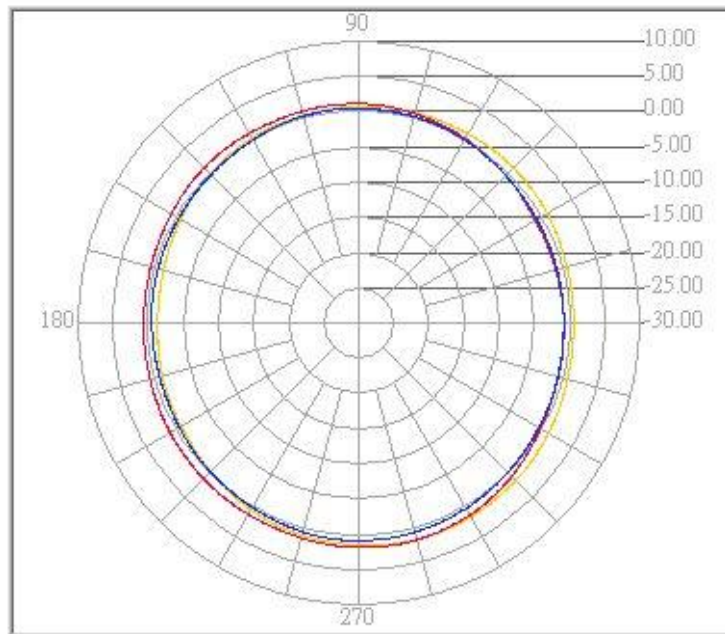


萬旭電業股份有限公司

Model No: SHW0001

Antenna Position: Vertical

Test Mode: H-PLANE



Freq(MHz)	peak(dBi)	Angle(o)	Avg(dBi)
2400.00	1.89	291.61	0.62
2450.00	1.96	275.13	0.76
2490.00	0.94	265.49	-0.04

Test engineer: _____

Test date: 2003/6/30 at PM 01:38

Electrical Properties

Radiation Pattern – E Plane

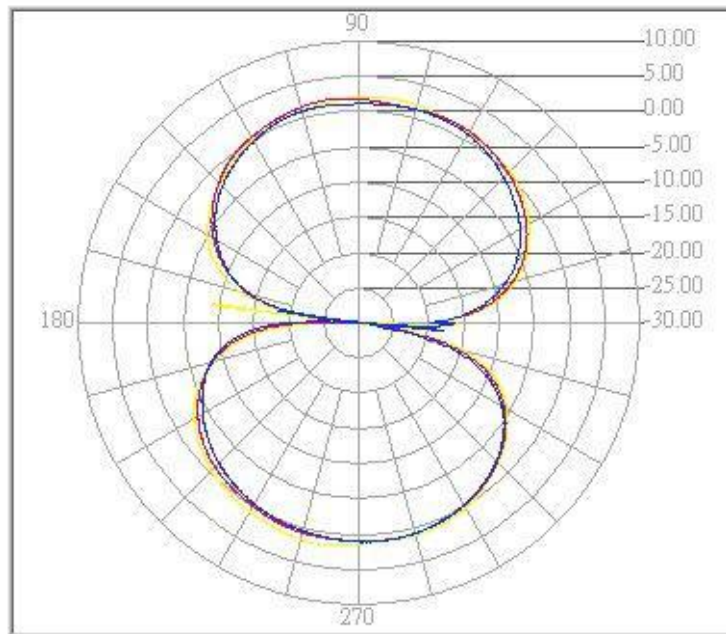


萬旭電業股份有限公司

Model No: SHW0001

Antenna Position: Horizontal

Test Mode: E PLANE



Freq(MHz)	peak(dBi)	Angle(o)	Avg(dBi)
2400.00	2.20	83.79	-1.03
2450.00	2.01	96.52	-1.34
2490.00	1.38	73.55	-1.75

Test engineer: _____

Test date: 2003/6/26 at PM 04:48

Coaxial Cable Data Sheet
RG-178

SPECIFICATION FOR APPROVAL

DOCUMENT: A30178B001

STYLE : 200 30V
RG-178B/U

SIZE: 7/0.102 SCCS

RECOGNIZED:

WONDERFUL HI-TECH CO.,LTD

OFFICE : 72WU KONG 6TH ROAD,
WU KU IND. DISTRICT
TAIPEI HSIEN,TAIWAN

FACTORY : 17 PEI YUAN ROAD,
CHUNG-LI IND. PARK
TAIWAN, R.O.C.

TEL : (02)22988033

FAX : (02)22988031-2

TEL : (03)4527777

FAX : (03)4517214

WONDERFUL HI-TECH CO., LTD SPECIFICATION

STYLE	200 30V COAXIAL	DOCUMENT NO : A30178B001	
SIZE	RG-178B/U	ESTABLISHED DATE: 2003/02/13	
STANDARD : MIL-C-17			
Conductor	Size	AWG	30
	Material	----	Silver-Coated Copper Clad Steel
	Conductors No.	----	7
	Conductors Size	mm	0.102
	O.D.	mm	0.30
Insulation	Average Thickness	mm	0.28
	Diameter	mm	0.86
	Material	----	FEP
	Color	----	Clear
Braid	Material	----	Silver-Coated Copper
	Construction	mm	16 / 3 / 0.10
	Coverage	%	95
Jacket	Average Thickness	mm	0.25
	Diameter	mm	1.80 ± 0.05
	Material	----	FEP
	Color	----	Brown
Marking			
Drawing			

AK001/210X297/1.0

PAGE : 1

EDITION : 1.1

REVISED DATE :

MAKER : C.Y.CHEN

CONFIRM : S.N.WONG

APPROVAL : W.J.WANG

WONDERFUL HI-TECH CO., LTD

SPECIFICATION

Electrical & Physical Properties						
Item		RG-178B/U				
Rating Temp Voltage		200 30V				
Conductor Resistance		838 OHM/KM/20 MAX.				
Insulation Resistance		3000 MEGA OHM/KM MIN.				
Dielectric Strength		AC 1.0 KV/Minute				
Spark Test		2.0 KV				
Insulation	Unaged	Tensile Strength	2500 PSI MIN.(1.76 Kg / m m ²)			
		Elongation	200% MIN.			
	Aged	Tensile Strength	UNAGED MIN 75%(168HRS×232)			
		Elongation	UNAGED MIN 75%(168HRS×232)			
Jacket	Unaged	Tensile Strength	2500 PSI MIN.(1.76 Kg / m m ²)			
		Elongation	200% MIN.			
	Aged	Tensile Strength	UNAGED MIN.75%(168HRS×232)			
		Elongation	UNAGED MIN.75%(168HRS×232)			
Nom. Impedance		50 Ohms				
Nom. Capacitance		95.8 pF/m				
Nom. Vel. of Prop.		69.5%				
VSWR (0 – 6 GHZ)		UNDER 1.3				
Attenuation (dB/100m)	100MHz	1GHz	1.8GHz	2.4GHz	5.2GHz	6GHz
	46	155	295	340	505	550

AK001/210X297/1.0

PAGE : 2

EDITION : 1.1

REVISED DATE :

MAKER : C.Y.CHEN

CONFIRM : S.N.WONG

APPROVAL : W.J.WANG

Housing Material Data Sheet

- Housing - TPU

Elastogran GmbH
Geschäftsbereich TPU-Elastomere



Elastogran GmbH - Postfach 1140 - 49440 Lemförde - Germany
WGJ COMPANY LTD.

P.O. BOX 36 - 431
RC TAOYUAN HSIEN

BASF Gruppe

Date 18.07.2001
No. 62046

Inspection Certificate EN 10 204-3.1 B (DIN 50048)

Product : ES 95 A 50 000 S No. : 15002939
Batch : 207672
Basic-Batch 207673

Property	Test method	Unit	Value
Dichte	DIN 53479	g/cm ³	1,24
Shore-Haerte D	DIN 53505	-	50
Zugfestigkeit	DIN 53504	MPa	53
Reissdehnung	DIN 53504	%	550
Abrieb	DIN 53516	mm ³	22

Dichte = Density/Densité, Shore Härte = Shore hardness/Shore Dureté, Zugfestigkeit = Tensile strength/Resistance traction,
Reißdehnung = Elongation at break/Allongement rupture, Weibens/Bwiderstand = Tear strength, Abrieb = Abrasion loss/Abrasion

The stated values are measured from a representative batch (basic-batch) of every product campaign.

Test platens are injection moulded from dry granulate with less than 0,05 % water content. Test platens tempered 20 hrs. at 100 °C,
then cooled to 23 °C / 50 % RH before testing. Test specimen cut from test platens.

We hereby certify, that the material described above complies with the terms of the order contract

Höfner Schoots

Works inspector

The above information is derived from our quality checks. It does not relieve the purchaser from examining the product upon delivery
and gives no assurance of suitability of the product for any particular purpose.

Landwehrweg
49448 Lemförde
Deutschland
Telefon (0 54 43) 12-0
Telex (0 54 43) 12-25 55

Bankverbindung: Commerzbank AG, Osnabrück
(BLZ 265 400 70) Kto.-Nr. 53 56001/00
IBAN: DE 36 2654 0070 0535 6001 00
S.W.I.F.T.-Code: Cobod333
Postbank München
(BLZ 700 100 80) Kto.-Nr. 1532 91 - 803

Sitz der Gesellschaft: 49448 Lemförde
Geschäftsführer:
Gerhard H.-J. Hellmann (Spracher)
Reinhard Leppkes
Registriergericht: Amtsgericht Diepholz
Eintragungsnummer: HRB 2163

- Hinge(Base/Holder)- Polycarbonate(PC)

