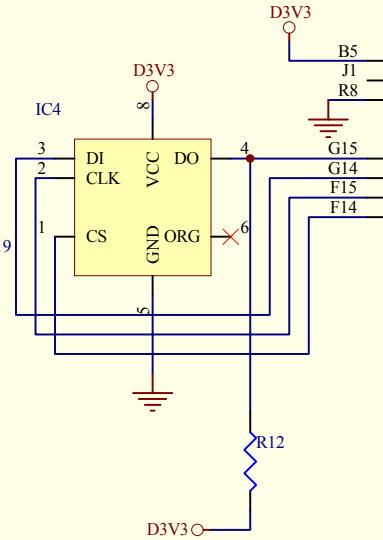
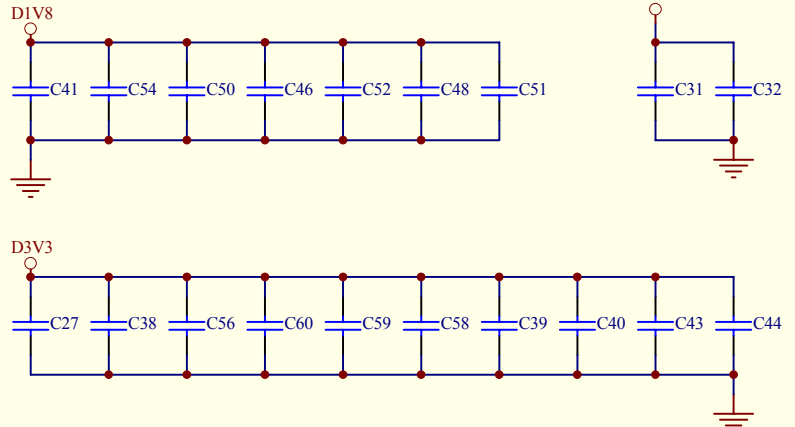
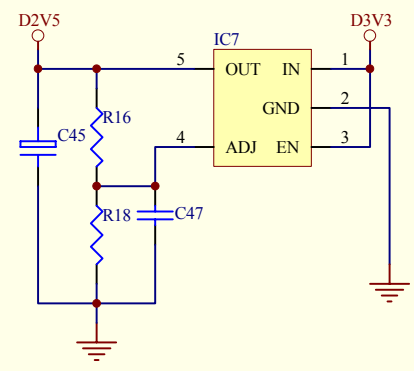
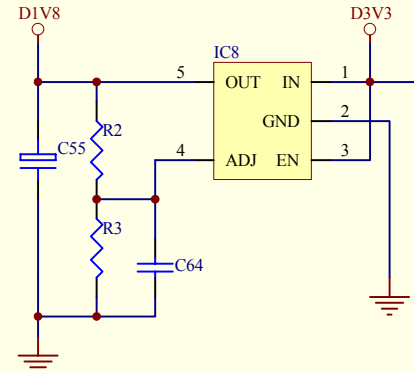
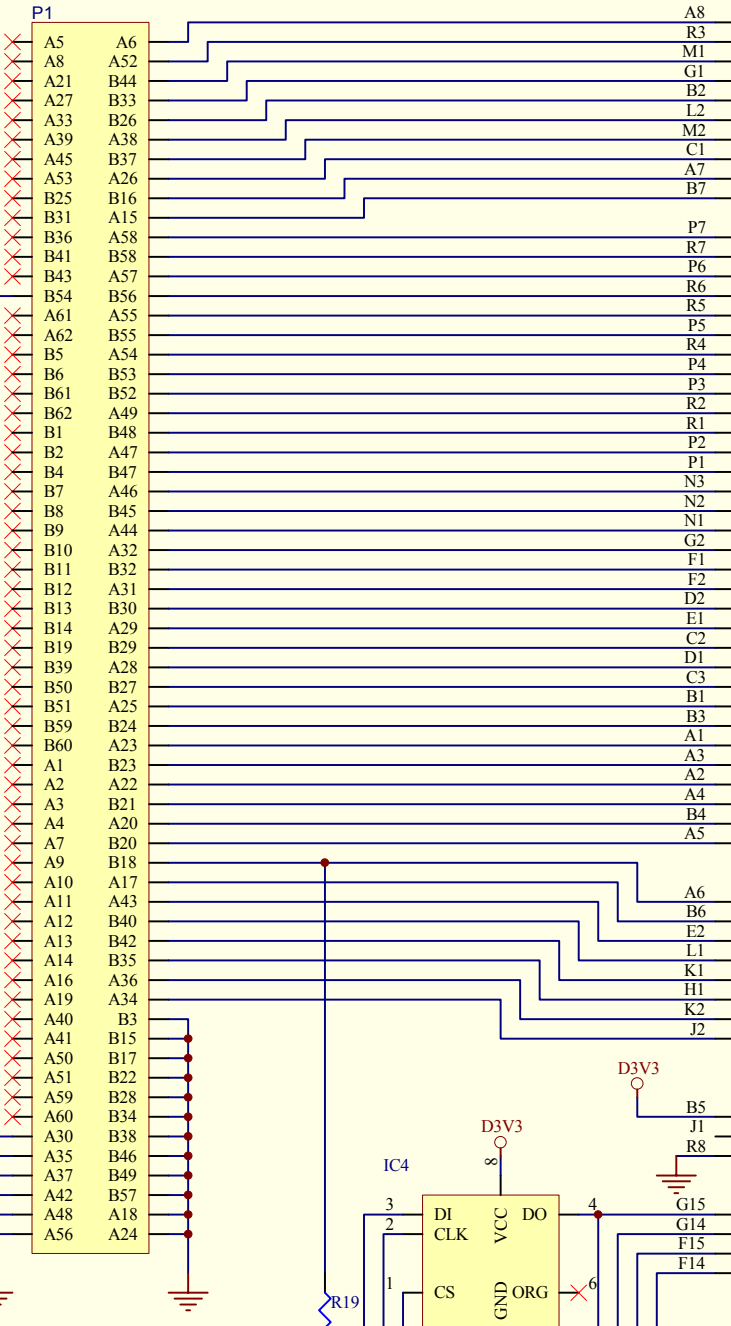
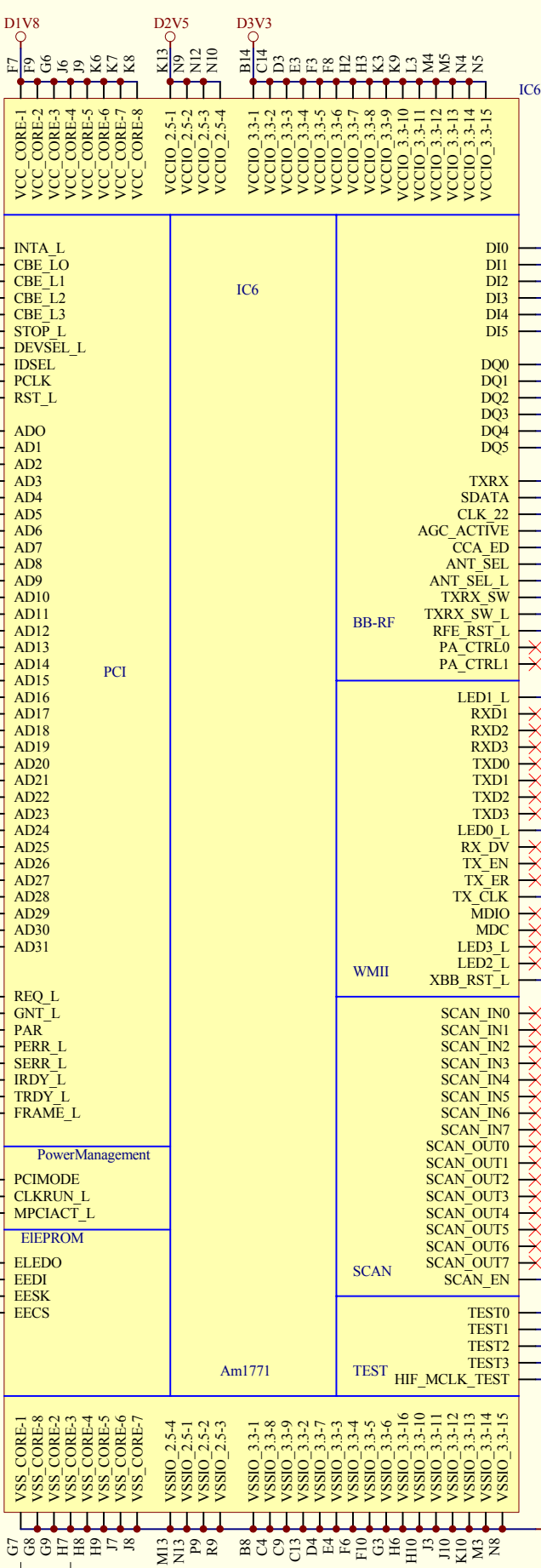
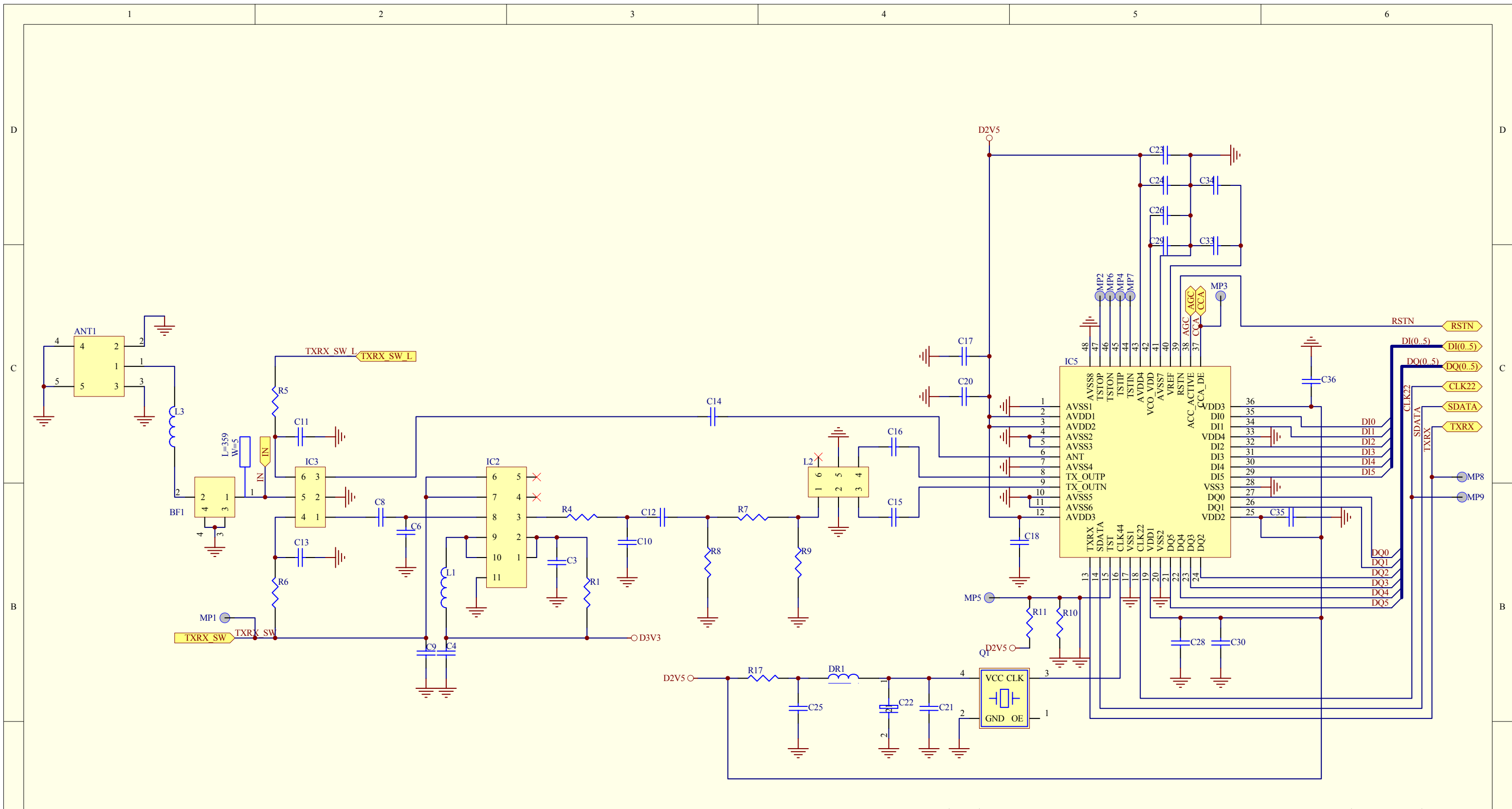



REVISION RECORD		
REV	ECO	DATE



Sheet2	Sheet2.Sch
CCA	CCA
AGC	AGC
RSTN	RSTN
DI(0..5)	DI(0..5)
DQ(0..5)	DQ(0..5)
CLK22	CLK22
SDATA	SDATA
TXRX	TXRX
ANT_DIV	ANT_DIV
ANT_DIV_L	ANT_DIV_L
TXRX_SW	TXRX_SW
TXRX_SW_L	TXRX_SW_L
IN	IN

03	31-Mar-2003	Joan
REV	DESCRIPTIONS	DATE
DWG TITLE: <b>WI288P SCHEMATIC</b>		
DRAWN: Joan	DATE: 10-Apr-2003	USED ON: WI288P
CHECKED: -	DATE: -	DWG NO: 41713-82801-01
APPROVED: -	DATE: -	Size: A3 Sheet 1 of 2
File Name: C:\PCBC.P\WI288P\PCB\WI288P.ddb - Documents\41713-82801-03\Sheet1.Sch		



03			31-Mar-2003	Joan
REV	DESCRIPTIONS		DATE	DRAWN
DWG TITLE <b>WI288P SCHEMATIC</b>				
	DRAWN	Joan	DATE	10-Apr-2003
	CHECKED		DATE	- -
	APPROVED		DATE	- -
Size	B	Sheet	2 of 2	USED ON
				<b>WI288P</b>
				DWG NO.
				<b>41713-82801-01</b>
File Name: C:\PCB\C.P\WI288P\PCB\WI288P.ddb - Documents\41713-82801-03\Sheet2.Sch				