

REVISION RECORD			
REV	ECO	DESCRIPTION	DATE
A			16/Aug/2005

- 82011-83802ES01-2-A
82011-83802ES01-2-A.SCH
- IREF
 - RX_BB_Q-
 - PA_RFING
 - RX_BB_Q+
 - RX_BB_I-
 - RX_BB_I+
 - 40MI
 - RF_LE-G#
 - RADIO_PD#
 - SYNCLK
 - SYNDATA
 - RFIN_G
 - RFTX_PE
 - RFRX_PE
 - TX_BB_I-
 - TX_BB_I+
 - TX_BB_Q+
 - TX_BB_Q-

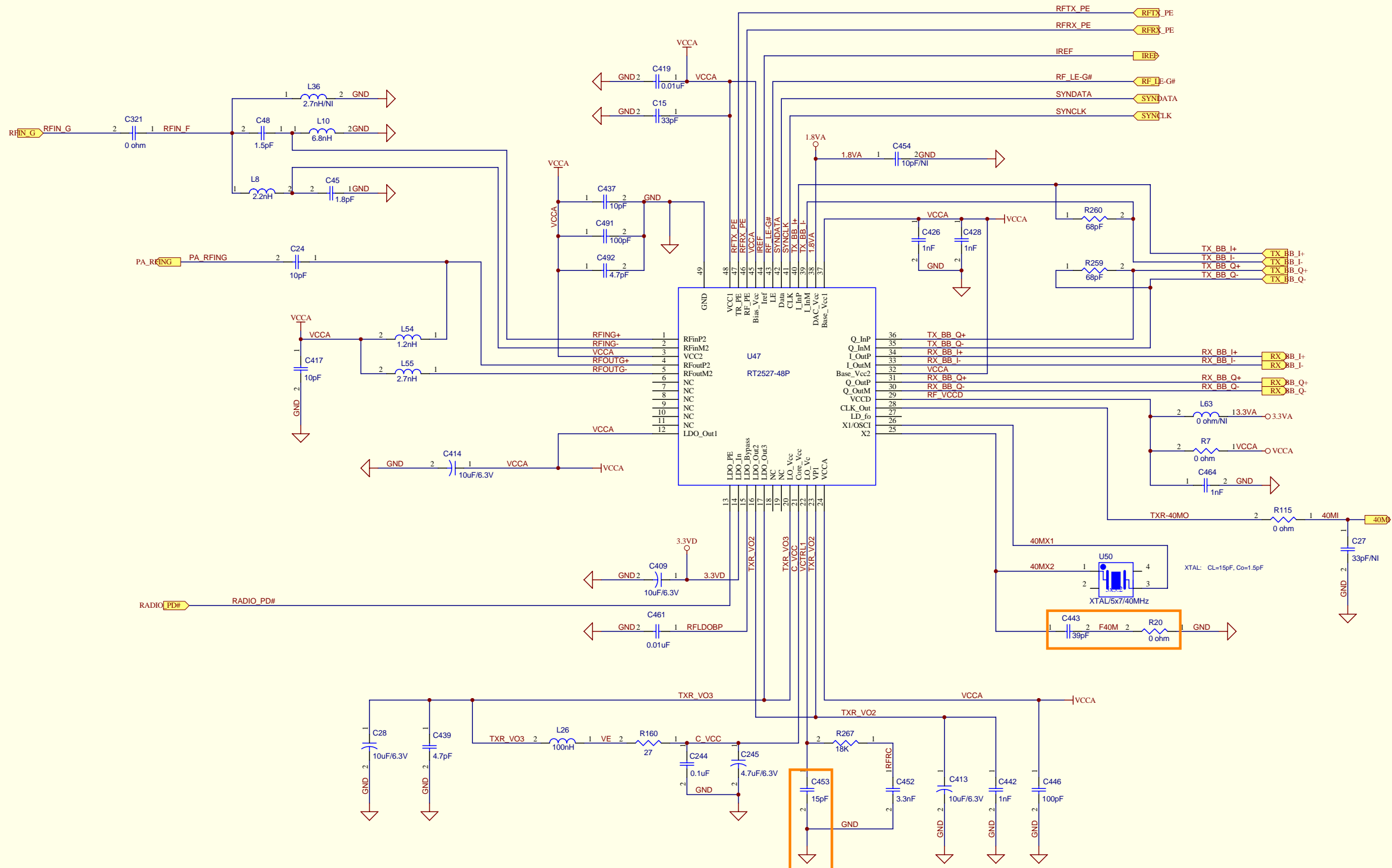
- 82011-83802ES01-3-A
82011-83802ES01-3-A.SCH
- RFIN_G
 - PA_RFING
 - PA_PE_G
 - TR_SW0
 - TR_SWNO

- 82011-83802ES01-4-A
82011-83802ES01-4-A.SCH
- PAR
 - CBE1B
 - CBE0B
 - DEVSELB
 - SERRB
 - PERRB
 - STOPB
 - TRDYB
 - FRAMEB
 - IRDYB
 - CBE2B
 - INTAB
 - CBE3B
 - RFTX_PE
 - RFRX_PE
 - TR_SW0
 - RADIO_PD#
 - PA_PE_G
 - TX_BB_I+
 - TX_BB_I-
 - TX_BB_Q-
 - TX_BB_Q+
 - REQB
 - SYNDATA
 - RF_LE-G#
 - SYNCLK
 - AD[0..31]
 - MRSTB
 - CCLK
 - IDSEL
 - IREF
 - RX_BB_I+
 - RX_BB_I-
 - RX_BB_Q-
 - RX_BB_Q+
 - 40MI
 - GNTB

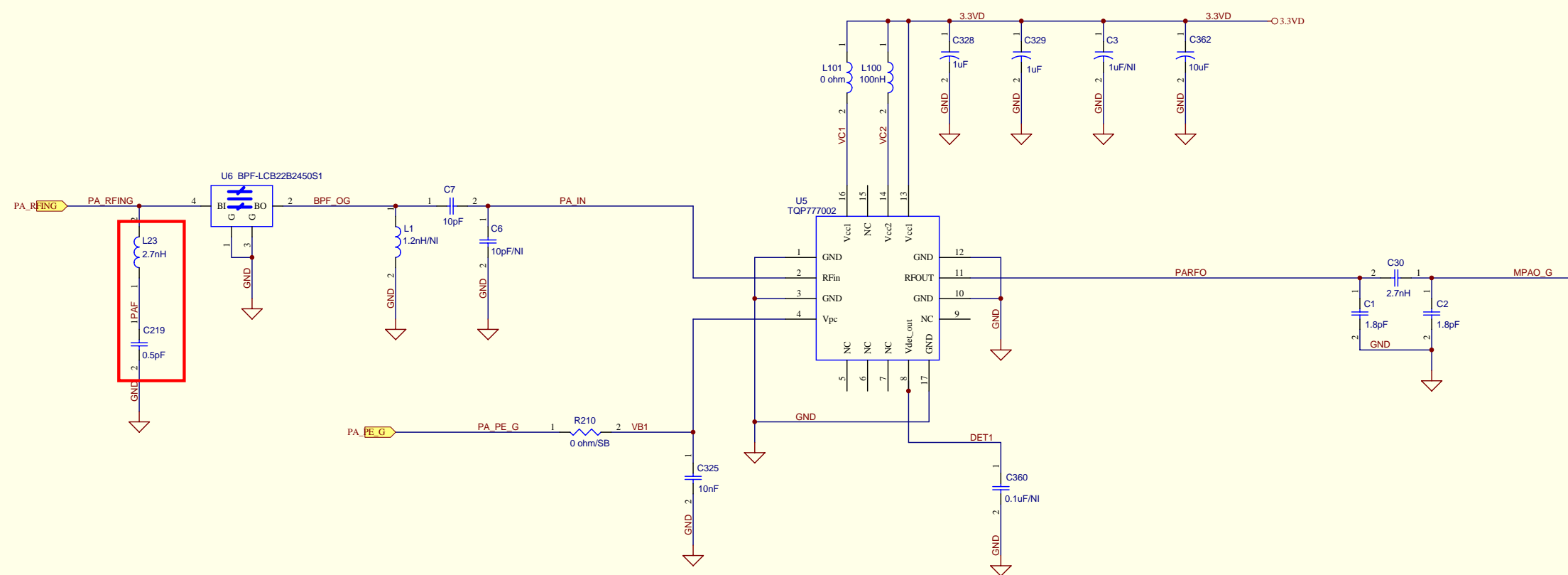
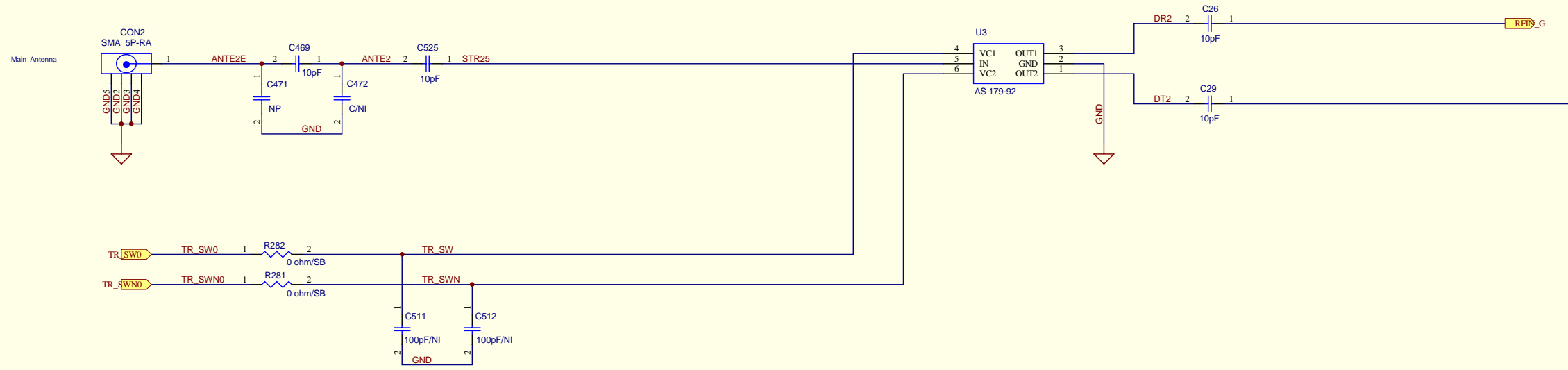
- 82011-83802ES01-5-A
82011-83802ES01-5-A.SCH
- DEVSELB
 - AD[0..31]
 - IDSEL
 - MRSTB
 - GNTB
 - IRDYB
 - CCLK
 - CBE2B
 - PAR
 - PERRB
 - CBE3B
 - TRDYB
 - CBE1B
 - FRAMEB
 - CBE0B
 - STOPB
 - REQB
 - SERRB
 - INTAB

A	Joan	16/Aug/2005	Laurence	16/Aug/2005	Alex	16/Aug/2005
REV	ISSUED	DATE	CHECKED	DATE	APPROVED	DATE
DWG TITLE Wireless LAN 11g PCI adapter						
	DRAWN	Joan	DATE	16/Aug/2005	USED ON WI233L	
	CHECKED	Laurence	DATE	16/Aug/2005	DWG NO. 82011-83802 ES01	
	APPROVED	Alex	DATE	16/Aug/2005		
Size	B	Sheet 1 of 5		File Name: D:\PCB(試產)\WI233L(41713-83802)\41713-83802EL01-A.ddb - Documents\82011-83802ES01-1-		

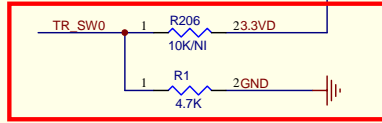
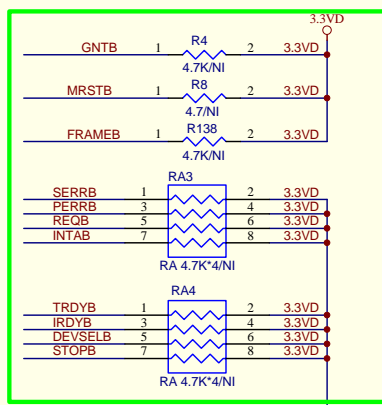
PEF00009B



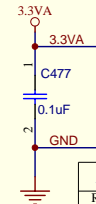
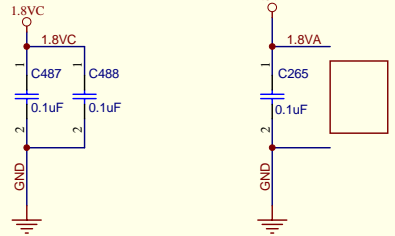
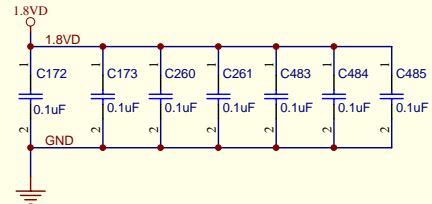
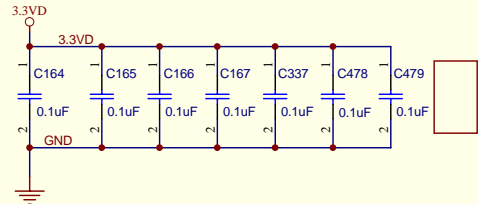
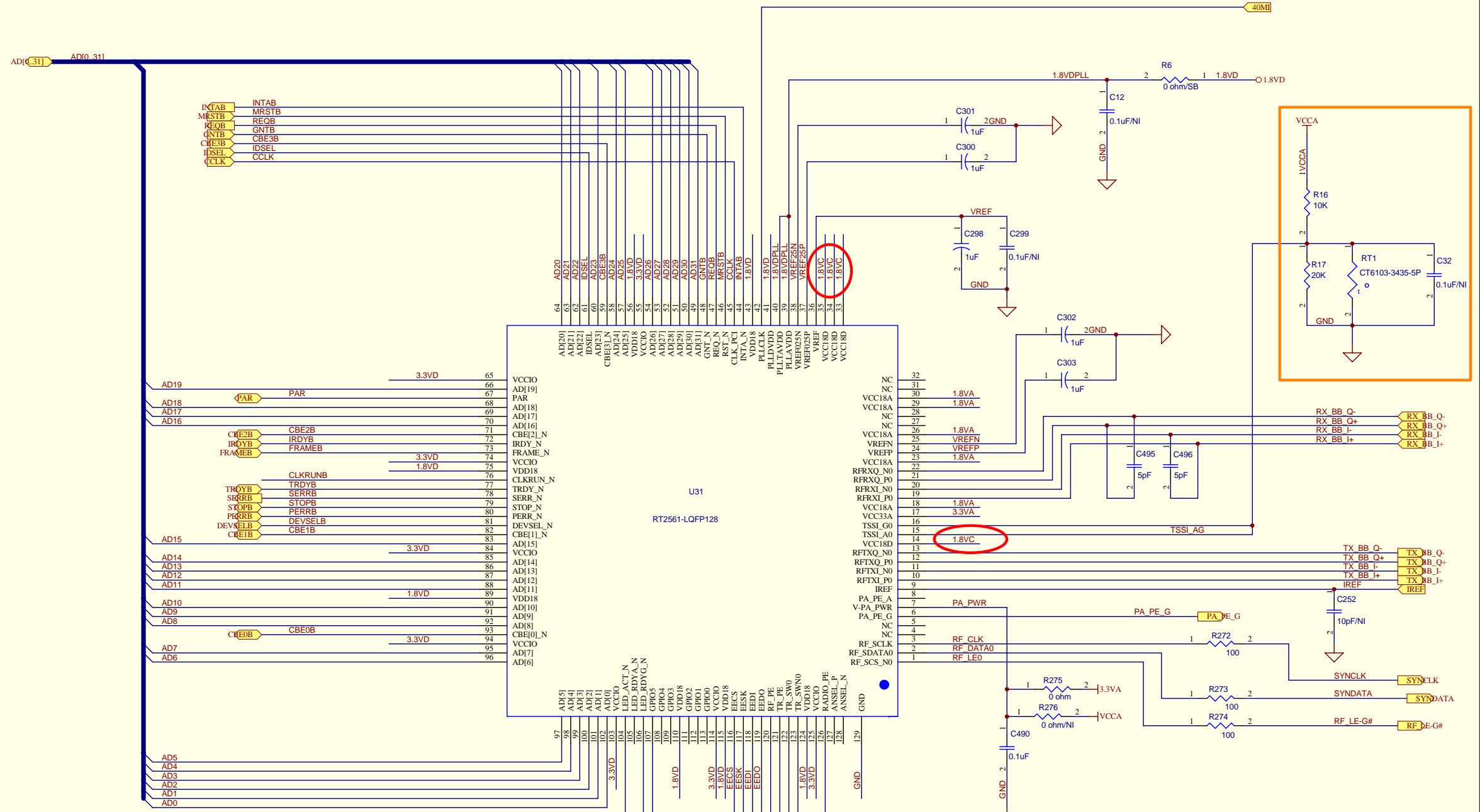
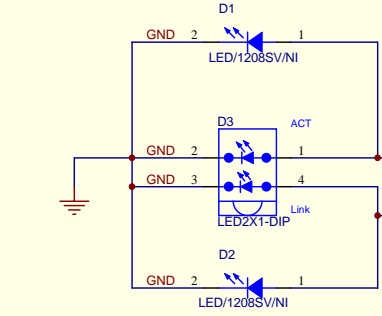
REV	ISSUED	DATE	CHECKED	DATE	APPROVED	DATE
A	Joan	16/Aug/2005	Laurence	16/Aug/2005	Alex	16/Aug/2005
DWG TITLE						
Wireless LAN 11g PCI adapter						
DRAWN		DATE	USED ON			
CHECKED		DATE	DWG NO.		W1233L	
APPROVED		DATE	DWG NO.		82011-83802 ES01	
Size	Sheet 2 of 5		File Name: D:\PCB(試製)\W1233L(41713-83802)\41713-83802EL01-A.dtb - Documents\82011-83802ES01-2-A.SCH			



REV	ISSUED	DATE	CHECKED	DATE	APPROVED	DATE
A	Joan	16/Aug/2005	Laurence	16/Aug/2005	Alex	16/Aug/2005
DWG TITLE						
Wireless LAN 11g PCI adapter						
DRAWN			DATE	USED ON		
CHECKED			DATE	W1233L		
APPROVED			DATE	DWG NO.		
Alex			16/Aug/2005	82011-83802 ES01		
Size	Sheet 3 of 5		File Name: D:\PCB(試製)\W1233L(41713-83802)\41713-83802EL01-A.dib - Documents\82011-83802ES01-3-A.SCH			

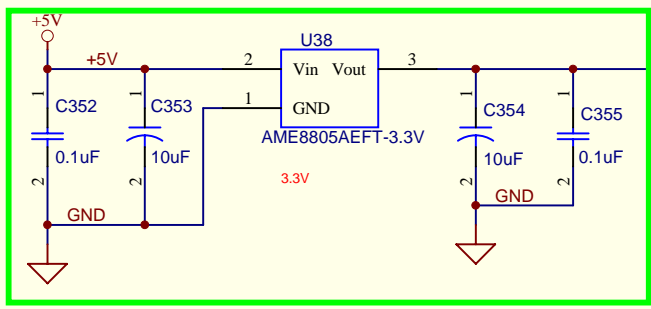


Mode	Install	Not Install
93C46	R206	R1
93C66	R1	R206

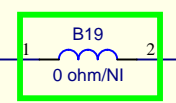
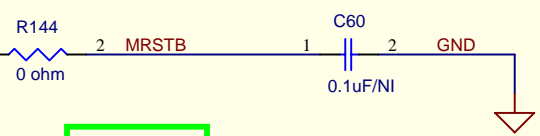


REV	ISSUED	DATE	CHECKED	DATE	APPROVED	DATE
A	Joan	16/Aug/2005	Laurence	16/Aug/2005	Alex	16/Aug/2005

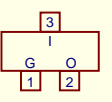
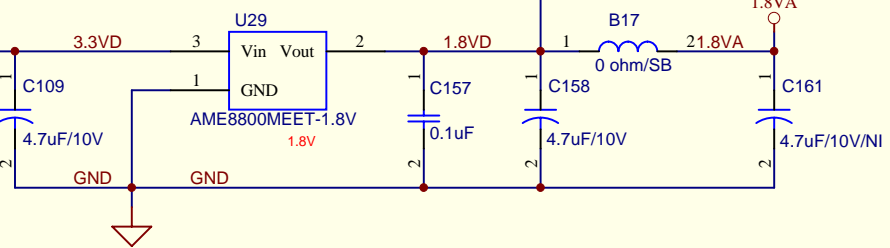
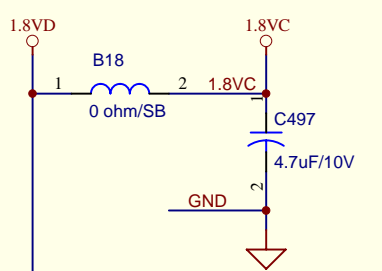
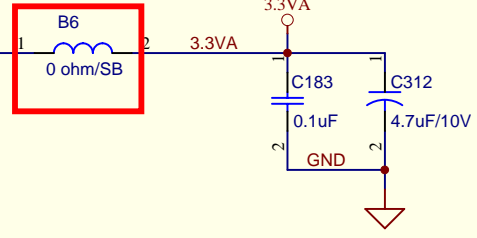
DWG TITLE: Wireless LAN 11g PCI adapter
 DRAWN: Joan DATE: 16/Aug/2005 USED ON: WI233L
 CHECKED: Laurence DATE: 16/Aug/2005 DWG NO.: 82011-83802 ES01
 APPROVED: Alex DATE: 16/Aug/2005
 Size: C Sheet 4 of 5 File Name: D:\PCB(試製)\WI233L(41713-83802)\41713-83802EL01-A.dwg - Documents\82011-83802ES01-4-A.SCH



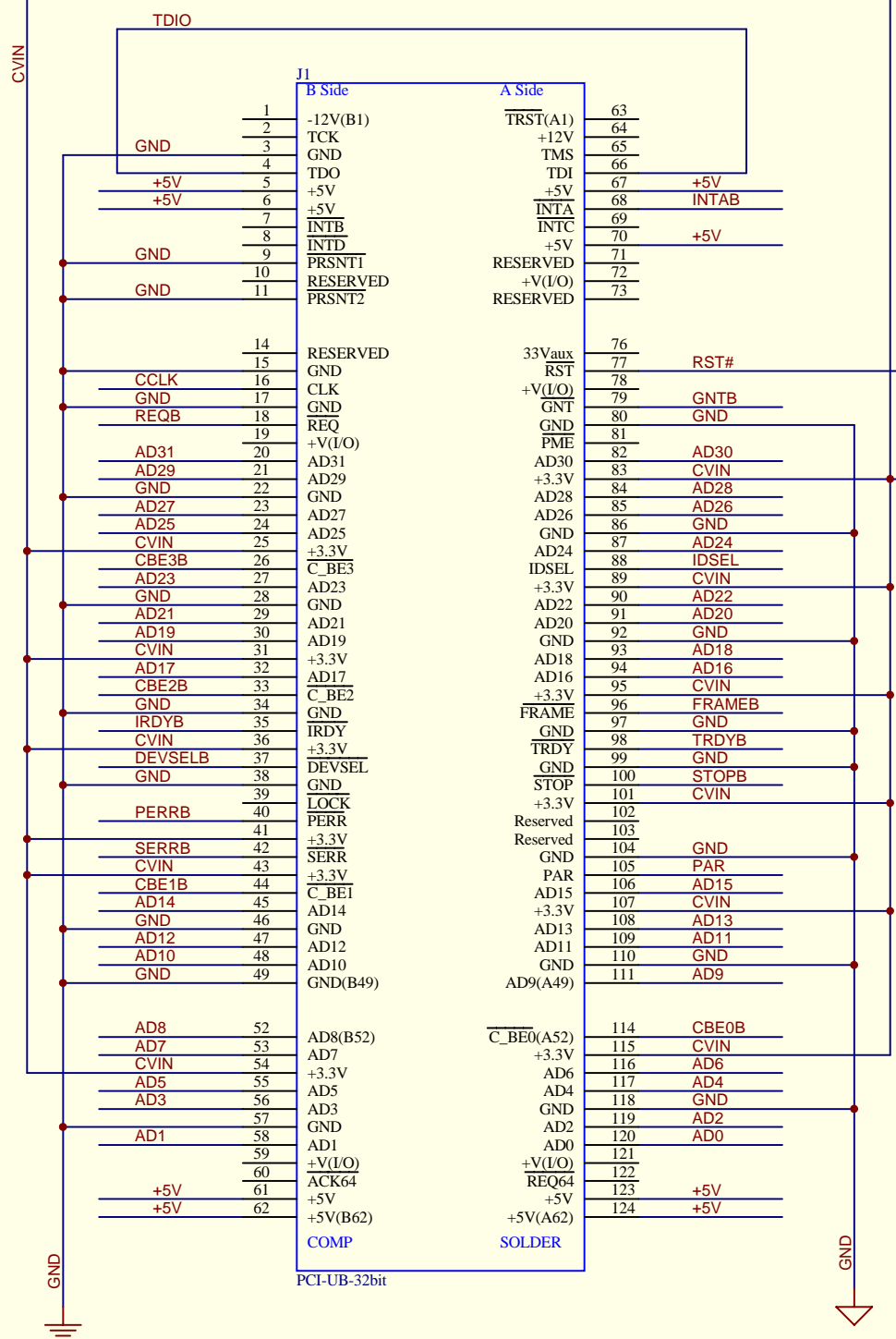
Not installed for 3.3V I/F.



Interface	Install	Not Install
5V I/F	U38, C352, C353, C354, C355	B19
3.3V I/F	B19, C314	U38, C352, C353, C354, C355



- GNTB → GNTB
- REQB → REQB
- MRSTB → MRSTB
- AD[0..31] → AD[0..31]
- CBE0B → CBE0B
- CBE1B → CBE1B
- CBE2B → CBE2B
- CBE3B → CBE3B
- PAR → PAR
- TRDYB → TRDYB
- IRDYB → IRDYB
- INTAB → INTAB
- IDSEL → IDSEL
- STOPB → STOPB
- DEVSELB → DEVSELB
- PERRB → PERRB
- FRAMEB → FRAMEB
- SERRB → SERRB
- CCLK → CCLK



A	Joan	16/Aug/2005	Laurence	16/Aug/2005	Alex	16/Aug/2005
REV	ISSUED	DATE	CHECKED	DATE	APPROVED	DATE
DWG TITLE Wireless LAN 11g PCI adapter						
DRAWN Joan		DATE 16/Aug/2005		USED ON WI233L		
CHECKED Laurence		DATE 16/Aug/2005		DWG NO. 82011-83802 ES01		
APPROVED Alex		DATE 16/Aug/2005		File Name: D:\PCB(試産)\WI233L(41713-83802)\41713-83802EL01-A.ddb - Documents\82011-83802ES01-5-A		
Size	A3	Sheet	5 of 5			