

- 82011-83801ES01-A-3  
82011-83801ES01-A-3.SCH
- AD[0..31]
  - CBE3B
  - INTAB
  - REQB
  - TX\_BB\_I+
  - TX\_BB\_Q+
  - TX\_BB\_I-
  - TX\_BB\_Q-
  - RADIO\_PD#
  - PA\_PE\_G
  - LNA0
  - LNA1
  - SYNDATA
  - RFRX\_PE
  - TR\_SW
  - SYNCLK
  - RF\_LE-G#
  - IRDYB
  - FRAMEB
  - TRDYB
  - CBE2B
  - STOPB
  - DEVSELB
  - AGC
  - RFTX\_PE
  - TR\_SWN
  - PERRB
  - SERRB
  - PAR
  - CBE1B
  - CBE0B
  - 40MI
  - MRSTB
  - INTAB
  - GNTB
  - REQB
  - FRAMEB
  - STOPB
  - TRDYB
  - IRDYB
  - SERRB
  - PERRB
  - RF\_LE-G#
  - CLKRUNB
  - RXBB\_Q-
  - RXBB\_I+
  - RXBB\_Q+
  - RXBB\_I-

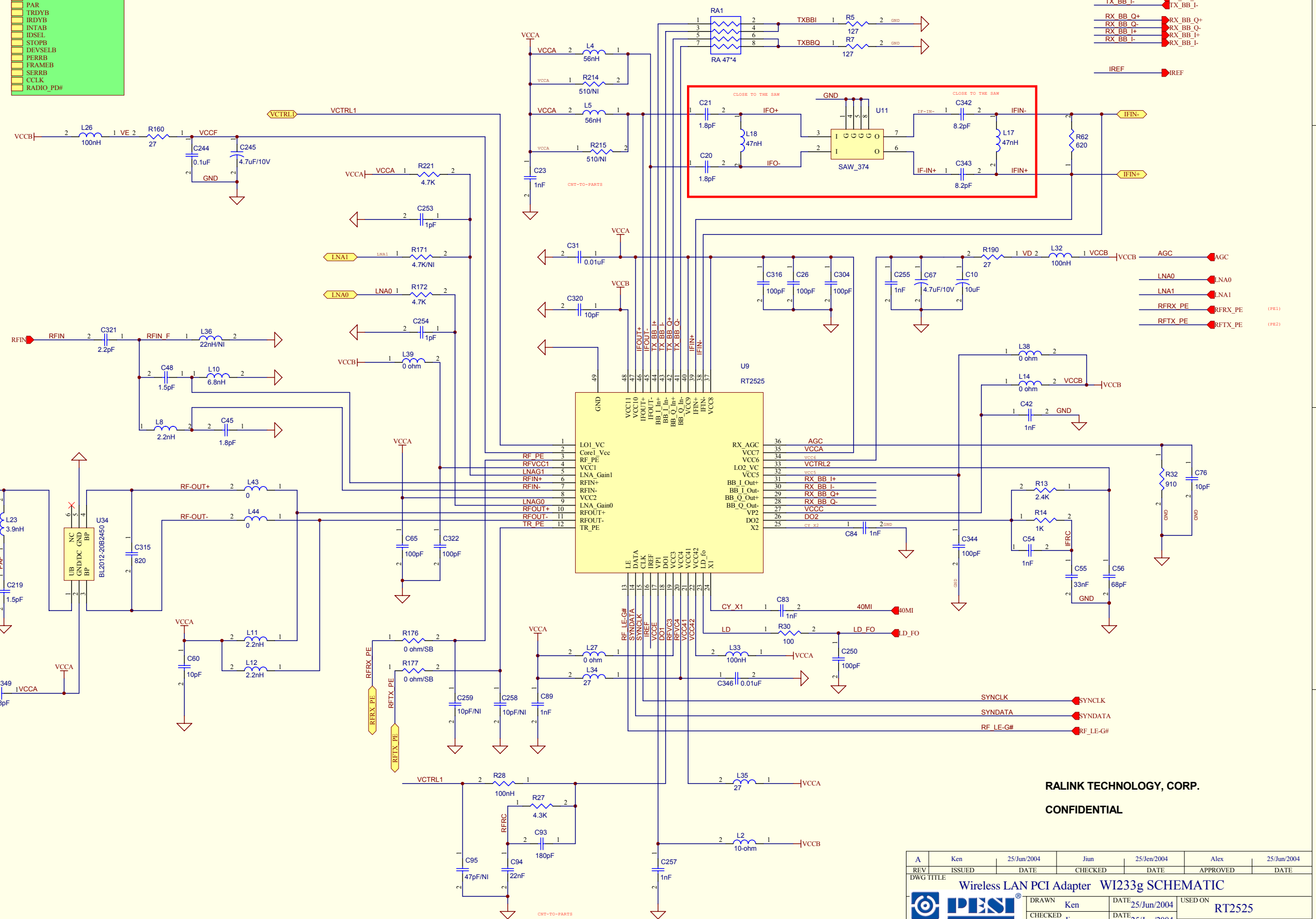
- 82011-83801ES01-A-4  
82011-83801ES01-A-4.SCH
- GNTB
  - REQB
  - MRSTB
  - AD[0..31]
  - CBE0B
  - CBE1B
  - CBE2B
  - CBE3B
  - PAR
  - TRDYB
  - IRDYB
  - INTAB
  - IDSEL
  - STOPB
  - DEVSELB
  - PERRB
  - FRAMEB
  - SERRB
  - CLK
  - RADIO\_PD#

- 82011-83801ES01-A-2  
82011-83801ES01-A-2.SCH
- RFIN
  - TSSI
  - TR\_SWN
  - TR\_SW
  - PA\_RF1N
  - LNA1
  - PA\_PE\_G

REVISION RECORD			
REV	ECO	DESCRIPTION	DATE

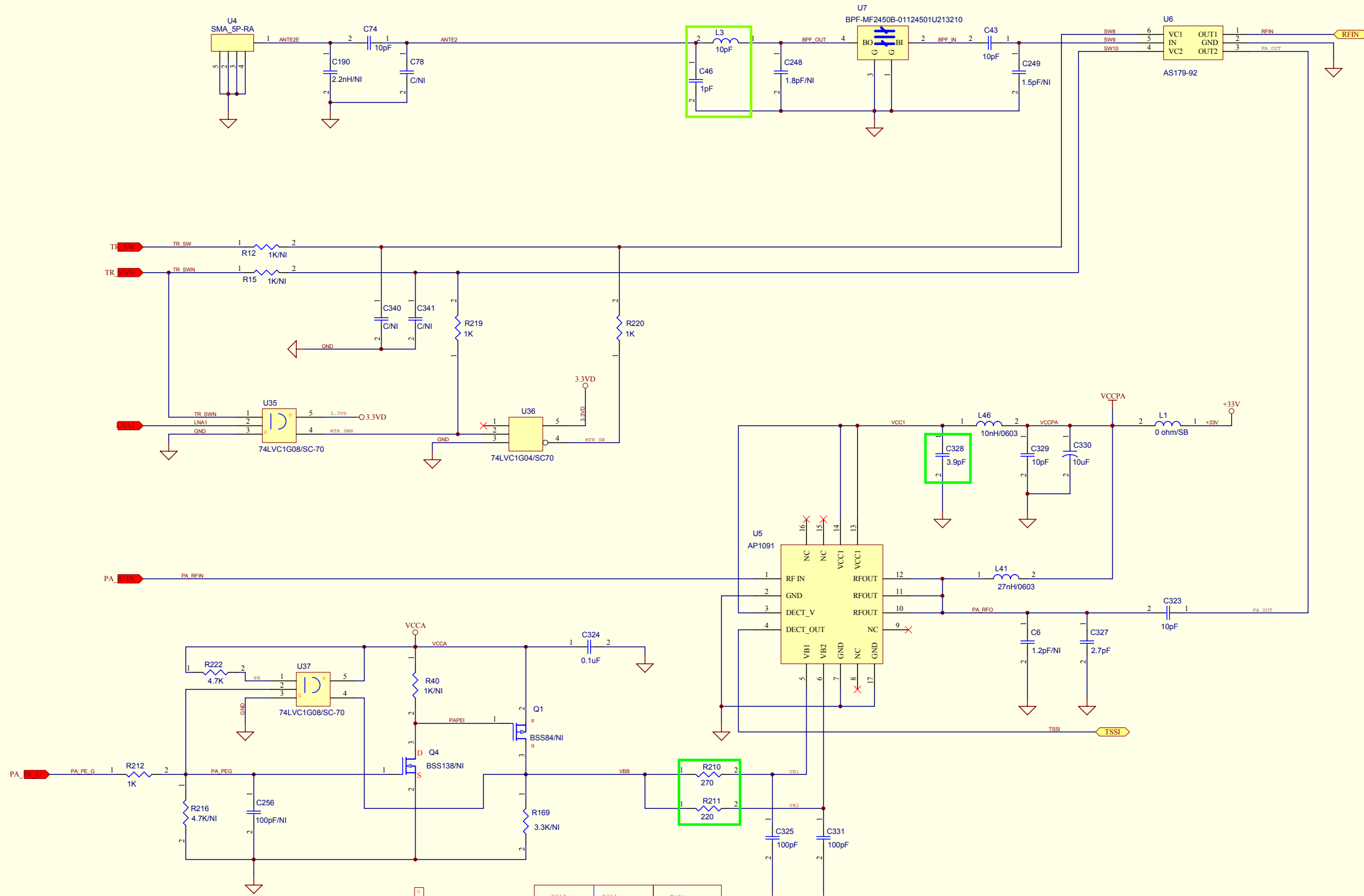
U11 (SAW Filter)	C21, C21	C342, C343	L18
TFS374A (Telefilter)	1.8pF	8.2pF	47nH
TB0152A (TAI-SAW)	1.5pF	5.6pF	33nH

- TX\_BB\_Q+
- TX\_BB\_Q-
- TX\_BB\_I+
- TX\_BB\_I-
- RX\_BB\_Q+
- RX\_BB\_Q-
- RX\_BB\_I+
- RX\_BB\_I-
- IREF



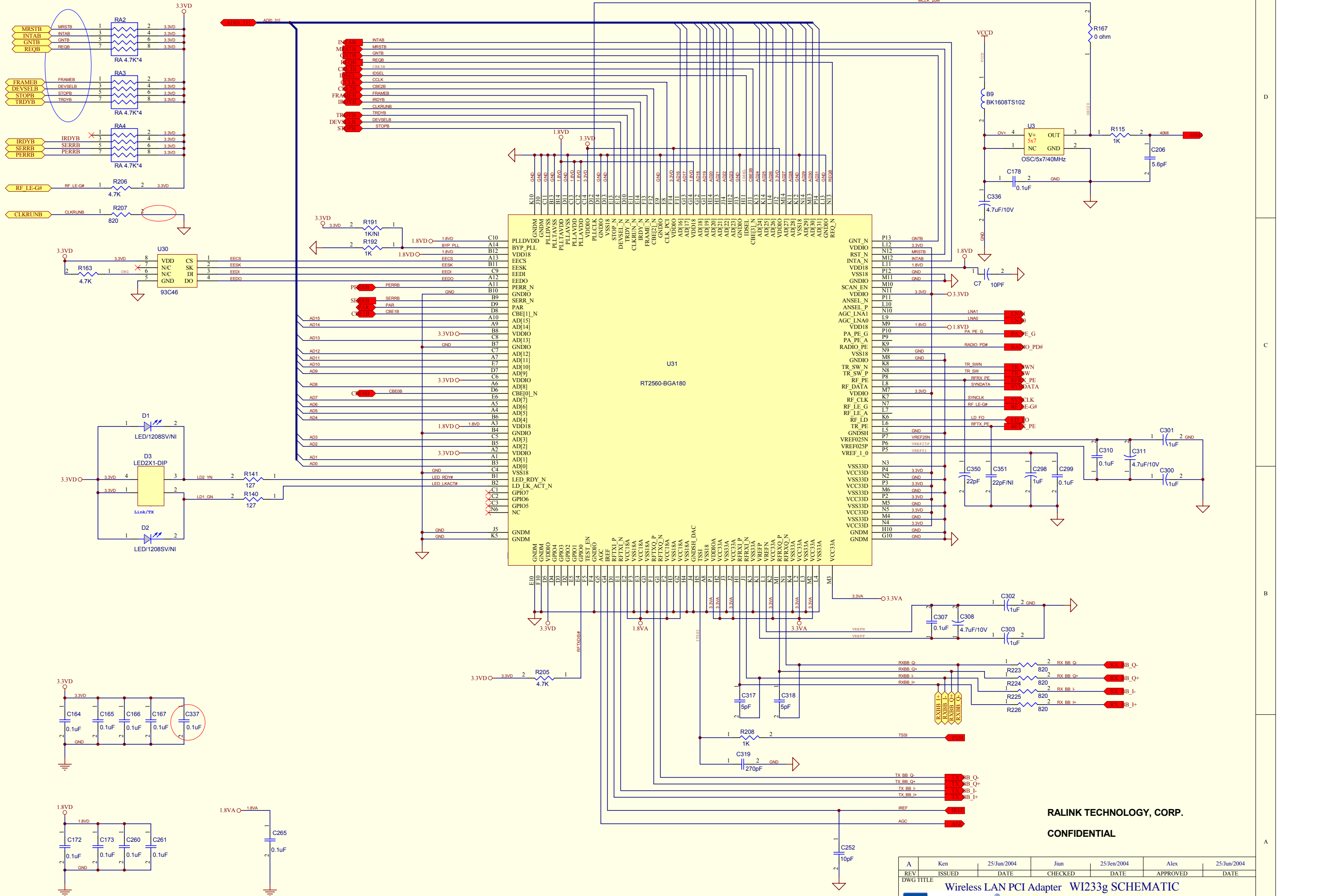
RALINK TECHNOLOGY, CORP.  
CONFIDENTIAL

A	Ken	25/Jun/2004	Jiun	25/Jen/2004	Alex	25/Jun/2004
REV	ISSUED	DATE	CHECKED	DATE	APPROVED	DATE
DWG TITLE: Wireless LAN PCI Adapter W1233g SCHEMATIC						
DRAWN: Ken		DATE: 25/Jun/2004		USED ON: RT2525		
CHECKED: Jiun		DATE: 25/Jun/2004		DWG NO: 82011-83801 ES01		
APPROVED: Alex		DATE: 25/Jun/2004		File Name: D:\PROTEL LOYOUT\W1233G\W1233G-2\W1233g-2.DDB - Documents\41713-83801\82011-83801ES01-A-1.Sch		
Size	C	Sheet	1 of 4			



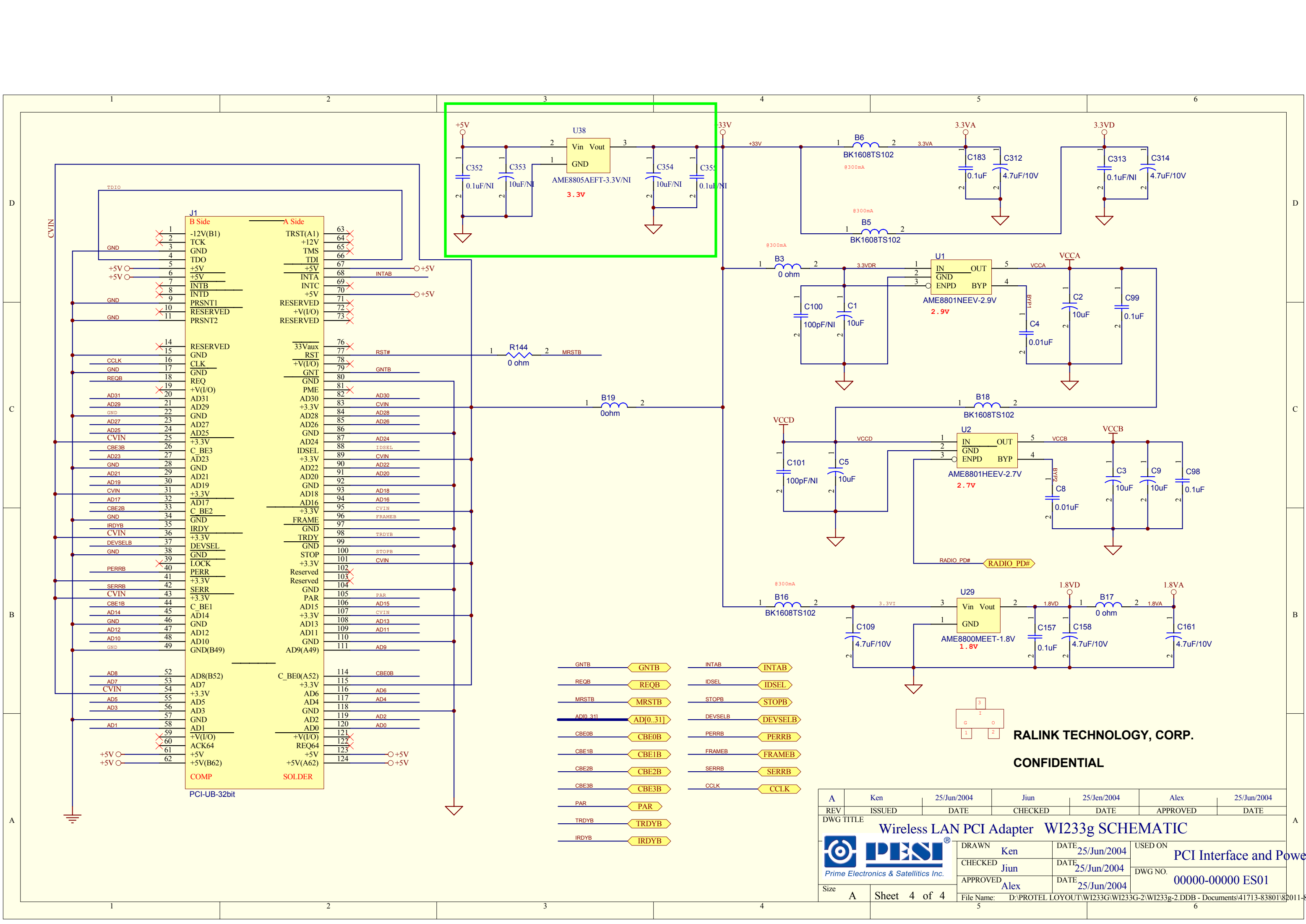
**RALINK TECHNOLOGY, CORP.**  
**CONFIDENTIAL**

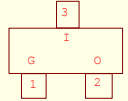
A	Ken	25/Jun/2004	Jiun	25/Jen/2004	Alex	25/Jun/2004
REV	ISSUED	DATE	CHECKED	DATE	APPROVED	DATE
DWG TITLE: Wireless LAN PCI Adapter W1233g SCHEMATIC						
DRAWN: Ken		DATE: 25/Jun/2004		USED ON: PA and TX/RX		
CHECKED: Jiun		DATE: 25/Jun/2004		DWG NO: 82011-83801 ES01		
APPROVED: Alex		DATE: 25/Jun/2004		File Name: D:\PROTEL LOYOUT\W1233G\W1233G-2\W1233g-2.DDB - Documents\41713-83801\82011-83801 ES01-A-2.SCH		
Size	A	Sheet	2 of 4			




RALINK TECHNOLOGY, CORP.  
CONFIDENTIAL

A	Ken	25/Jun/2004	Jiun	25/Jun/2004	Alex	25/Jun/2004
REV	ISSUED	DATE	CHECKED	DATE	APPROVED	DATE
DWG TITLE						
Wireless LAN PCI Adapter WI233g SCHEMATIC						
DRAWN		Ken	DATE	25/Jun/2004	USED ON	
CHECKED		Jiun	DATE	25/Jun/2004	WLAN MAC+BBP - RT2560	
APPROVED		Alex	DATE	25/Jun/2004	DWG NO.	
					82011-83801 ES01	
Size	A	Sheet	3 of 4	File Name: D:\PROTEL LOYOUT\WI233G\WI233G-2\WI233g-2.DDB - Documents\41713-83801\82011-83801-ES01-A-3.SCH		



  
**RALINK TECHNOLOGY, CORP.**  
**CONFIDENTIAL**

A	Ken	25/Jun/2004	Jiun	25/Jen/2004	Alex	25/Jun/2004
REV	ISSUED	DATE	CHECKED	DATE	APPROVED	DATE
DWG TITLE						
<b>Wireless LAN PCI Adapter WI233g SCHEMATIC</b>						
 Prime Electronics & Satellitics Inc.		DRAWN	Ken	DATE	25/Jun/2004	USED ON
		CHECKED	Jiun	DATE	25/Jun/2004	<b>PCI Interface and Power</b>
		APPROVED	Alex	DATE	25/Jun/2004	
File Name: D:\PROTEL LOYOUT\WI233G\WI233G-2\WI233g-2.DDB - Documents\41713-83801\82011-8380						00000-00000 ES01
Size	A		Sheet 4 of 4			