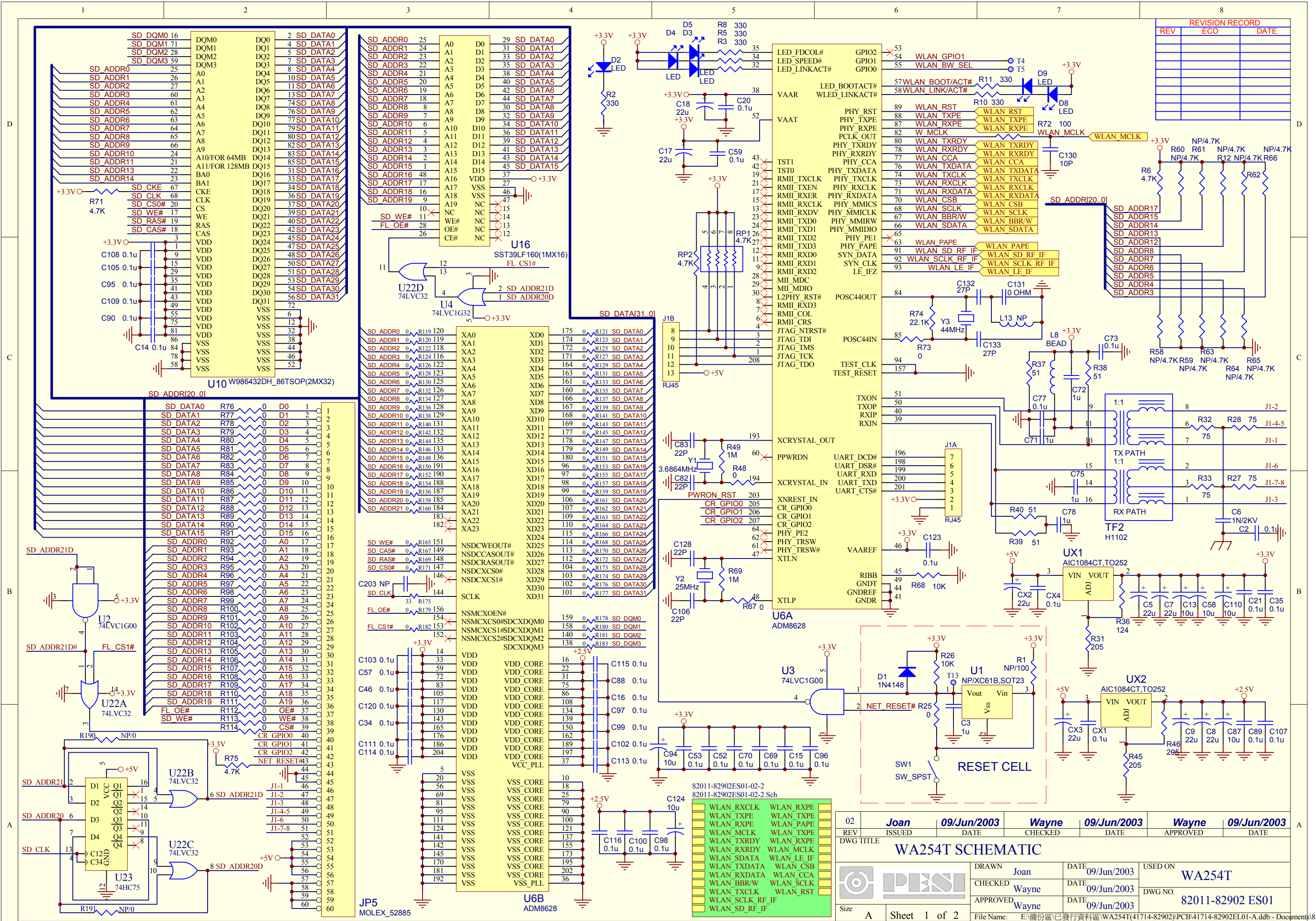
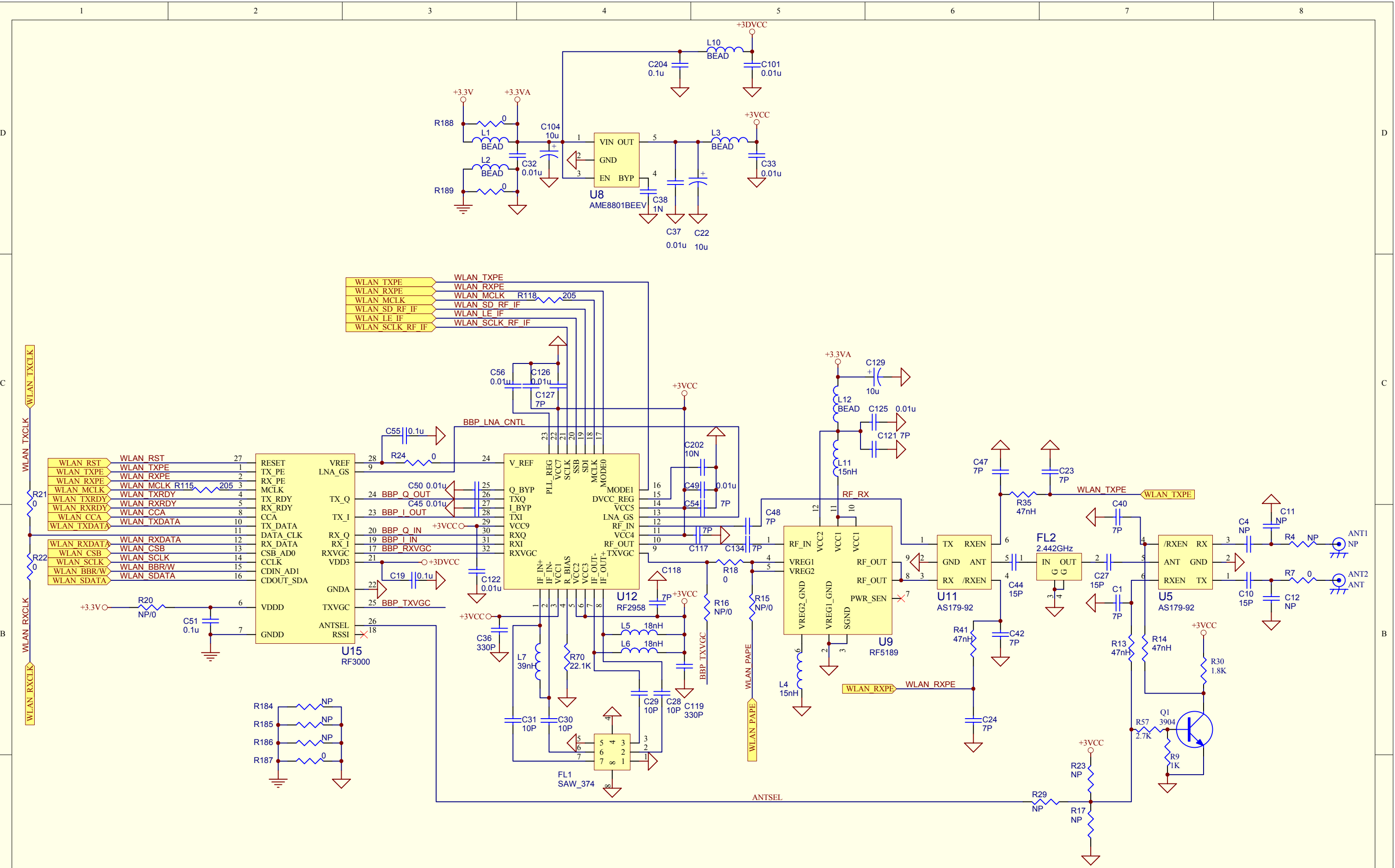


REVISION RECORD		
REV	ECO	DATE



WLAN_RXCLK	WLAN_RXPE
WLAN_TXPE	WLAN_TXPE
WLAN_RXPE	WLAN_PAPE
WLAN_MCLK	WLAN_TXPE
WLAN_TXRDY	WLAN_RXPE
WLAN_RXRDY	WLAN_MCLK
WLAN_TXDATA	WLAN_CSB
WLAN_RXDATA	WLAN_SCLK
WLAN_BBRW	WLAN_SCLK
WLAN_TXCLK	WLAN_RST
WLAN_SCLK_RF_IF	WLAN_SCLK_RF_IF
WLAN_SD_RF_IF	WLAN_SD_RF_IF

02	Joan	09/Jun/2003	Wayne	09/Jun/2003	Wayne	09/Jun/2003
REV	ISSUED	DATE	CHECKED	DATE	APPROVED	DATE
DWG TITLE WA254T SCHEMATIC						
DRAWN Joan		DATE 09/Jun/2003		USED ON WA254T		
CHECKED Wayne		DATE 09/Jun/2003		DWG NO. 82011-82902 ES01		
APPROVED Wayne		DATE 09/Jun/2003				
Size A	Sheet 1 of 2		File Name: E:\備份區\已發行資料區\WA254T(41714-82902)\PCB\41714-82902EL01-A.ddb - Documents\82011-82902			



02	Joan	09/Jun/2003	Wayne	09/Jun/2003	Wayne	09/Jun/2003
REV	ISSUED	DATE	CHECKED	DATE	APPROVED	DATE
DWG TITLE <b>WA254T SCHEMATIC</b>						
DRAWN Joan		DATE 09/Jun/2003		USED ON WA254T		
CHECKED Wayne		DATE 09/Jun/2003		DWG NO. 82011-82902 ES01		
APPROVED Wayne		DATE 09/Jun/2003		File Name: E:\備份區\已發行資料區\WA254T(41714-82902)\PCB\41714-82902EL01-A.ddb - Documents\82011-829		
Size	A		Sheet 2 of 2			