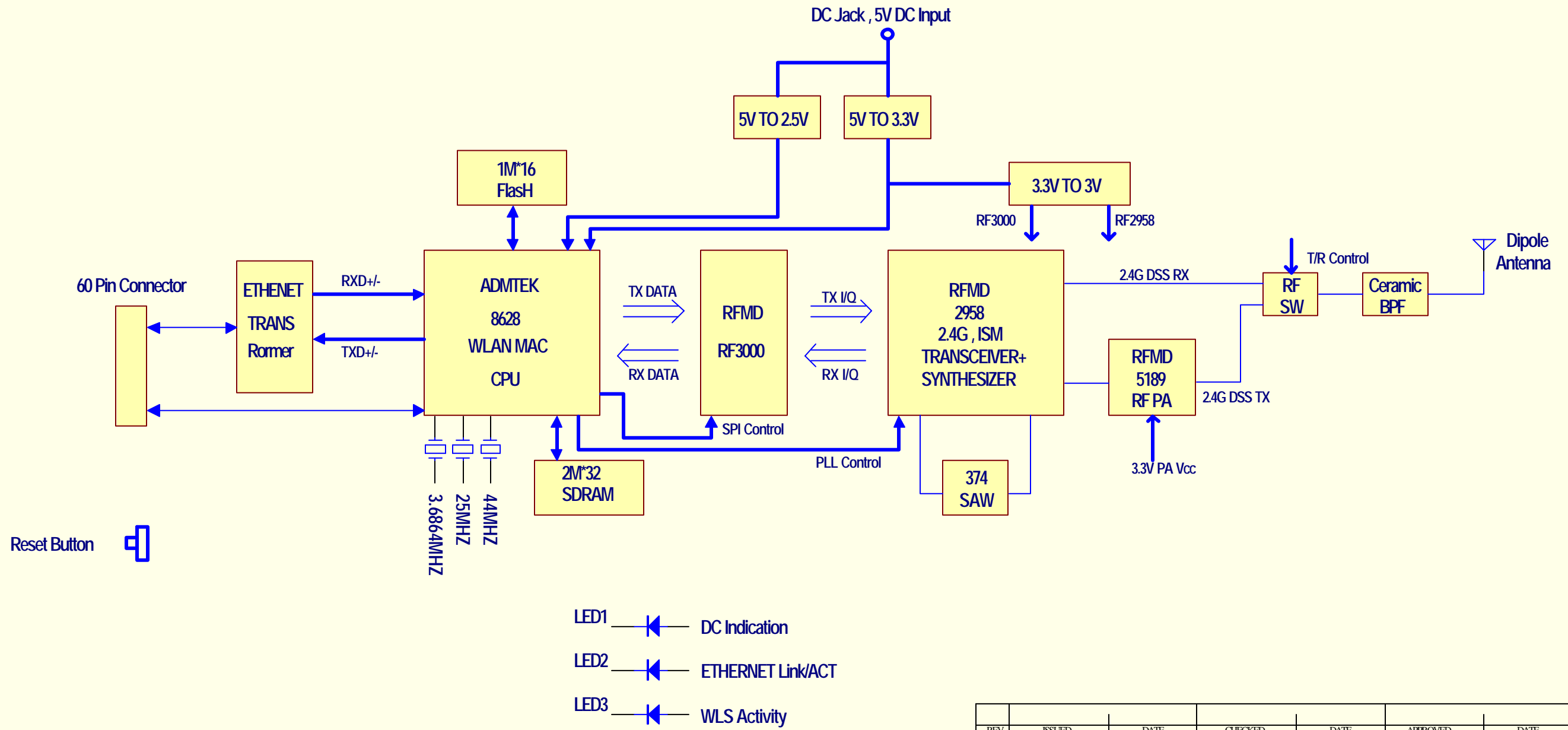


# WA254T Block Diagram



REV	ISSUED	DATE	CHECKED	DATE	APPROVED	DATE
DWG TITLE: WA254T						
DRAWN: doraemon		DATE: 6/2,2003		USED ON		
CHECKED: Wayne-Liu		DATE: 6/2,2003		DWG NO.		
APPROVED: CH		DATE: 6/2,2003				
Size: A	Sheet 1 of 1		File Name: D:\Fit32_extd\wlan\WLAN PROJECT\ADMtek-Toshiba\FCC\WA254T方块圖.Ddb - Documents\Sheet1.Sch			