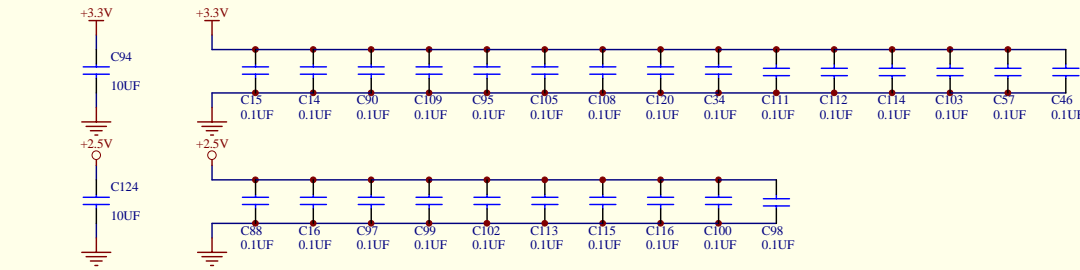


- 82011-80206-1-A ES01
82011-80206-1-A ES01
- 44MHZ_OUT
 - 44MHZ_IN
 - MII1_CR5
 - MII1_COL
 - MII1_RXD(0..3)
 - MII1_RXDV
 - MII1_RXCLK
 - MII1_RXER
 - MII1_TXCLK
 - MII1_TXEN
 - MII1_TXD(0..3)
 - MII1_MDC
 - MII1_MDIO
 - PHY1_RST#
 - JTAG_NTRST#
 - JTAG_TDI
 - JTAG_TMS
 - JTAG_TCK
 - JTAG_TDO
 - UART_DCD#
 - UART_DSR#
 - UART_RXD
 - UART_TXD
 - UART_CTS#
 - 3.6864MHZ_OUT
 - 3.6864MHZ_IN
 - PWRON_RST
 - 25MHZ_OUT
 - 25MHZ_IN
 - LAN1_FD_COL#
 - LAN1_SPEED#
 - LAN1_LINK/ACT#
 - WLAN_SD_RF_IF
 - WLAN_SCLK_RF_IF
 - WLAN_LE_IF
 - WLAN_PAPE
 - WLAN_PE1
 - WLAN_SDATA
 - WLAN_BBRW
 - WLAN_SCLK
 - WLAN_CSB
 - WLAN_RXDATA
 - WLAN_RXCLK
 - WLAN_TXCLK
 - WLAN_TXDATA
 - WLAN_CCA
 - WLAN_RXRDY
 - WLAN_TXRDY
 - WLAN_RXPE
 - WLAN_TXPE
 - WLAN_RST
 - WLAN_LINK/ACT#
 - WLAN_BOOT/ACT#
 - WLAN_GPI01
 - WLAN_BW_SEL
 - WLAN_MCLK
 - LAN1_LINK/ACT#
 - LAN1_LINK/ACT#
 - 3.6864MHZ_IN
 - 3.6864MHZ_OUT
 - 25MHZ_IN
 - 25MHZ_OUT
 - 44MHZ_IN
 - 44MHZ_OUT
 - GPI0

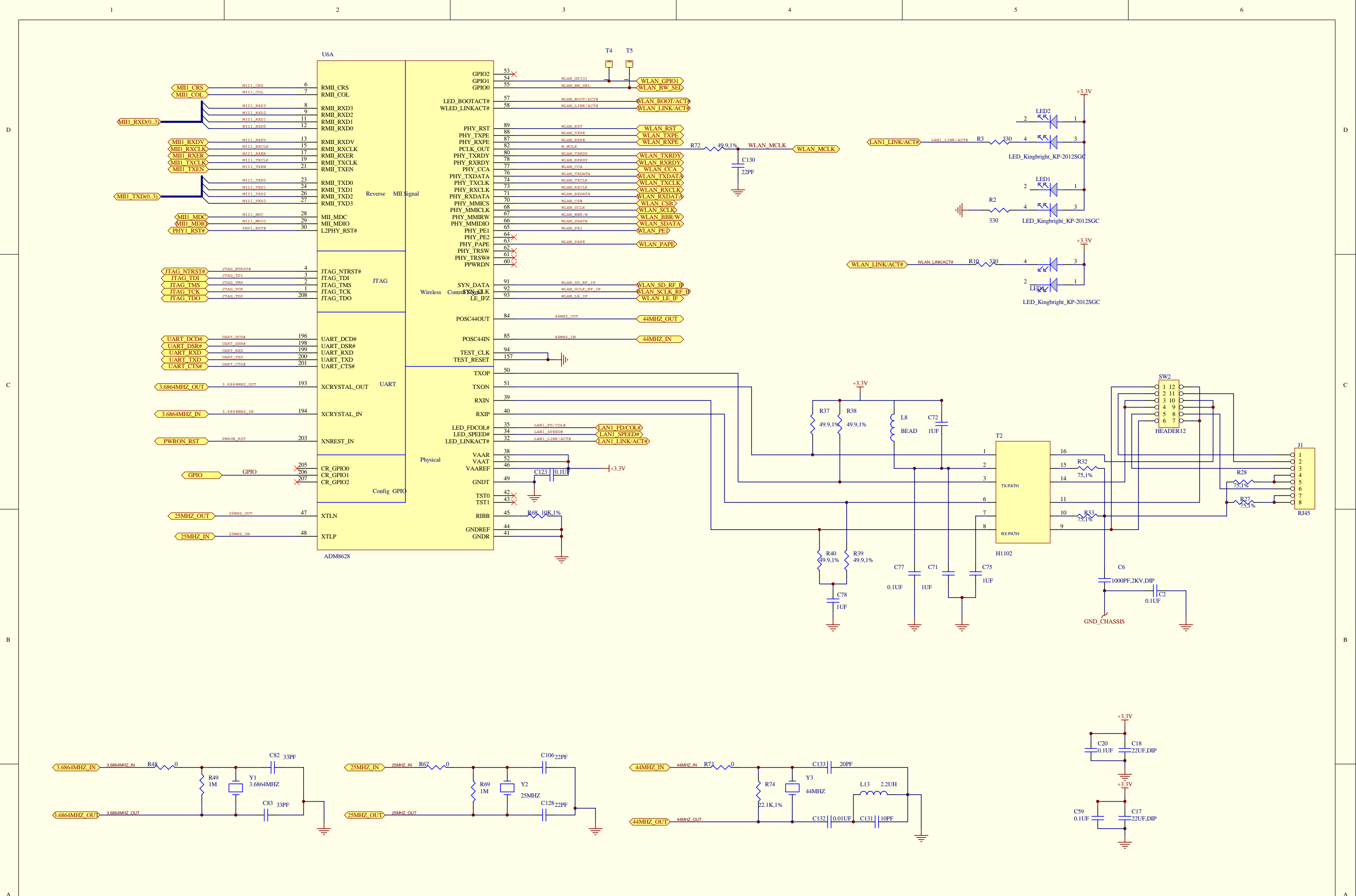
- 82011-80206-2-A ES01
82011-80206-2-A ES01
- V+
 - V-
 - DB_TXD
 - DB_DCD#
 - DB_DSR#
 - DB_RXD
 - DB_CTS#
 - C1-
 - C1-
 - C2+
 - C2-
 - PWRON_RST
 - UART_DCD#
 - UART_DSR#
 - UART_RXD
 - UART_CTS#
 - UART_TXD
 - BBP_VREF
 - RF_MCLK
 - BBP_Q_OUT
 - BBP_I_OUT
 - BBP_Q_IN
 - BBP_I_IN
 - BBP_RXVGC
 - BBP_TXVGC
 - WLAN_PAPE
 - BBP_LNA_CNTL
 - RF_RX
 - RF_TX
 - PA_BIAS
 - PA_OUT
 - WLAN_TXPE
 - RF_RX
 - PA_OUT
 - WLAN_RXPE
 - BBP_CLK
 - BBP_RXVGC
 - BBP_LNA_CNTL
 - BBP_I_IN
 - BBP_Q_IN
 - BBP_I_OUT
 - BBP_Q_OUT
 - BBP_TXVGC
 - BBP_ANTSEL
 - GPI0

- 82011-80206-3-A ES01
82011-80206-3-A ES01
- WLAN_TXPE
 - WLAN_RXPE
 - WLAN_MCLK
 - WLAN_SD_RF_IF
 - WLAN_LE_IF
 - WLAN_SCLK_RF_IF
 - BBP_VREF
 - RF_MCLK
 - BBP_Q_OUT
 - BBP_I_OUT
 - BBP_Q_IN
 - BBP_I_IN
 - BBP_RXVGC
 - BBP_TXVGC
 - WLAN_PAPE
 - BBP_LNA_CNTL
 - RF_RX
 - RF_TX
 - PA_BIAS
 - PA_OUT
 - WLAN_TXPE
 - RF_RX
 - PA_OUT
 - WLAN_RXPE
 - SD_ADDR(0..21)



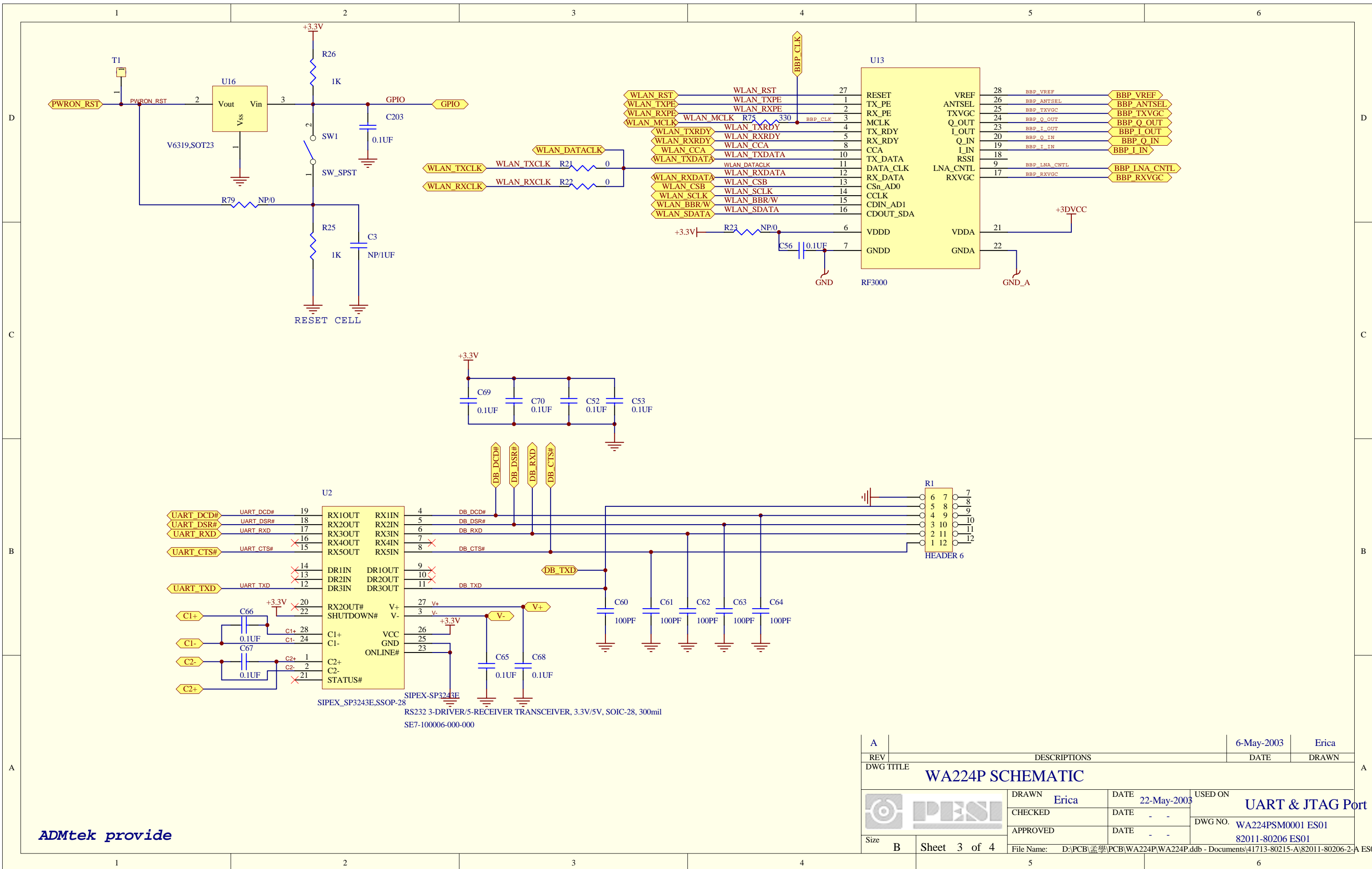
A	REV	DESCRIPTIONS	6-May-2003	Erica
	DWG TITLE	WA224P SCHEMATIC	DATE	DRAWN
	DRAWN	Erica	DATE	22-May-2003
	CHECKED		DATE	
	APPROVED		DATE	
Size	C	Sheet 1 of 4	USED ON	ADM8628_B
			DWG NO.	WA224PSM0001 ES01
				82011-80206 ES01
			File Name:	D:\PCB\孟學\PCB\WA224P\WA224P.ddb - Documents\41713-80215-A\82011-80206-3-A ES01

ADMtek provide



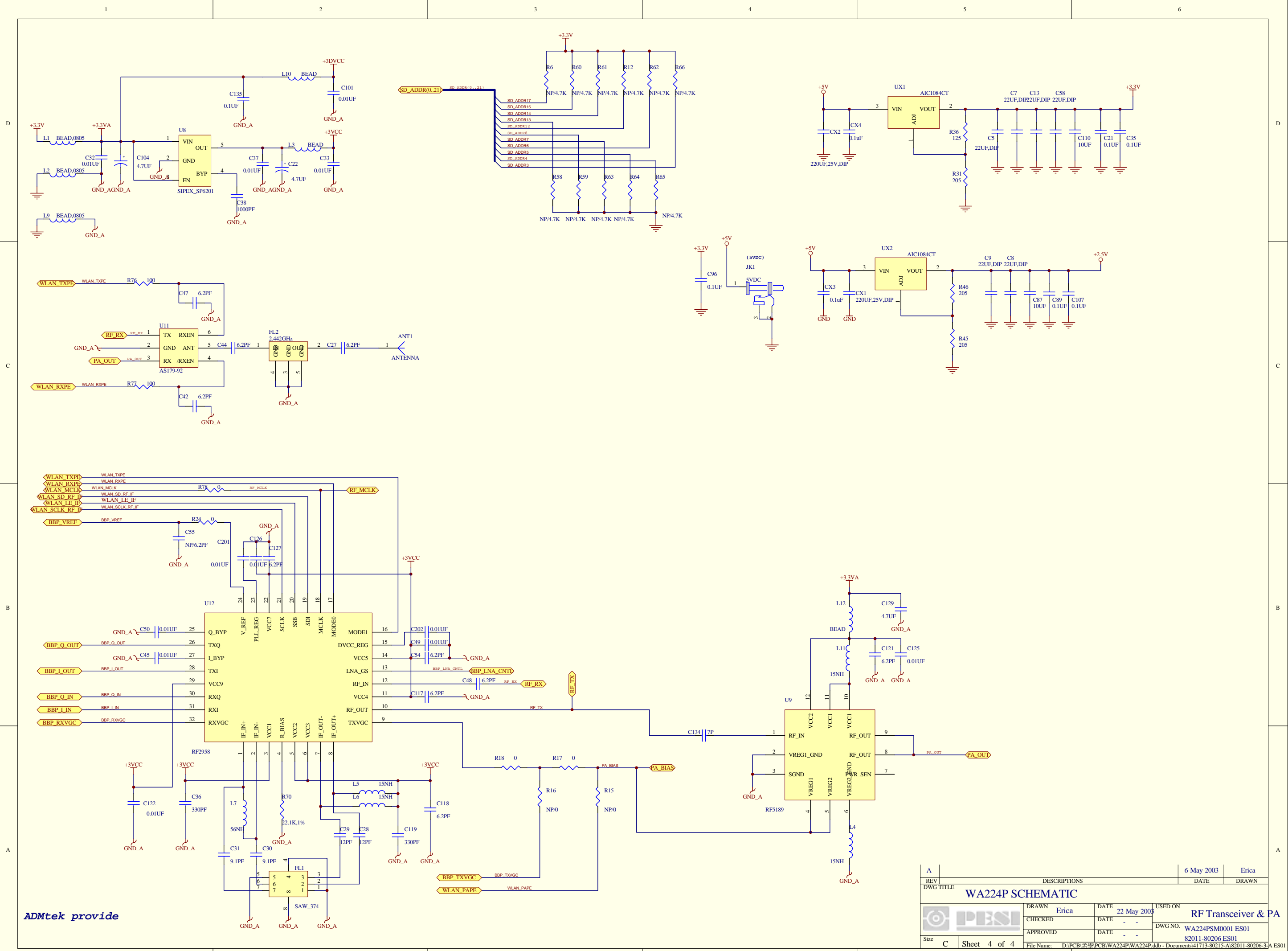
ADMtek provide

A	REV	DESCRIPTIONS	6-May-2003	Erica
	DWG TITLE	WA224P SCHEMATIC	DATE	DRAWN
	DRAWN	Erica	DATE 22-May-2003	USED ON ADM8628_A
	CHECKED		DATE -	DWG NO. WA224PSM0001 ES01
	APPROVED		DATE -	82011-80206 ES01
Size	C	Sheet 2 of 4	File Name:	D:\PCB\柔學\PCB\WA224P\WA224P.ddb - Documents\41713-80215-A\82011-80206-1A ES01



ADMtek provide

A		6-May-2003	Erica
REV	DESCRIPTIONS	DATE	DRAWN
DWG TITLE: WA224P SCHEMATIC			
	DRAWN: Erica	DATE: 22-May-2003	USED ON: UART & JTAG Port
	CHECKED:	DATE: - -	DWG NO.: WA224PSM0001 ES01
	APPROVED:	DATE: - -	82011-80206 ES01
Size: B	Sheet 3 of 4	File Name: D:\PCB\孟學\PCB\WA224P\WA224P.ddb - Documents\41713-80215-A\82011-80206-2-A ES01	



ADMtek provide

REV	DESCRIPTIONS	6-May-2003	Erica
DWG TITLE	WA224P SCHEMATIC	DATE	DRAWN
DRAWN Erica		DATE 22-May-2003	USED ON RF Transceiver & PA
CHECKED		DATE - -	DWG NO. WA224PSM0001 ES01
APPROVED		DATE - -	82011-80206 ES01
Size C	Sheet 4 of 4	File Name: D:\PCB\柔學\PCB\WA224P\WA224P.ddb - Documents\41713-80215-A\82011-80206-3A	ES01