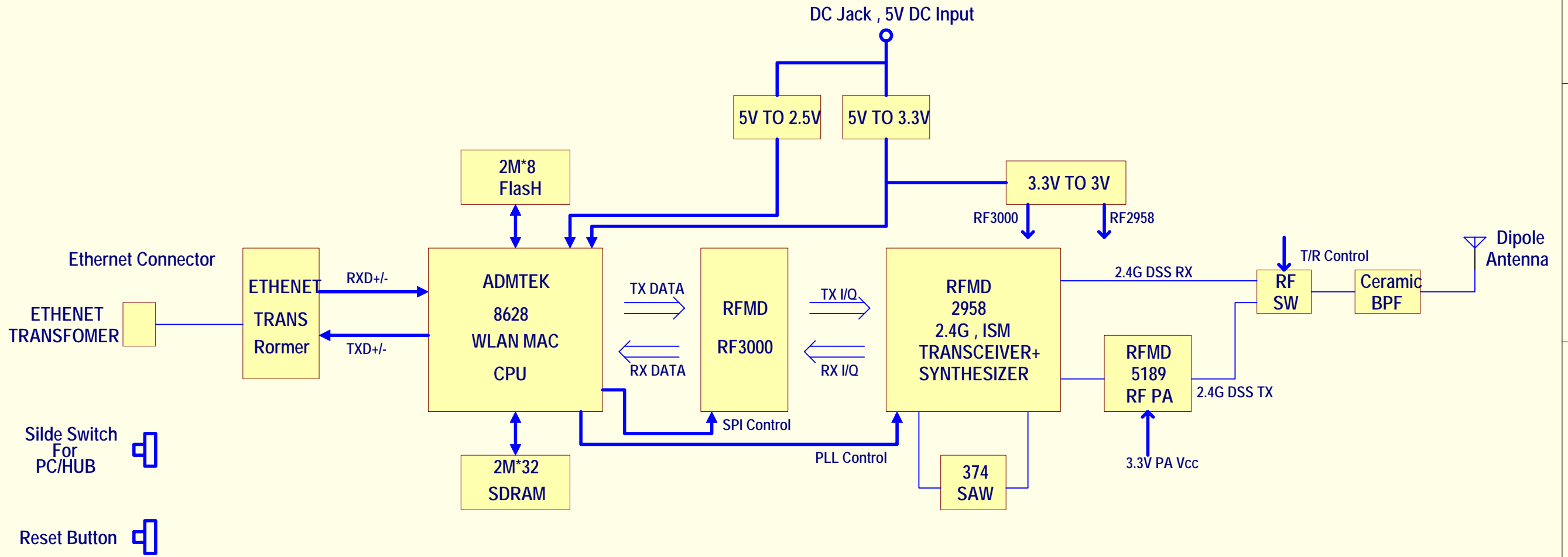


WA224P System Block Diagram



- 44MHZ XTAL1
- 25MHZ XTAL2
- 3.678MHZ XTAL3
- LED1 DC Indication
- LED2 ETHERNET Link/ACT
- LED3 WLS Activity

REV	ISSUED	DATE	CHECKED	DATE	APPROVED	DATE
DWG TITLE: WA224P Schematic						
DRAWN: doraemon		DATE: 25/Apr/2003		USED ON		
CHECKED		DATE		DWG NO.		
APPROVED		DATE				
Size: A	Sheet 1 of 1		File Name: C:\Documents and Settings\mshsieh\Local Settings\Temporary Internet Files\Content.IE5\051F0HAR\方塊圖5-12.Ddb - Doc			