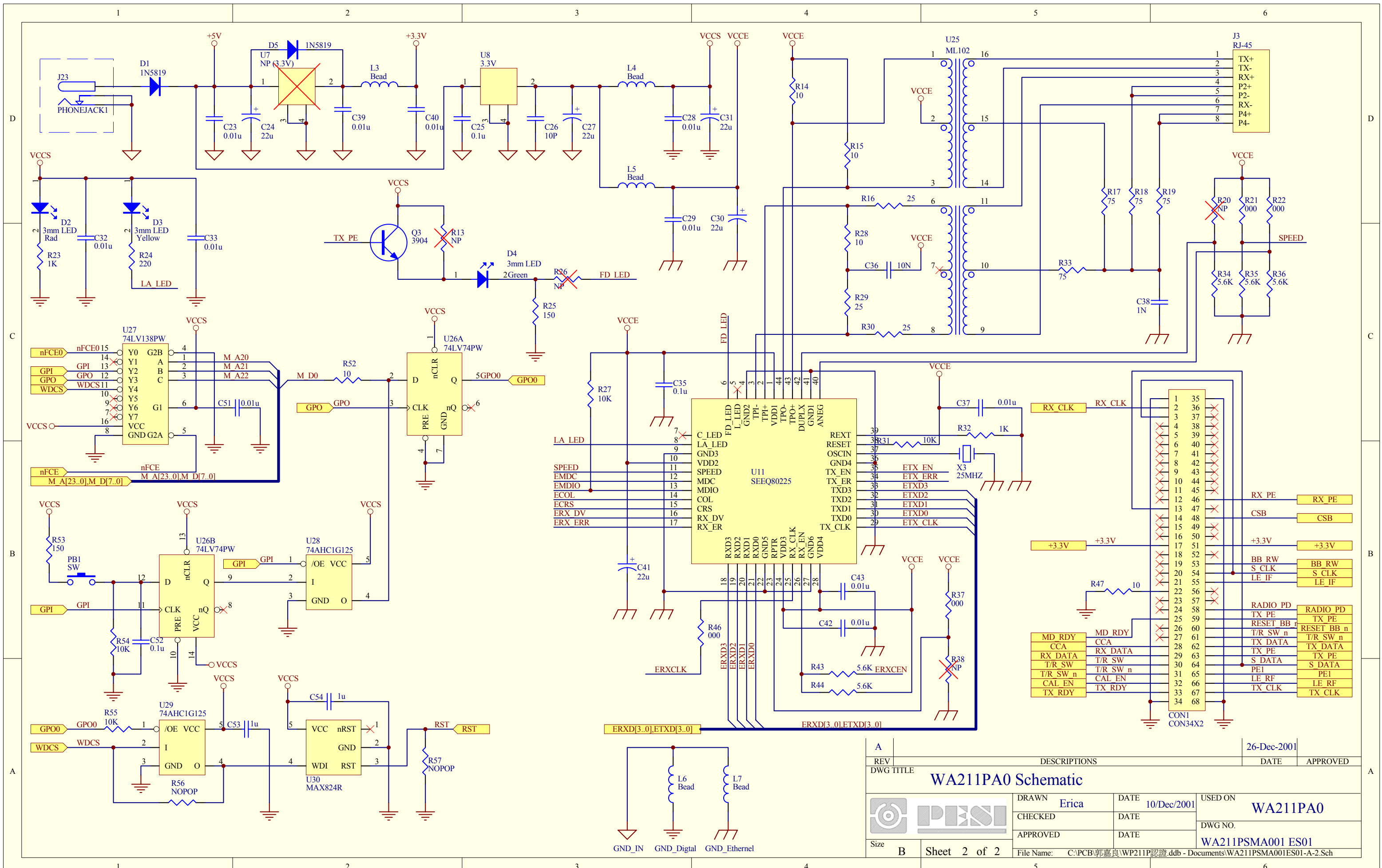


WA211PSMA001ES01-A-2
WA211PSMA001ES01-A-2.Sch

ERXD[3..0],ETXD[3..0]
RX_CLK
+3.3V
MD_RDY
CCA
RX_DATA
T/R_SW
T/R_SW_n
CAL_EN
TX_RDY
RX_PE
CSB
+3.3V
BB_RW
S_CLK
LE_IF
RADIO_PD
TX_PE
RESET_BB_n
T/R_SW_n
TX_DATA
TX_PE
S_DATA
PE1
LE_RF
TMS
TX_CLK
nFCE0
GPI
GPO
WDCS
nFCE
MD_RDY
M_A[23..0],M_D[7..0]
GPI
GPO0
RX_PE
BB_RW
CSB
RESET_BB_n
CSB
RESET_BB_n
VCCS
T/R_SW_n
RX_DATA
RX_CLK
PE1
S_DATA
S_CLK
TX_RDY
T/R_SW
TX_DATA
TX_CLK
LE_IF
LE_RF
Radio PD
RST

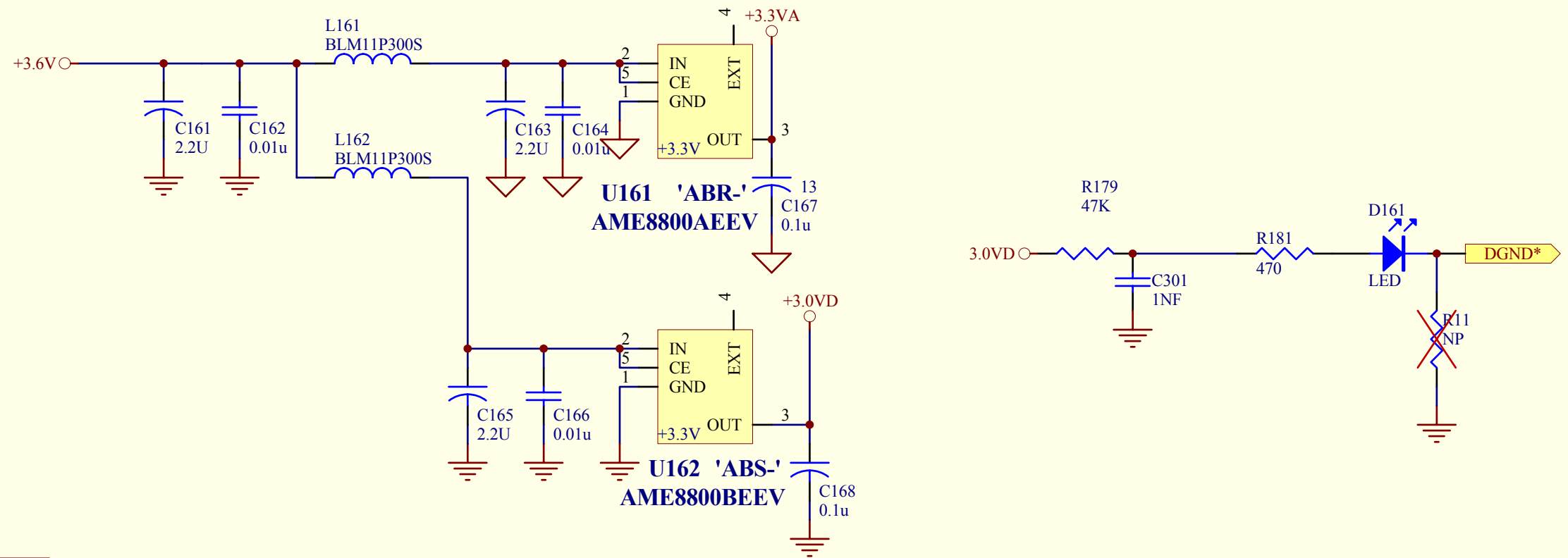
REV	DESCRIPTIONS	DATE	APPROVED
DWG TITLE	WA211PA0 Schematic	26-Dec-2001	
DRAWN	Erica	DATE	10/Dec/2001
CHECKED		DATE	
APPROVED		DATE	
Size	B	Sheet	1 of 2
USED ON	WA211PA0	DWG NO.	WA211PSMA001 ES01
File Name:	C:\PCB\郭嘉良\WP211P\認證.ddb - Documents\WA211PSMA001ES01-A-1.Sch		




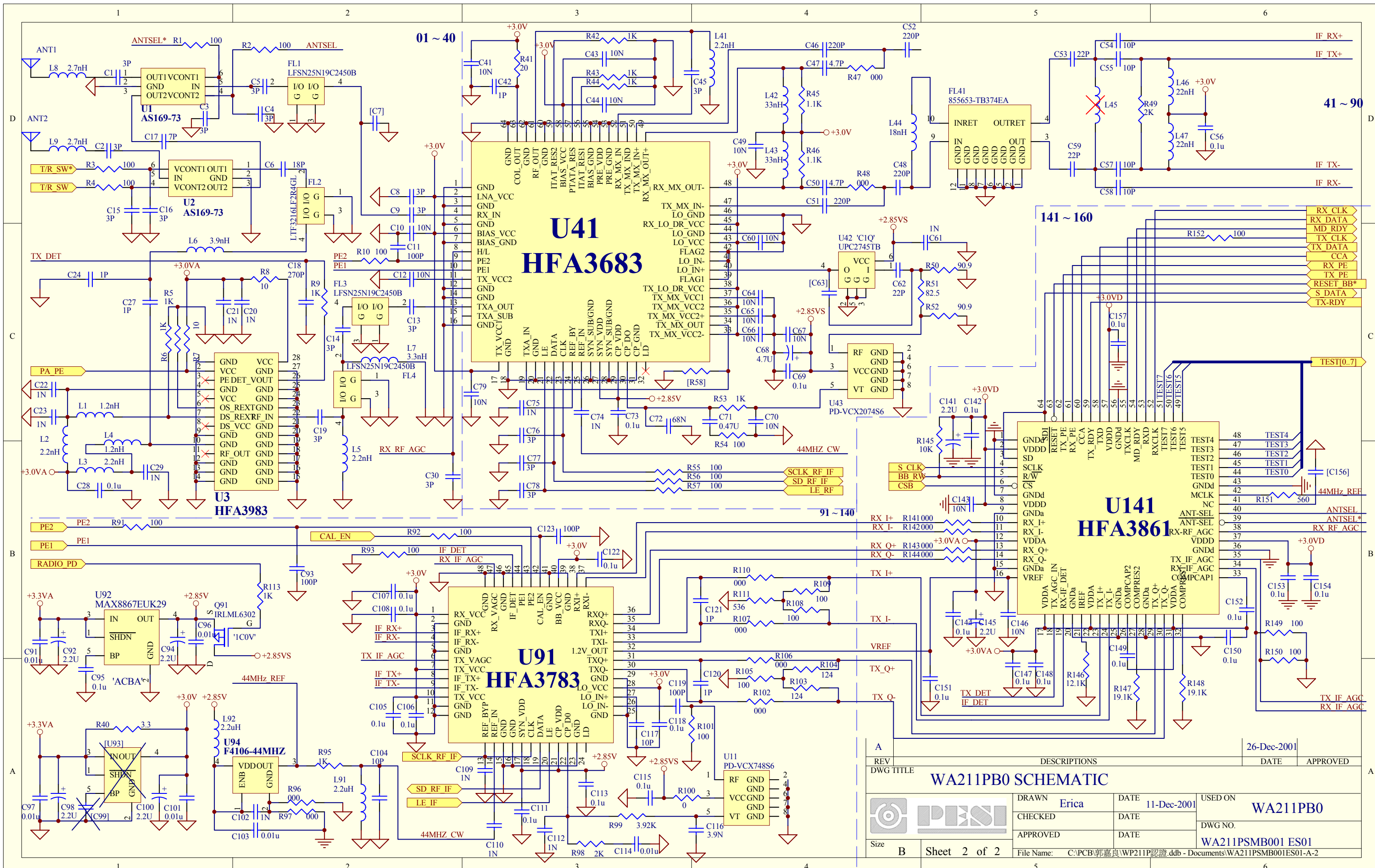
REV	DESCRIPTIONS	DATE	APPROVED
		26-Dec-2001	
WA211PA0 Schematic			
Size	B	Sheet 2 of 2	File Name: C:\PCB\郭嘉良\WP211P\認證.ddb - Documents\WA211PSMA001\ES01-A-2.Sch
DRAWN	Erica	DATE	10/Dec/2001
CHECKED		DATE	
APPROVED		DATE	
USED ON	WA211PA0		
DWG. NO.	WA211PSMA001 ES01		

WA211PSMB001ES01-A-2
WA211PSMB001ES01-A-2

PE2
PE1
PA_PE
T/R_SW
T/R_SW*
LE_IF
SD_RF_IF
SCLK_RF_IF
CAL_EN
CSB
S_CLK
S_DATA
RESET_BB*
TX_PE
RX_PE
CCA
TX_DATA
TX_CLK
MD_RDY
RX_DATA
RX_CLK
TEST[0..7]
SD_RF_IF
SCLK_RF_IF
LE_RF
RADIO_PD
TX-RDY
BB_RW



A		26-Dec-2001	
REV	DESCRIPTIONS	DATE	APPROVED
DWG TITLE WA211PB0 SCHEMATIC			
	DRAWN Erica	DATE 11-Dec-2001	USED ON WA211PB0
	CHECKED	DATE	DWG NO.
	APPROVED	DATE	WA211PSMB001 ES01
Size A4	Sheet 1 of 2	File Name: C:\PCB\郭嘉良\WP211P認證.ddb - Documents\WA211PSMB001ES01-A-1	



REV		DESCRIPTIONS		DATE		APPROVED	
DWG TITLE		DRAWN Erica		DATE 11-Dec-2001		USED ON WA211PB0	
Size B		CHECKED		DATE		DWG NO. WA211PSMB001 ES01	
Sheet 2 of 2		APPROVED		DATE		File Name: C:\PCB\郭嘉良\WP211P\認證.ddb - Documents\WA211PSMB001ES01-A-2	

WA211PB0 SCHEMATIC



WA211PB0

WA211PSMB001 ES01