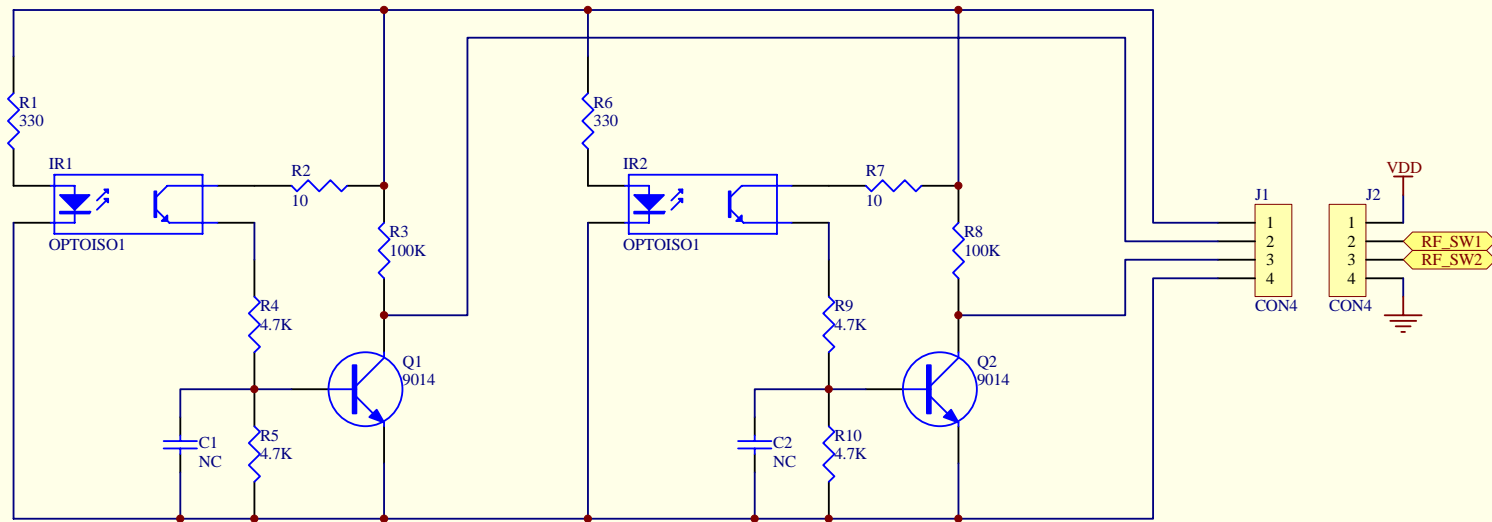


**Drawing By:** YUEN  
**Date:** 2017-FEB-24  
**Checked By:**  
**Date:**

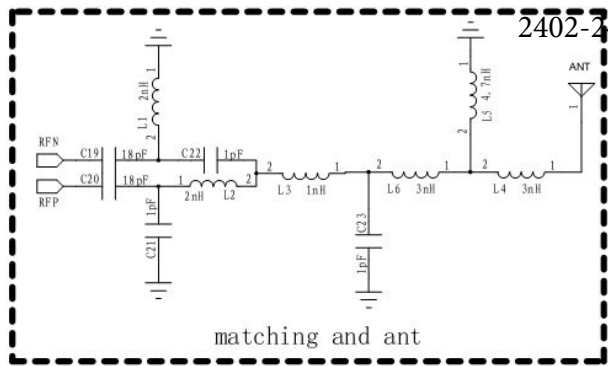
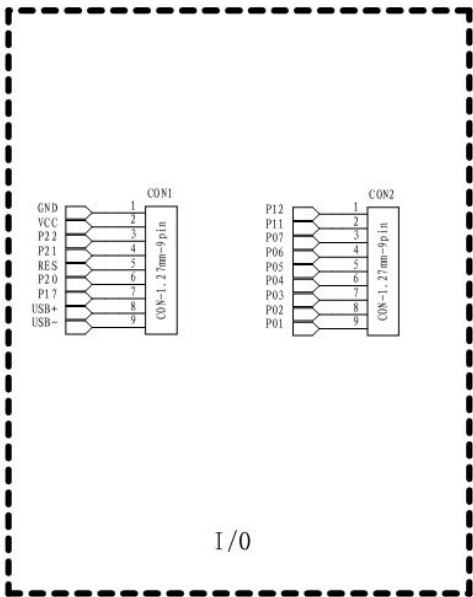
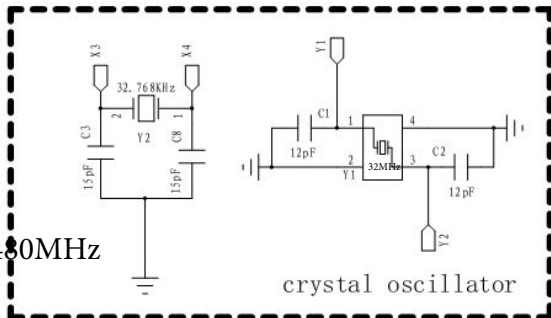
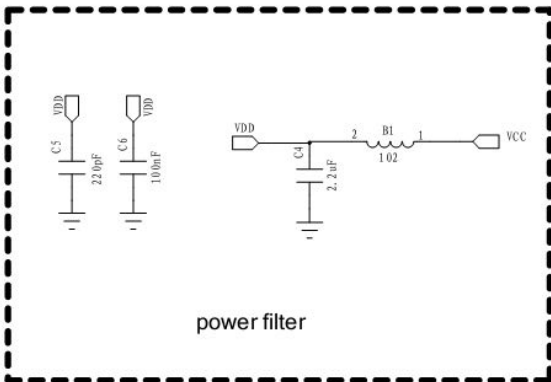
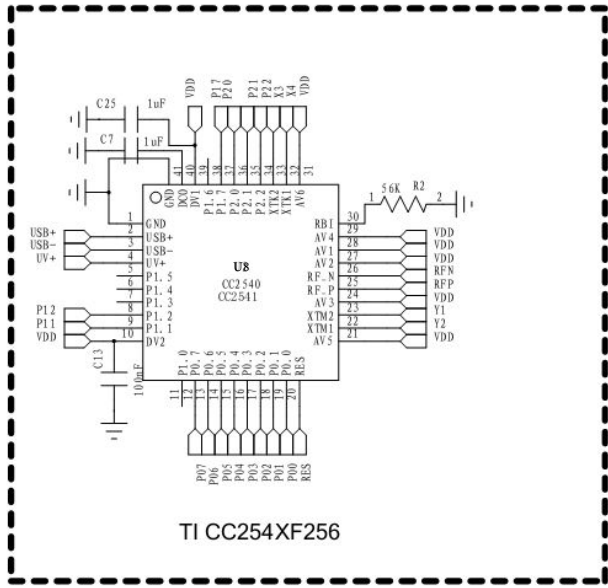


**Item Name:** IR Sensor\_1  
**Size:** A4  
**Model No.:** 91842  
**Revision:** VER:00  
**Date:** 14-Mar-2017  
**File:** F:\Yuen T.X\_2016\_17\蜘蛛PCB Layout\91842.dwg



<b>Drawing By:</b> YUEN
<b>Date:</b> 2017-FEB-24
<b>Checked By :</b>
<b>Date:</b>

<b>DONG GUAN FIRST UNION TOYS CO.,LTD</b>		
<b>Item Name : IR Sensor_2</b>		
Size A4	Model No. : 91842(Object Sensor)	Revision VER:00
Date: 14-Mar-2017	Sheet of	
File: F:\Yuen T.X_2016_17\蜘蛛\PCB Layout\91842蜘蛛\W02.DDB		



2402-2480MHz

RF-BM-S02  
深圳信驰达科技有限公司