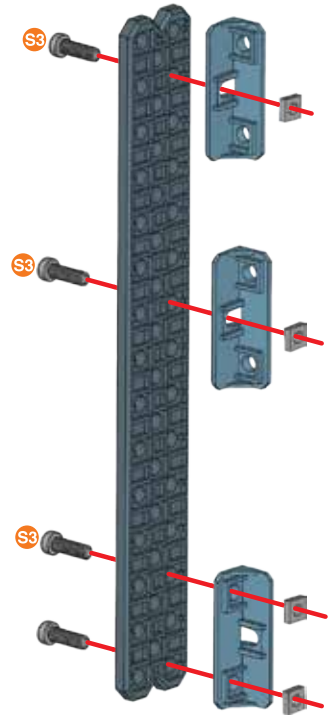
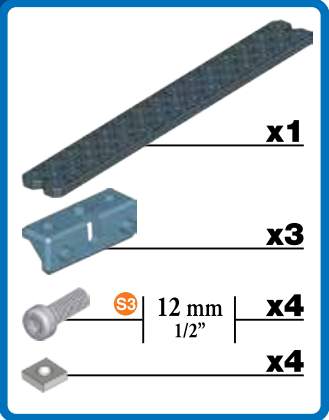
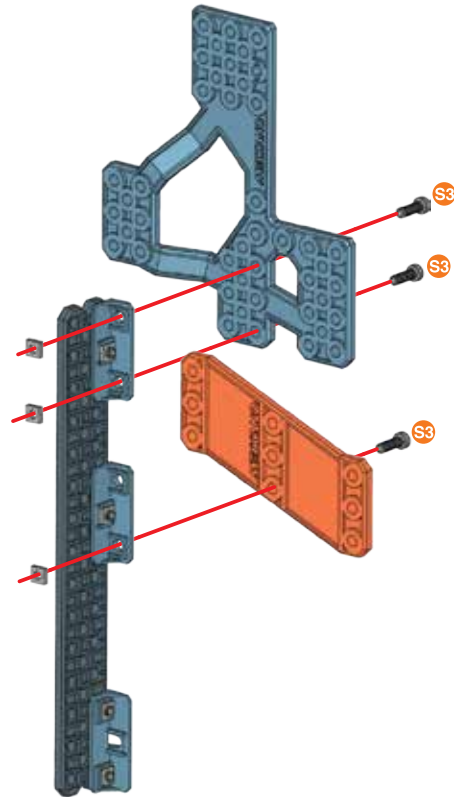
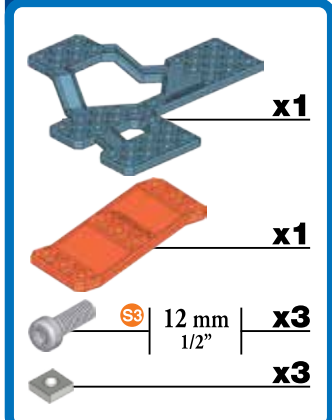


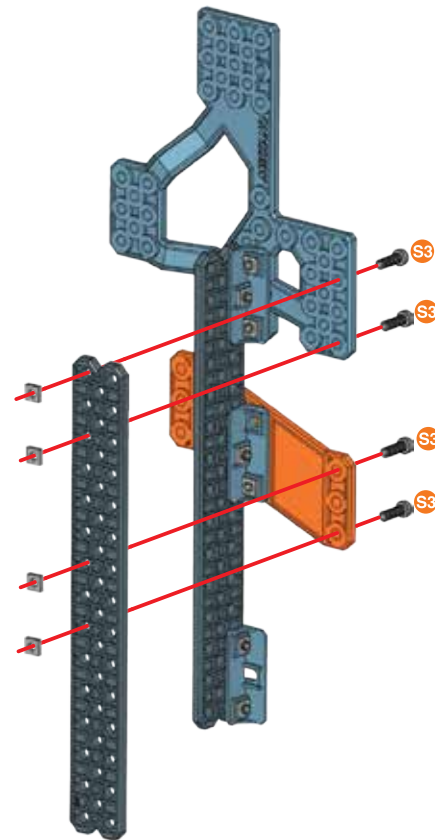
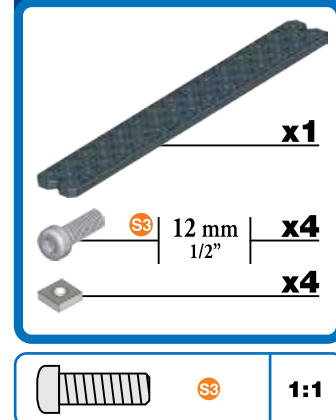
26



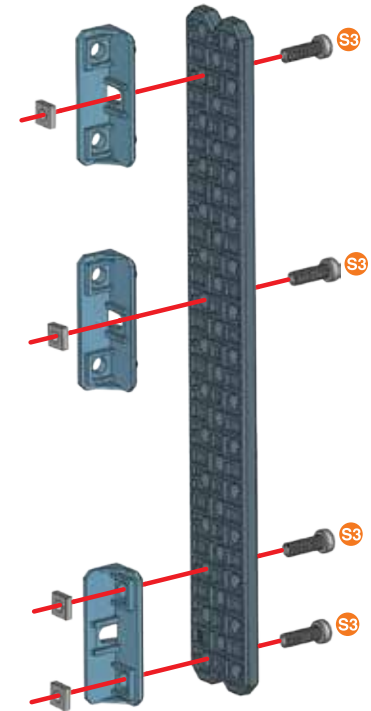
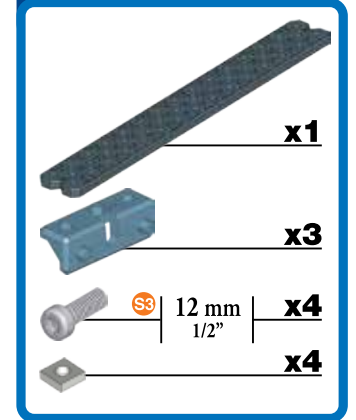
27



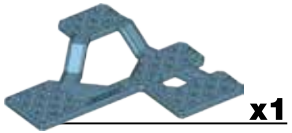
28



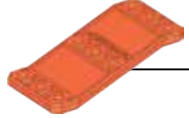
29



30



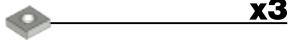
x1



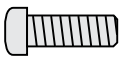
x1



x3



x3

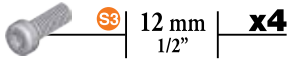


S3

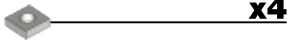
1:1

31

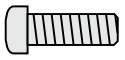
28 + 30 +



x4



x4



S3

1:1

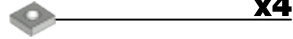
32



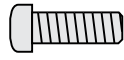
x1



x4

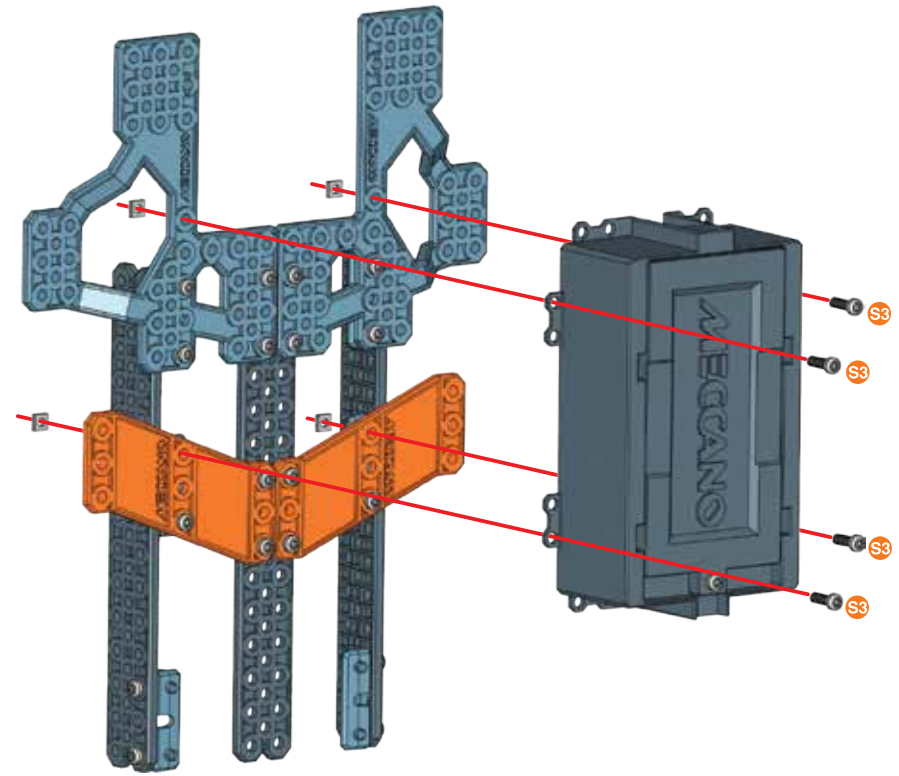
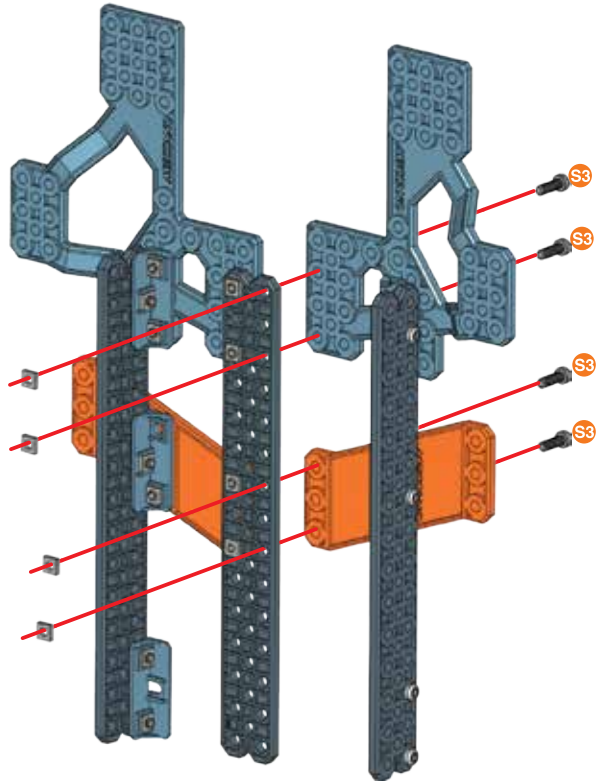
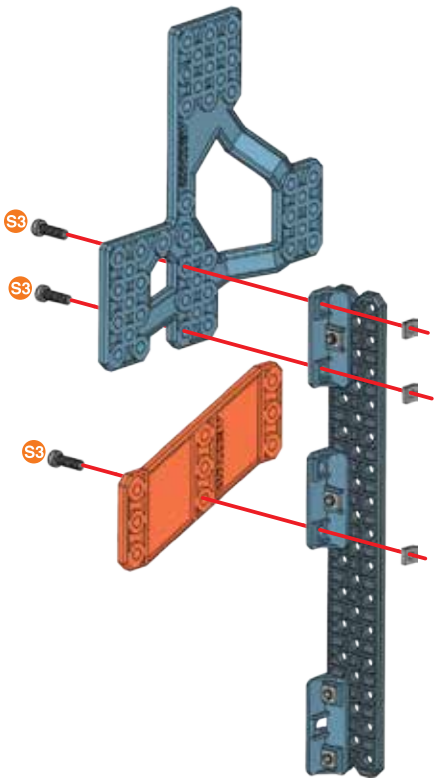


x4

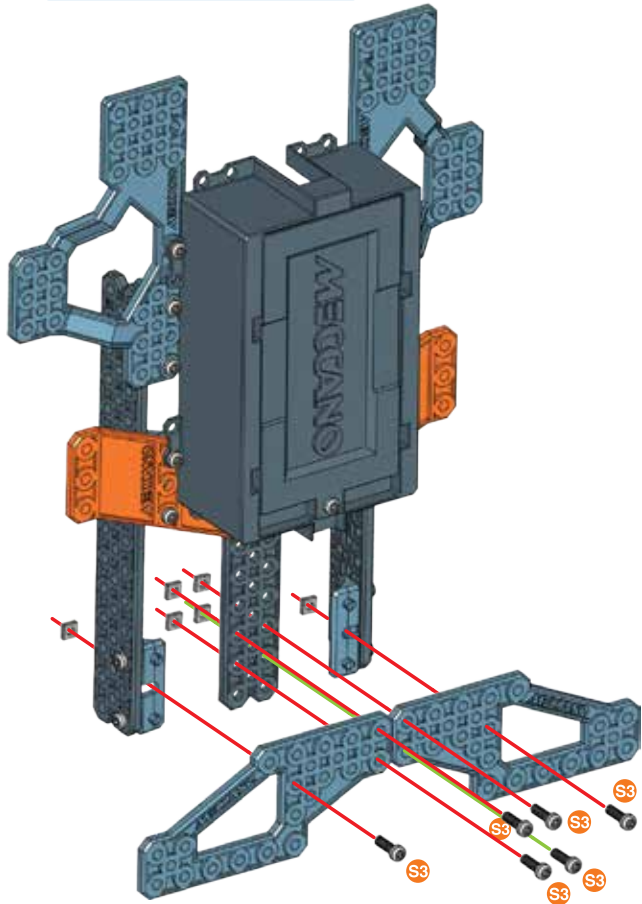
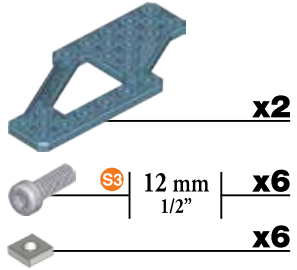


S3

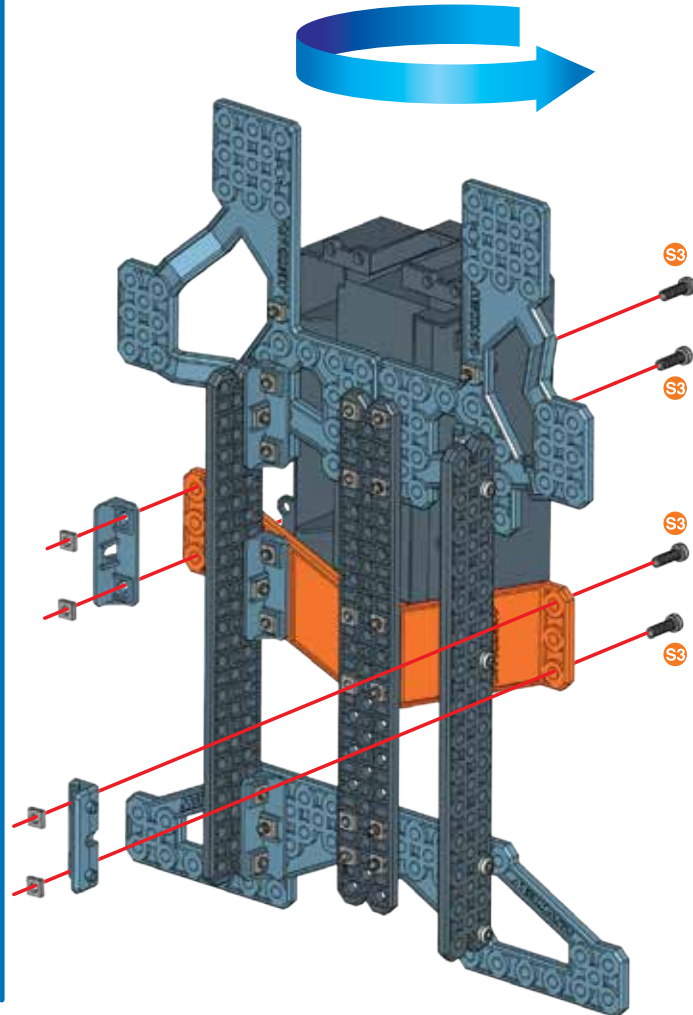
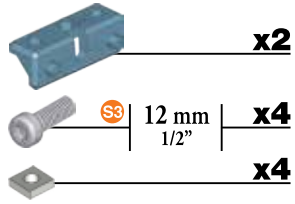
1:1



33

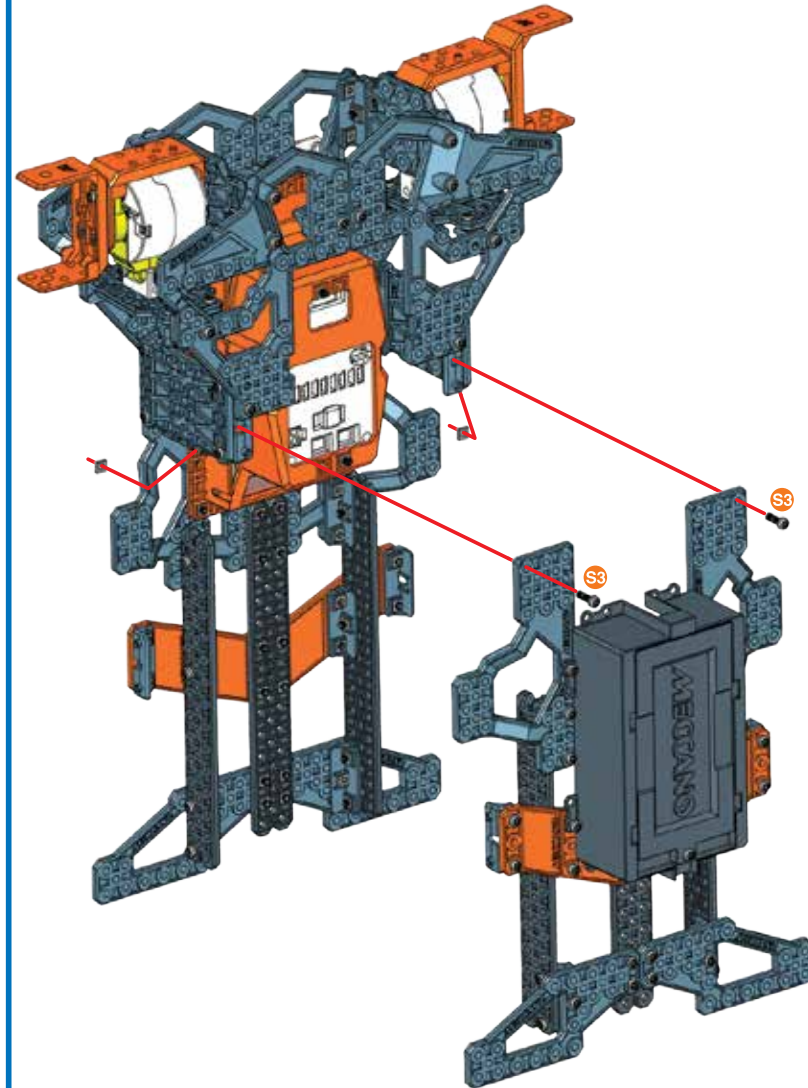
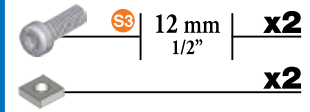


34






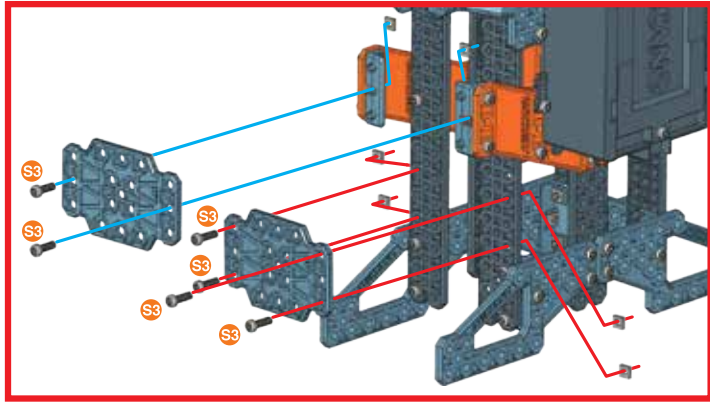
35

25 + 34 +

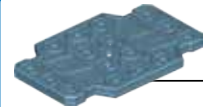




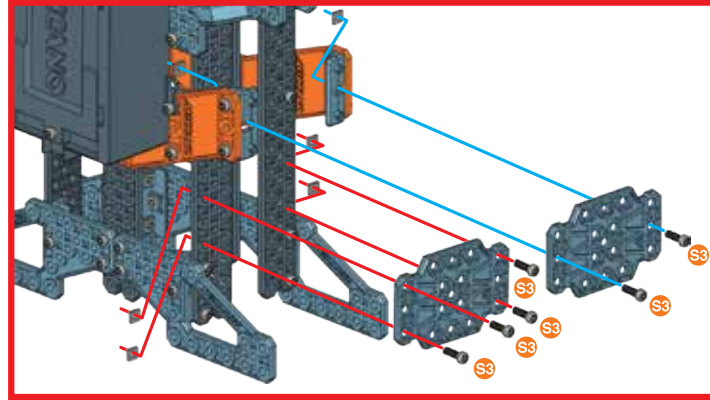
36

-  **x2**
-  **S3** | 12 mm | **x6**
-  **x6**

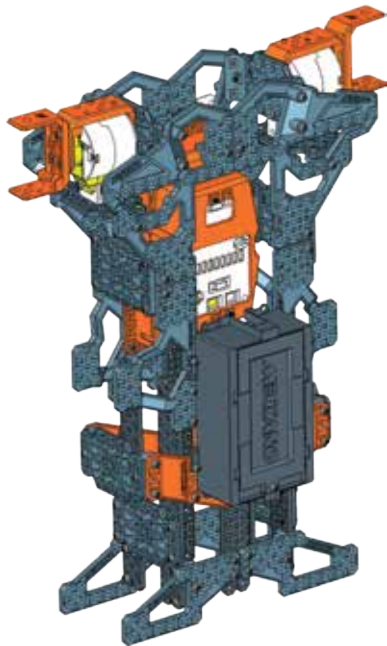


37


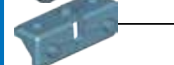
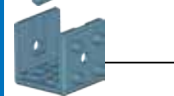

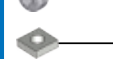
-  **x2**
-  **S3** | 12 mm | **x6**
-  **x6**

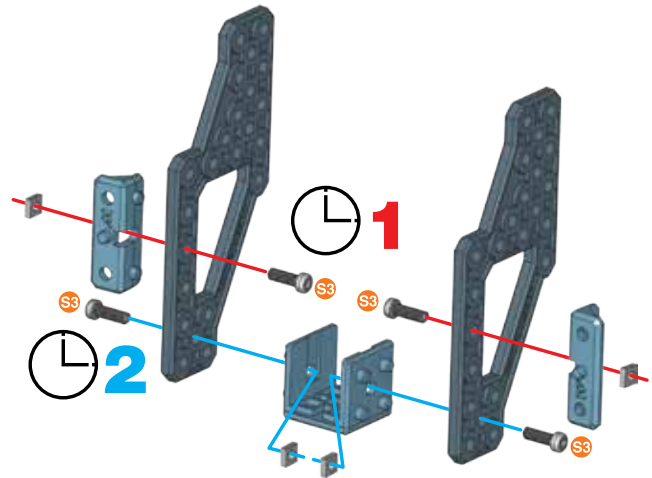


38

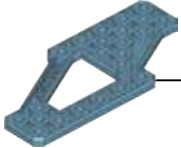




39

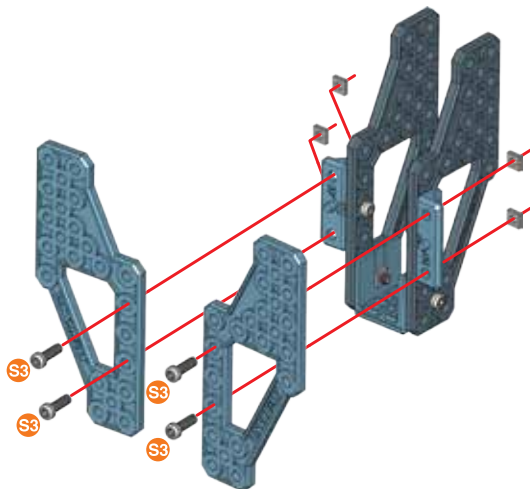
-  **x2**
-  **x2**
-  **x1**
-  **S3** | 12 mm | **x4**
-  **x4**



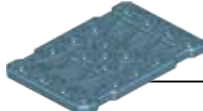



40

-  **x2**
-  **x4**
-  **x4**

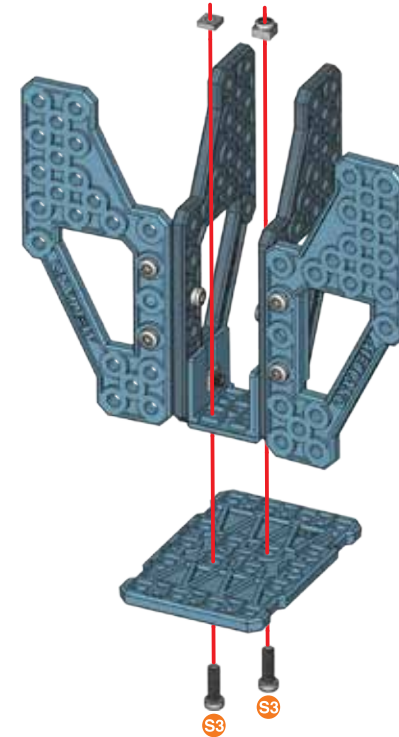
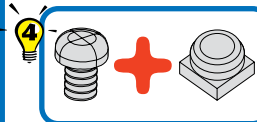
-  **1:1**



41



-  **x1**
-  **x2**
-  **x1**
-  **x1**

-  **1:1**

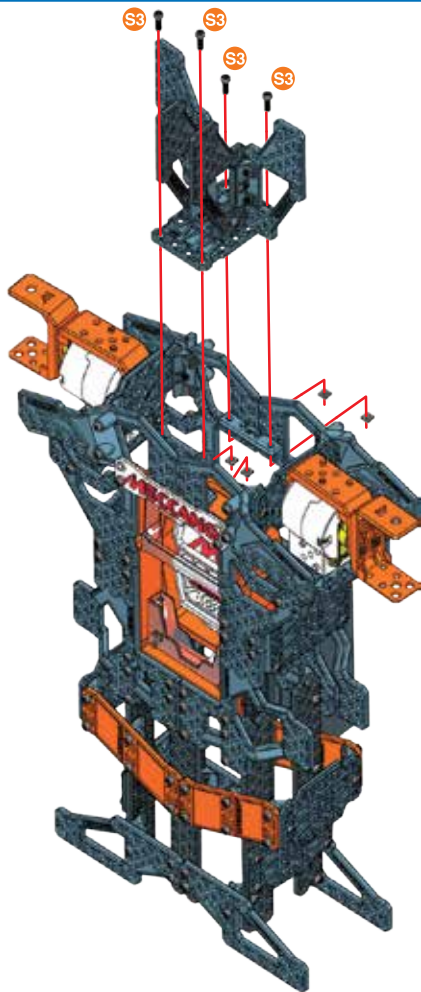


42






38 + 41 +

-  **x4**
-  **x4**

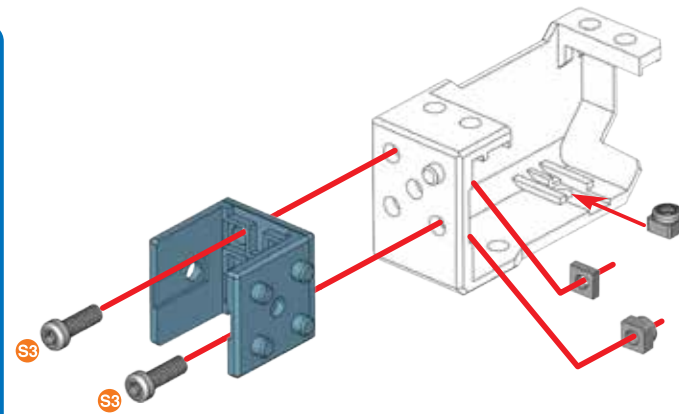
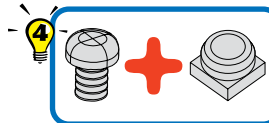
-  **1:1**



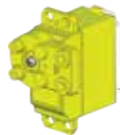
43

-  **x1**
-  **x1**
-  **x2**
-  **x1**
-  **x2**

-  **1:1**



44



x1

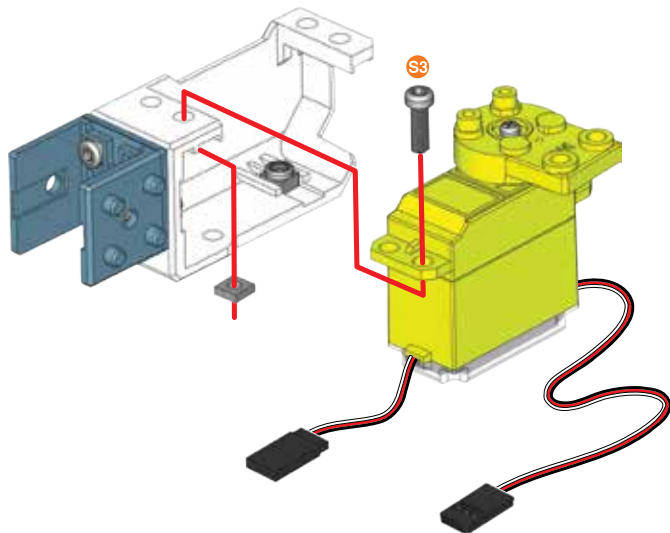
S3 | 12 mm | x1
1/2"

x1



S3

1:1



45



x1

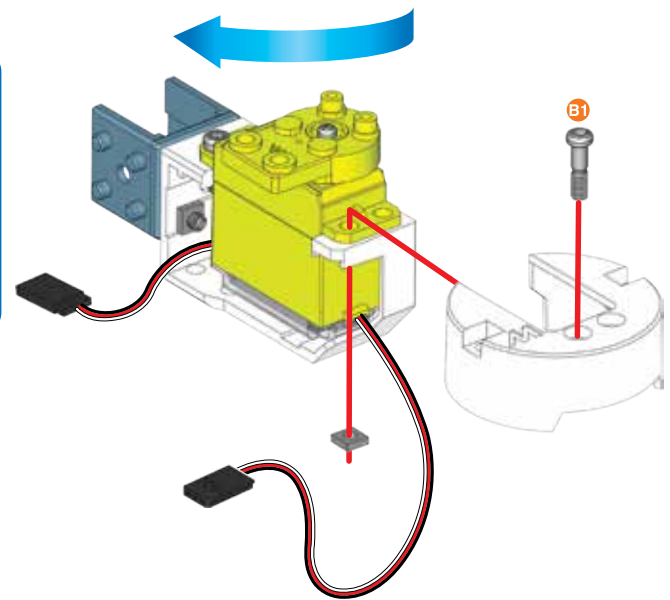
B1 | 14,7 mm | x1
37/64"

x1



B1

1:1



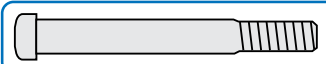
46



x1

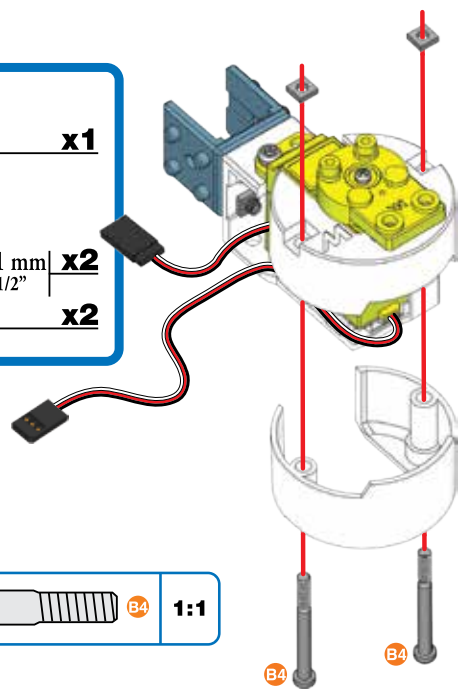
B4 | 38,1 mm | x2
1 1/2"

x2



B4

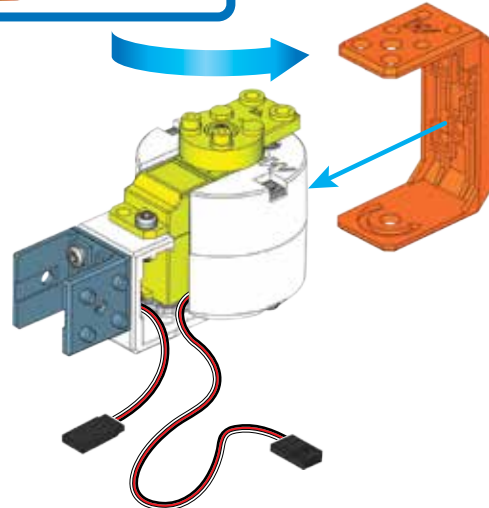
1:1



47



x1



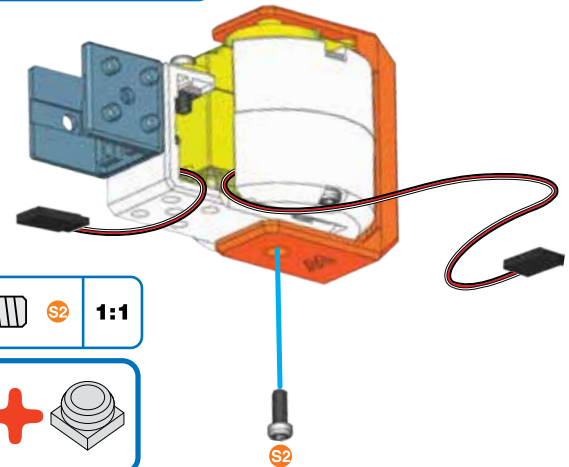
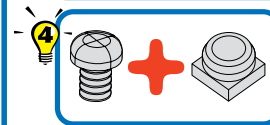
48

S2 | 9,5 mm | x1
3/8"

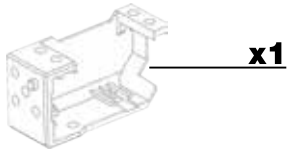


S2

1:1



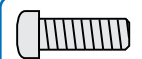
49



x1

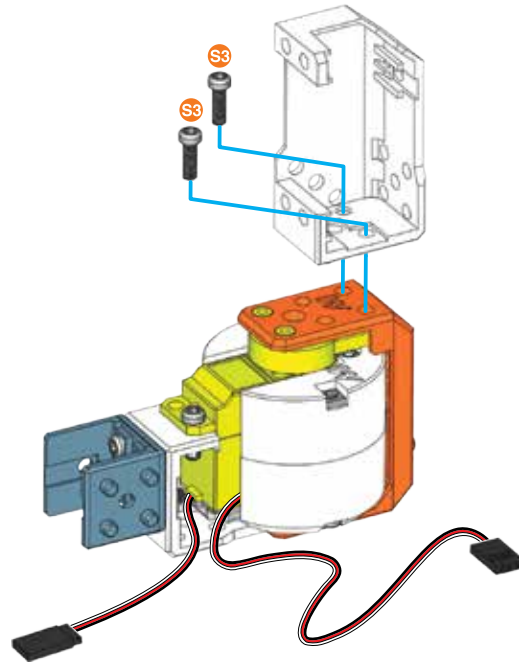


x2

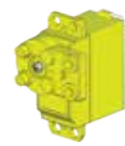


S3

1:1



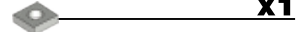
50



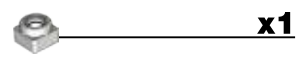
x1



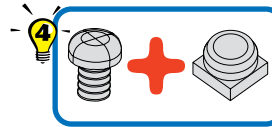
x1



x1

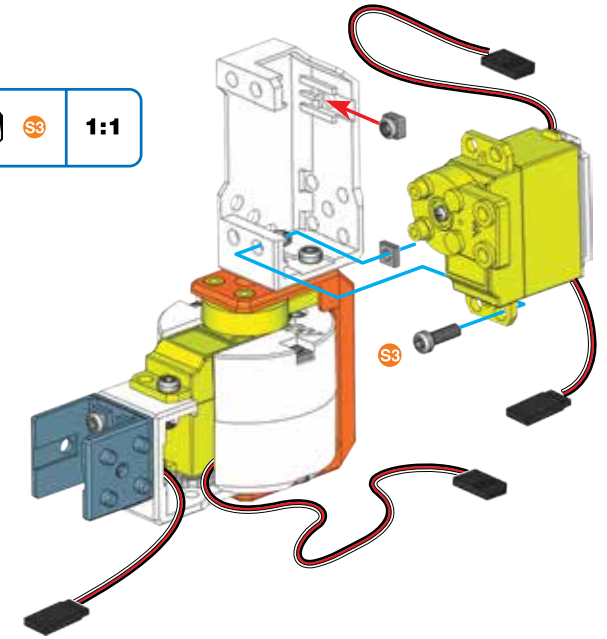


x1

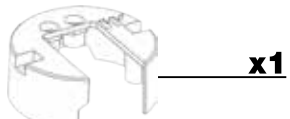


S3

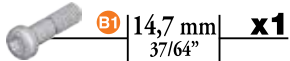
1:1



51



x1



x1

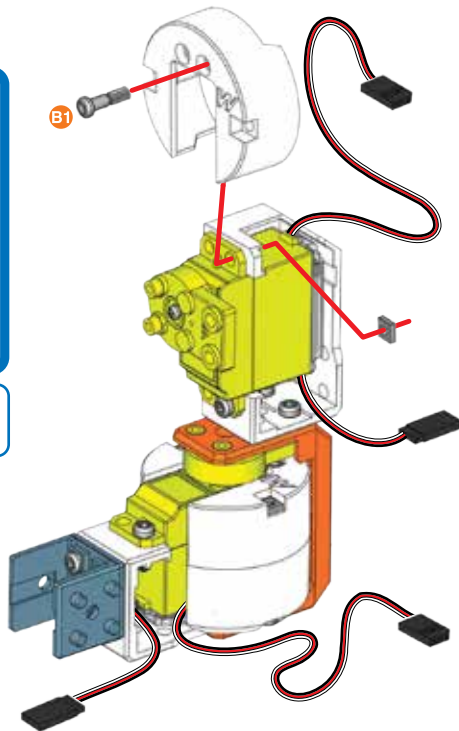


x1



B1

1:1



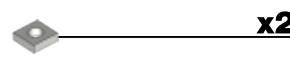
52



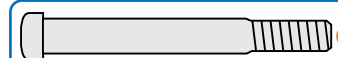
x1



x2

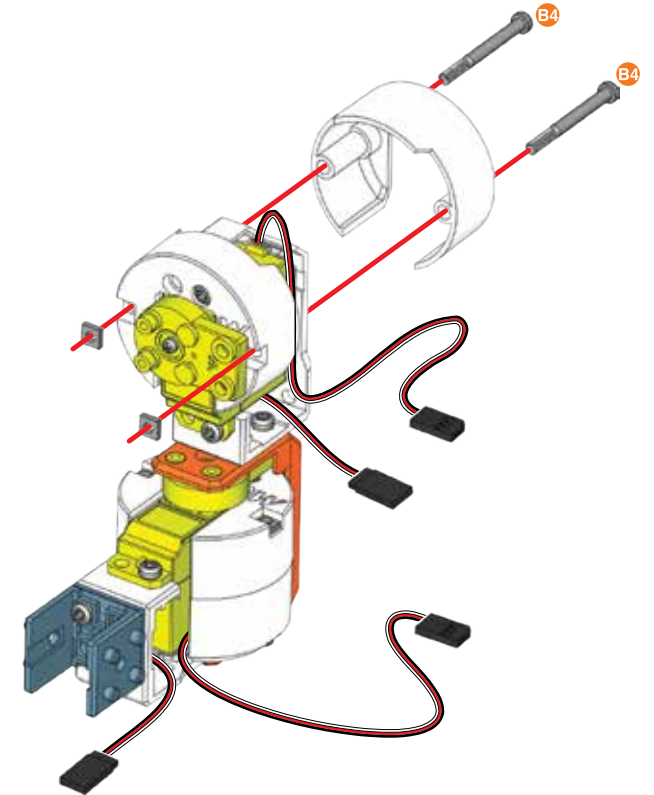


x2





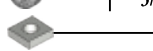


B4

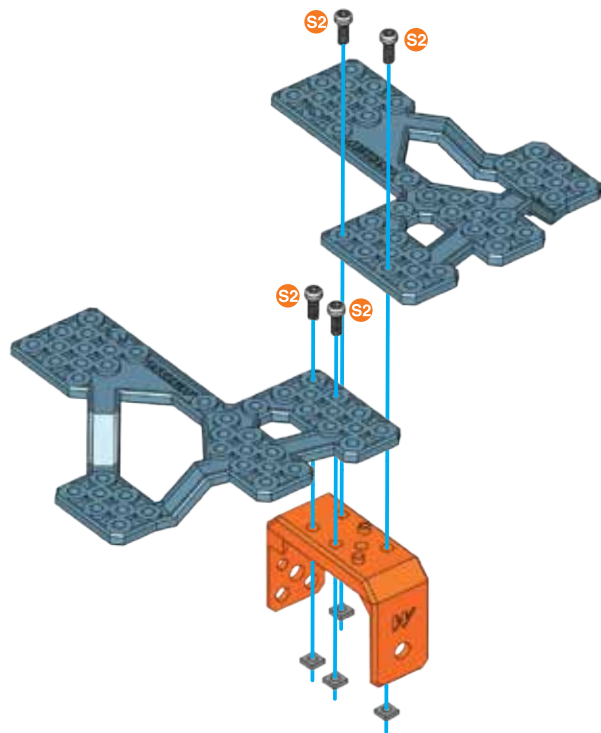
1:1



53


-  **x1**
-  **x1**
-  **x1**
-  **x4**
-  **x4**

-  **S2** **1:1**

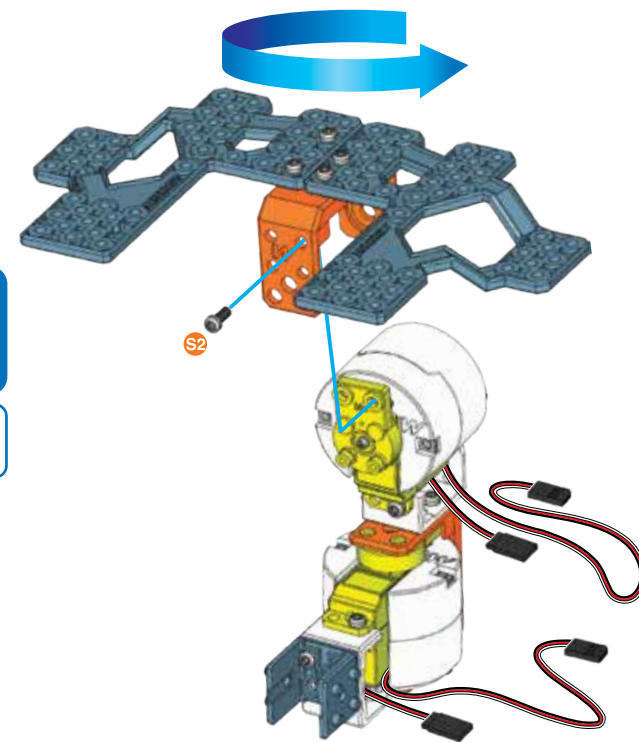


54


52 + 53 +

-  **S2** | 9,5 mm | **x1**
3/8"

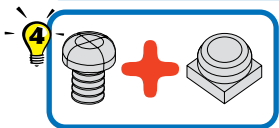
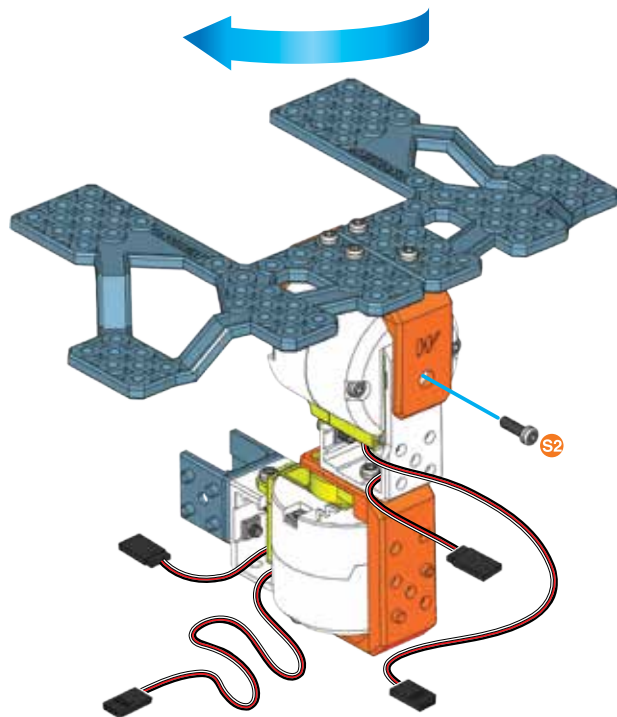
-  **S2** **1:1**



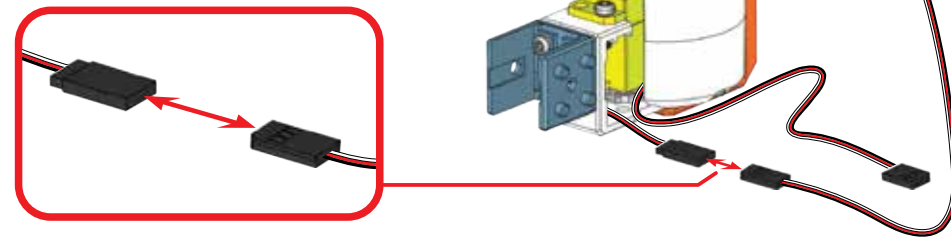
55

-  **S2** | 9,5 mm | **x1**
3/8"



-  **S2** **1:1**



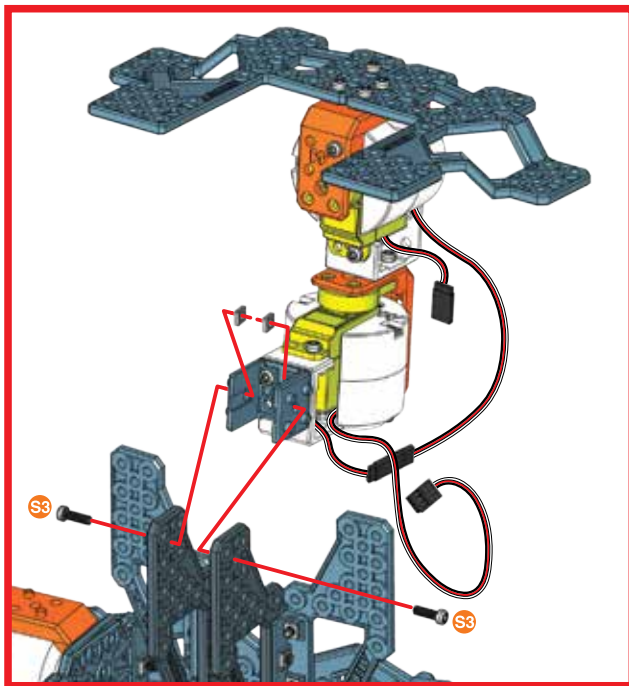
56






57**42 + 56 +**

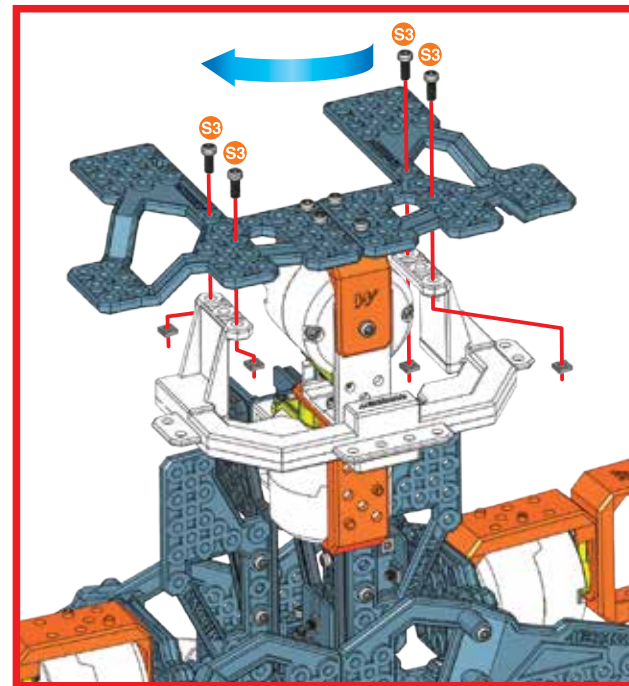
	12 mm 1/2"	x2
		x2

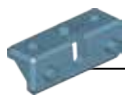


	S3	1:1
--	-----------	------------

**58**

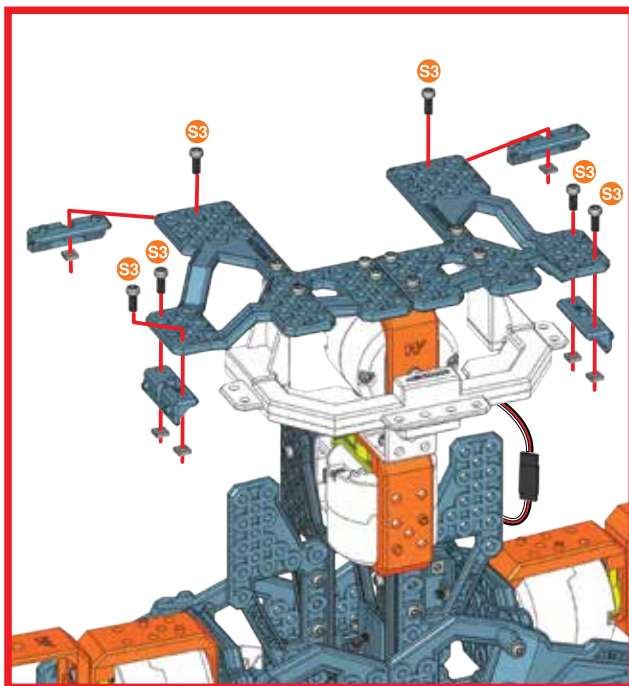
		x1
	12 mm 1/2"	x4
		x4

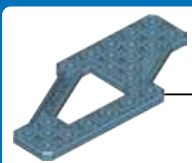


	S3	1:1
---	-----------	------------

**59**

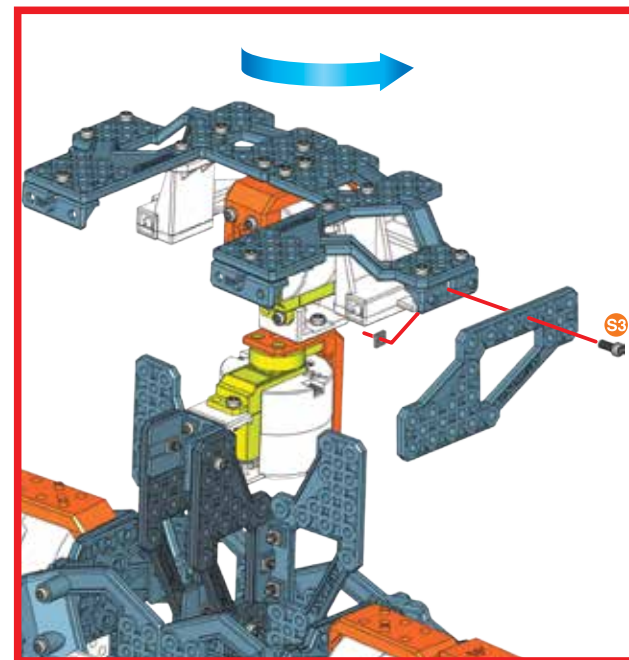
		x4
	12 mm 1/2"	x6
		x6

	S3	1:1
--	-----------	------------

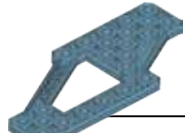
**60**

		x1
	12 mm 1/2"	x1
		x1

	S3	1:1
---	-----------	------------



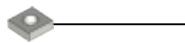
61



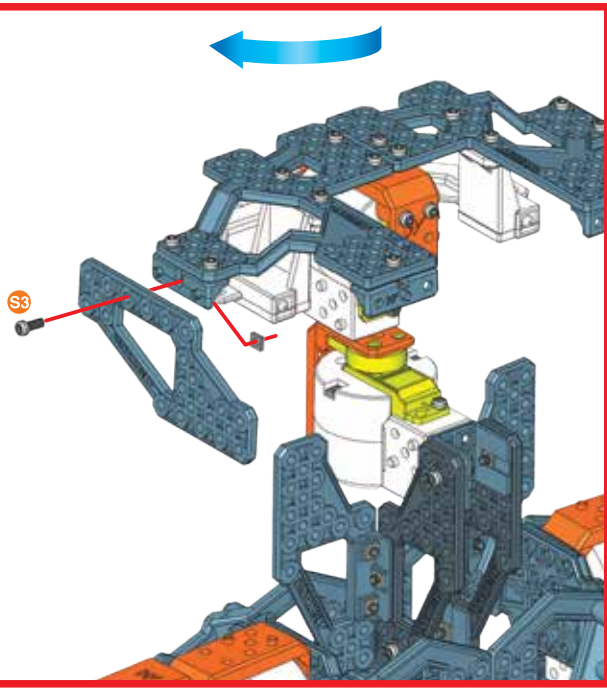
x1



x1



x1



62



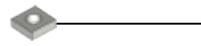
x2



x1



x4

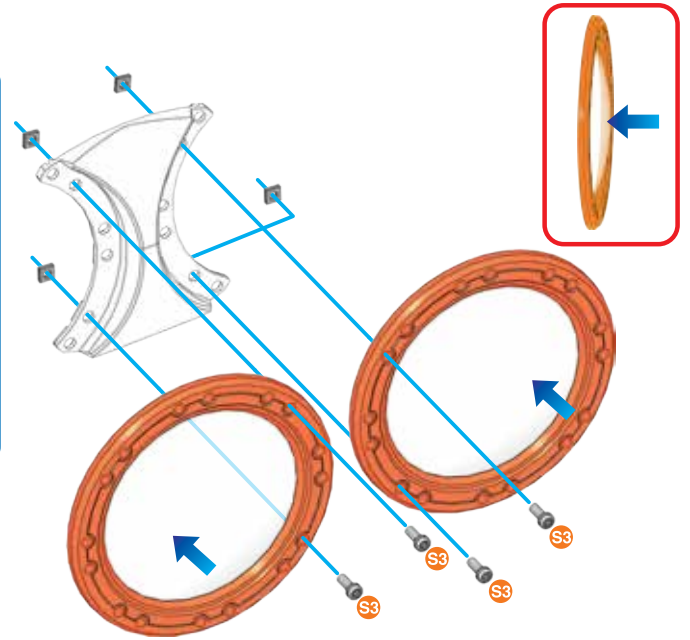


x4



S3

1:1

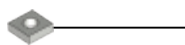


63

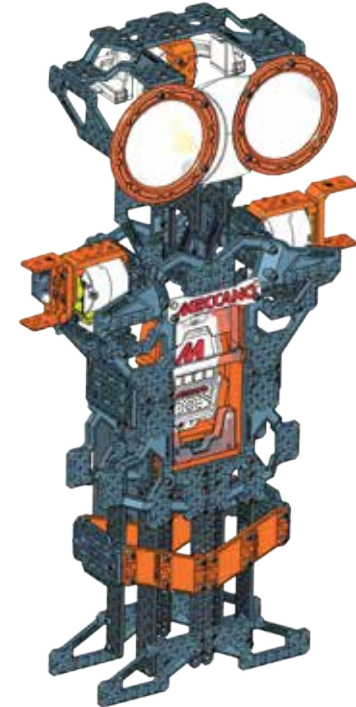
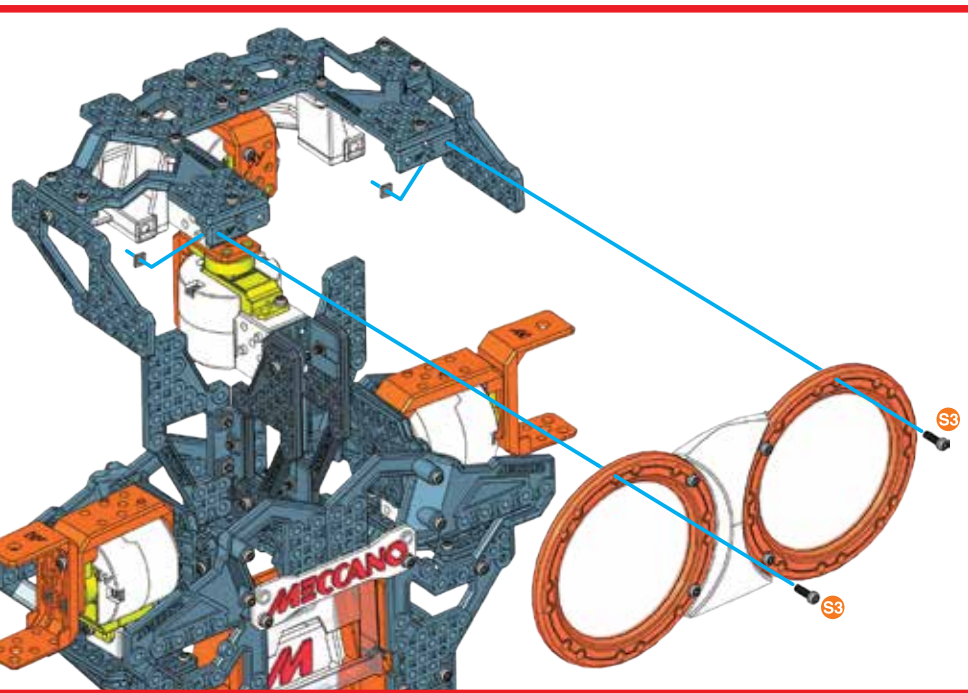
61 + 62 +



x2



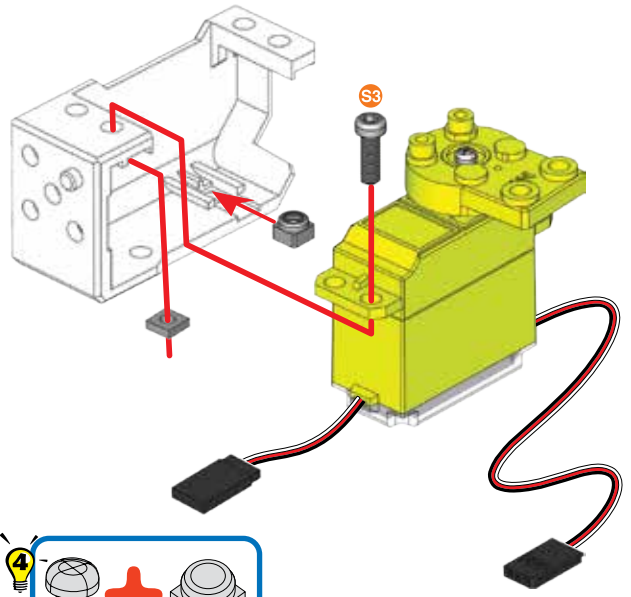
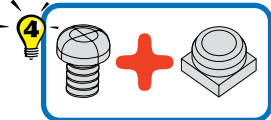
x2



64

- x1
- x1
- | 12 mm | $\frac{1}{2}$ " | x1
- x1
- x1

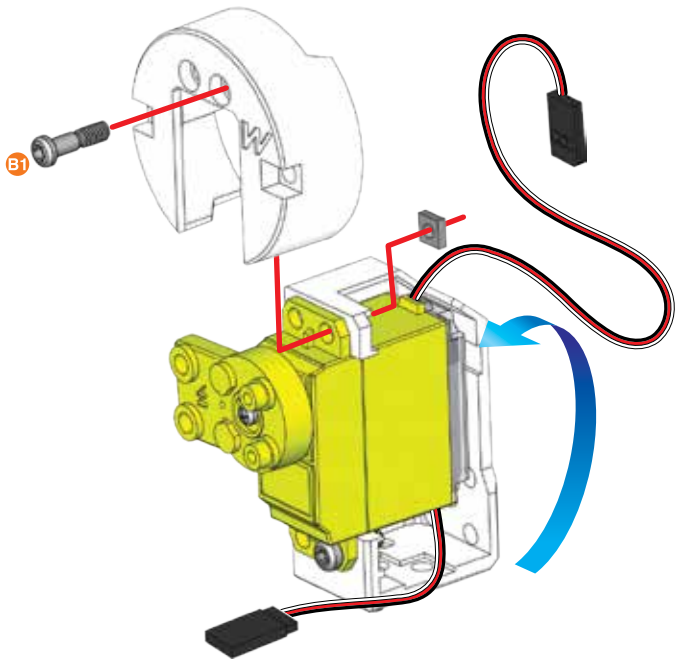
	S3	1:1
--	----	-----



65

- x1
- | 14,7 mm | $\frac{37}{64}$ " | x1
- x1

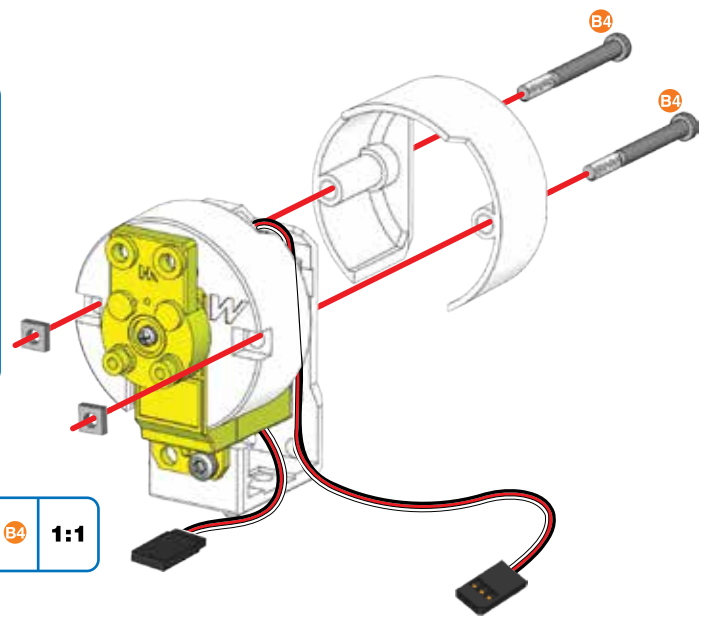
	B1	1:1
--	----	-----



66

- x1
- | 38,1 mm | $1\frac{1}{2}$ " | x2
- x2

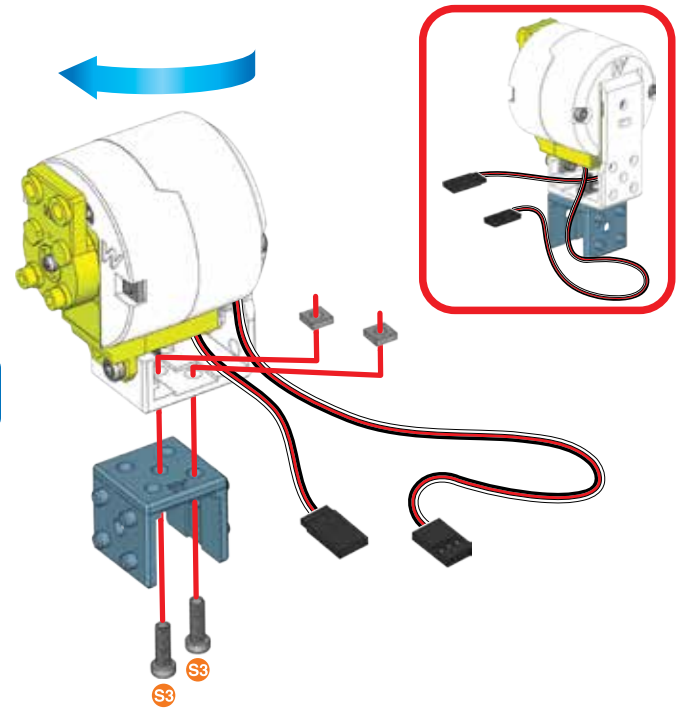
	B4	1:1
--	----	-----



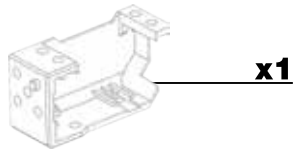
67

- x1
- | 12 mm | $\frac{1}{2}$ " | x2
- x2

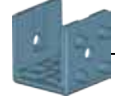
	S3	1:1
--	----	-----



68



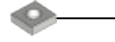
x1



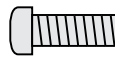
x1



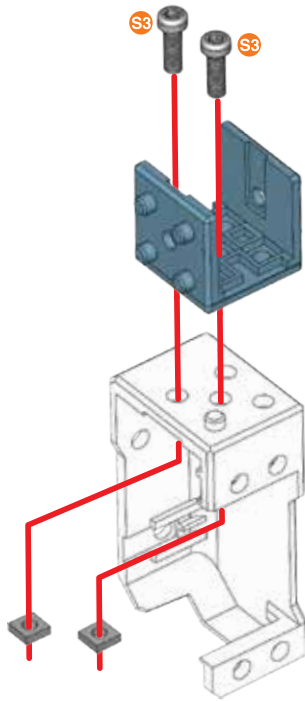
x2



x2

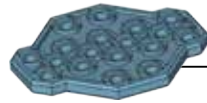


1:1



69

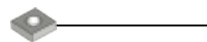
67 + 68 +



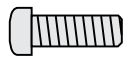
x2



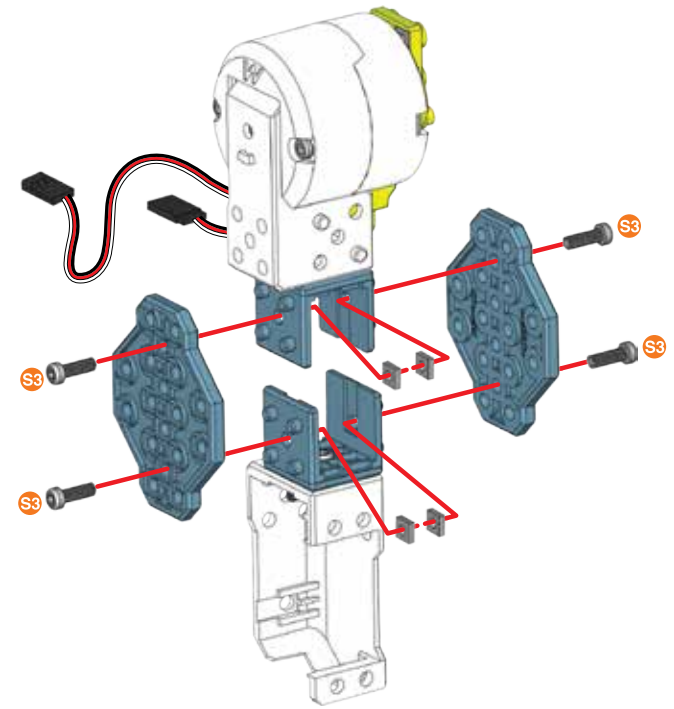
x4



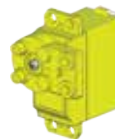
x4



1:1



70



x1



x1



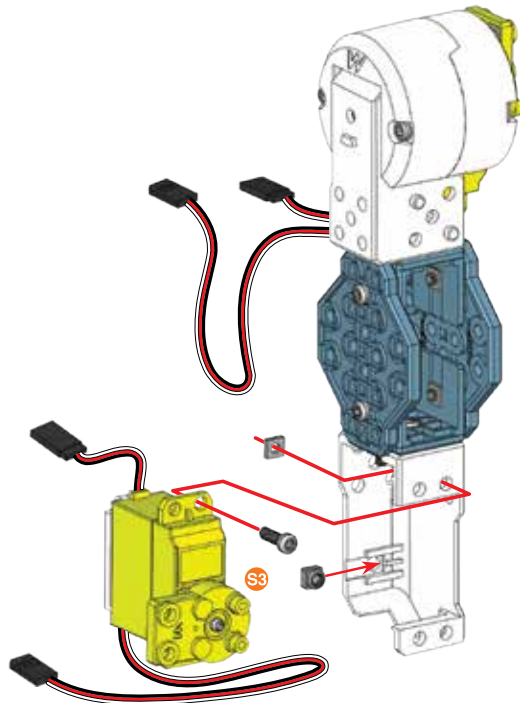
x1



x1



1:1



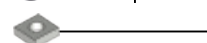
71



x1



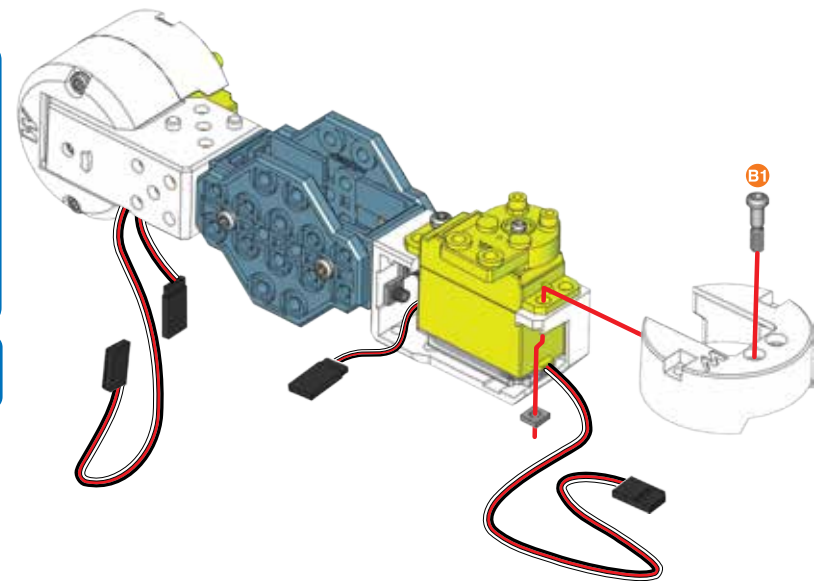
x1

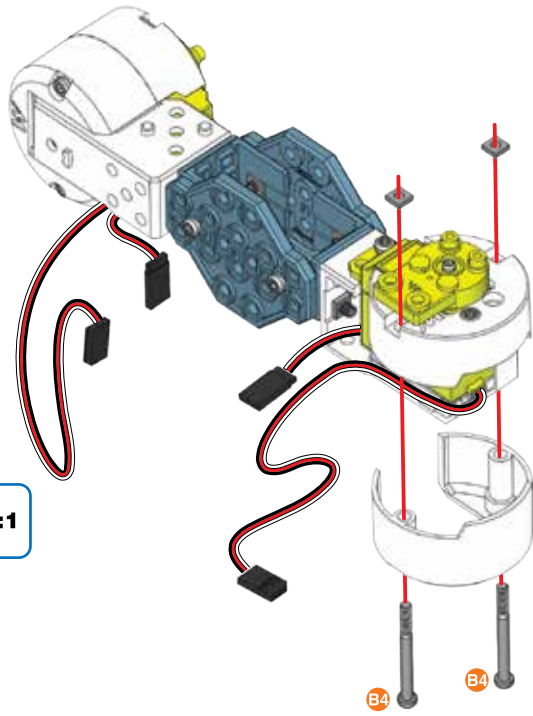
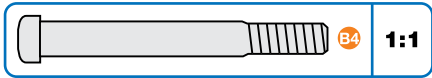
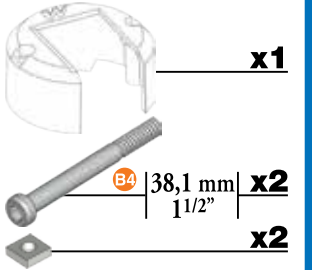
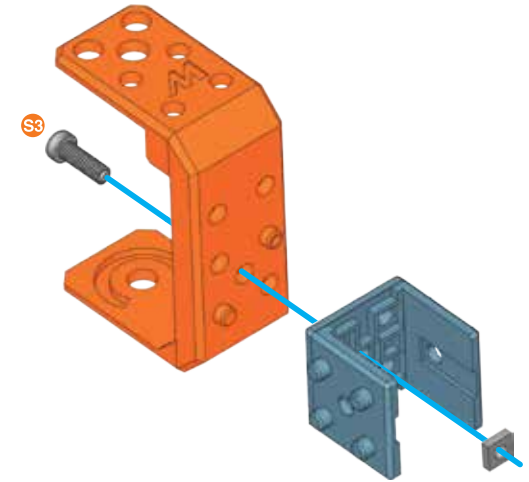
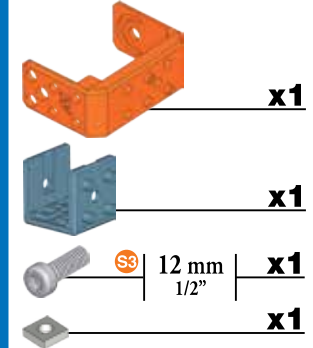
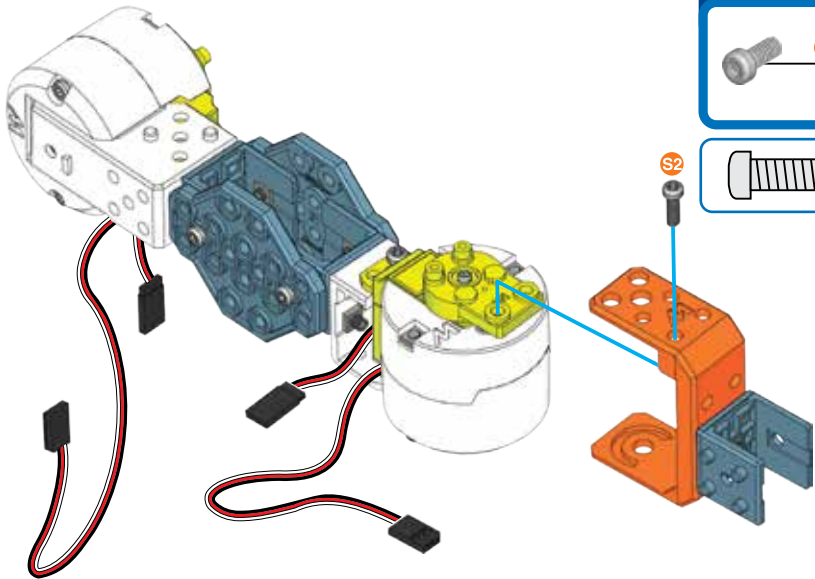
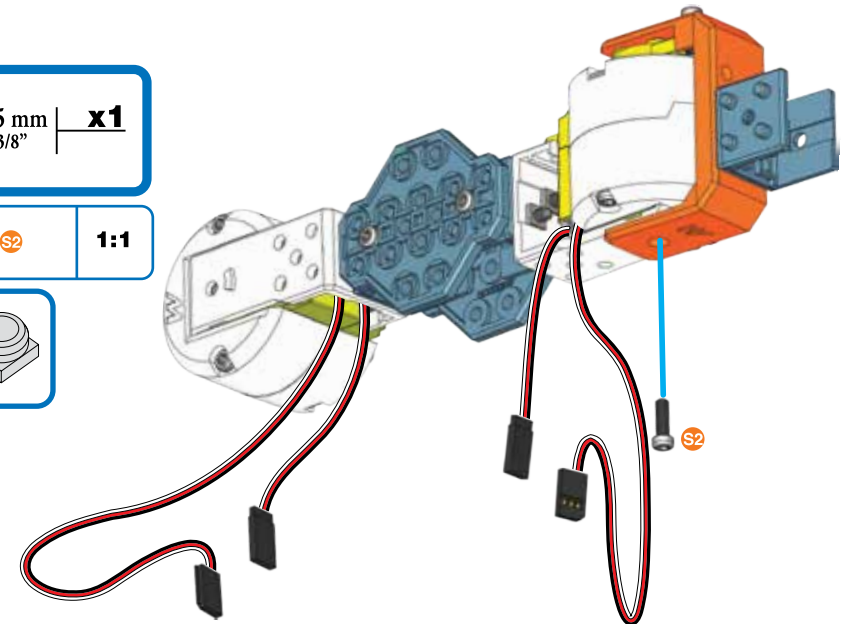
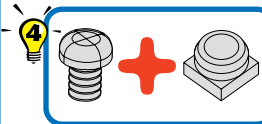


x1






1:1

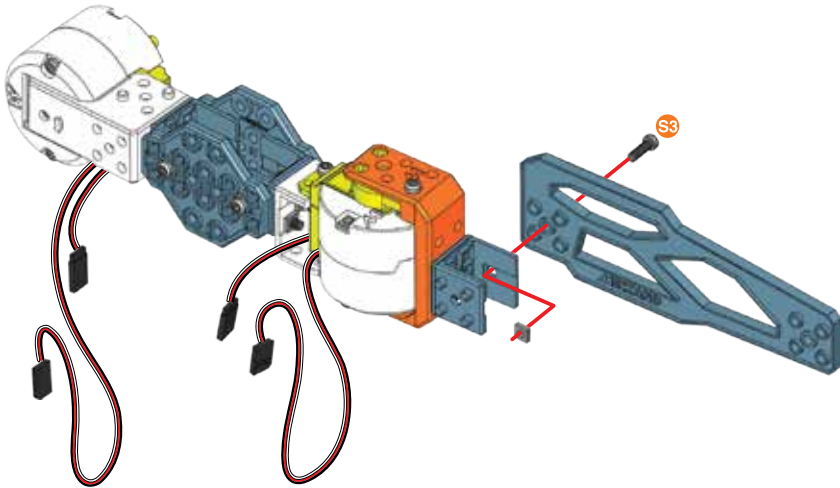


72**73****74****72 + 73 +****75**



76

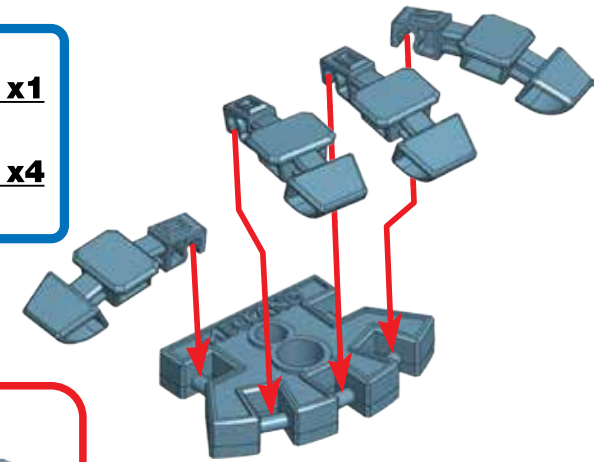
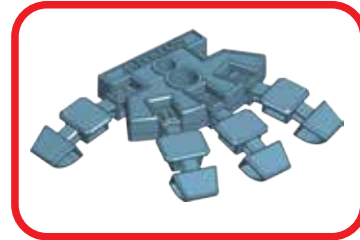
-  **x1**
-  **S3** | 12 mm | **x1**
-  **x1**

-  **S3** | **1:1**






77

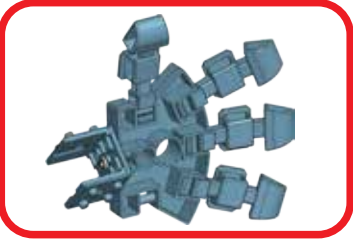
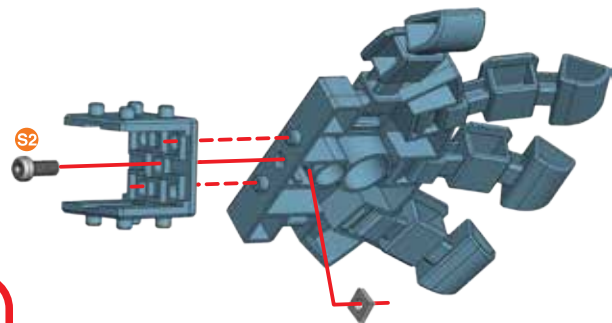
-  **x1**
-  **x4**



78



-  **x1**
-  **S2** | 9,5 mm | **x1**
-  **x1**

-  **S2** | **1:1**

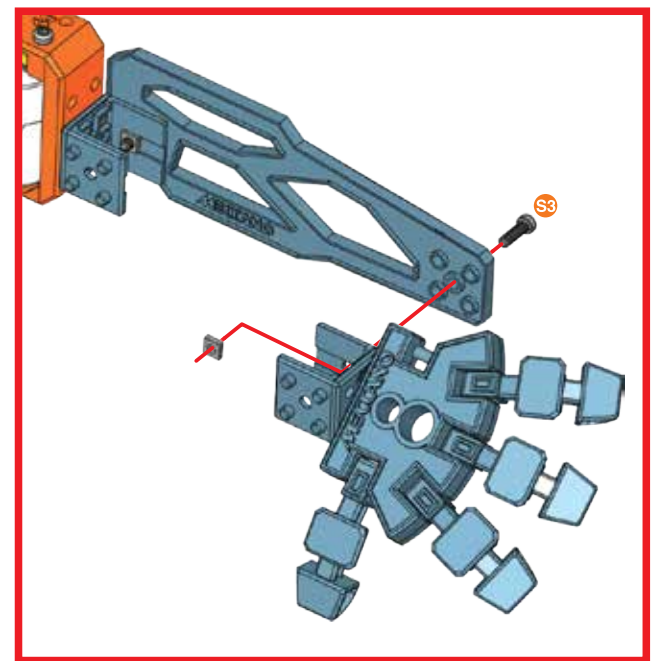
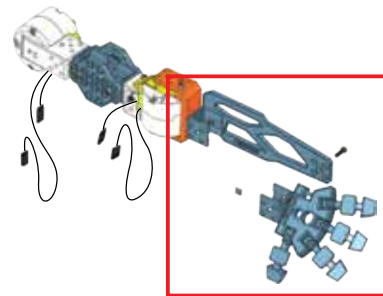


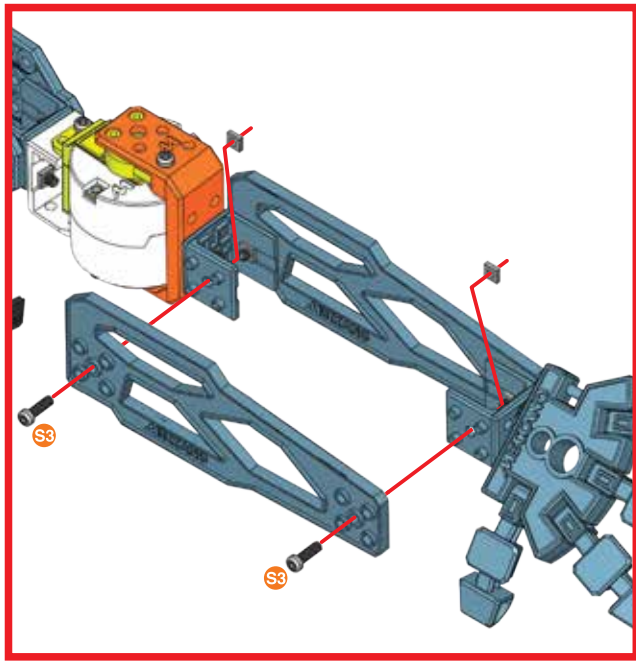
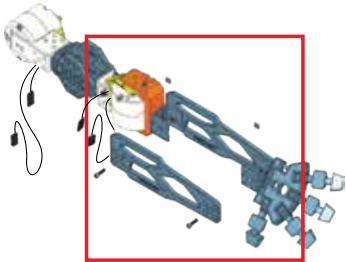
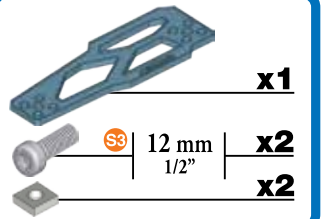
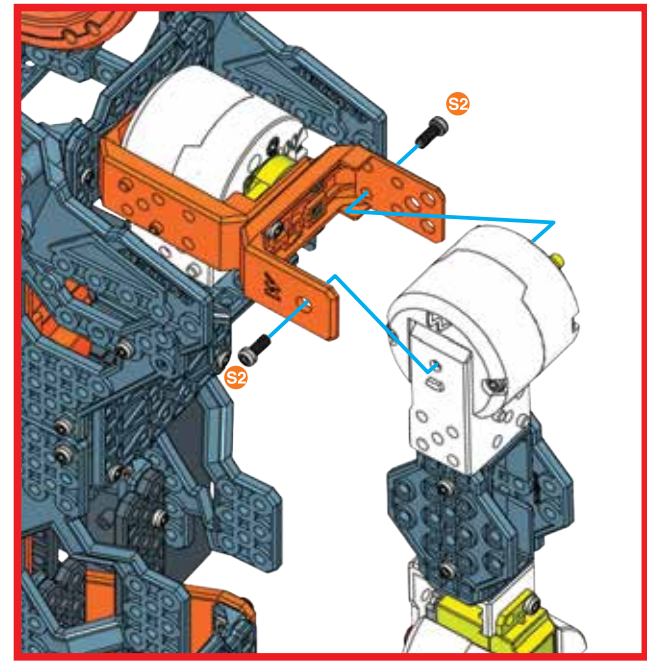
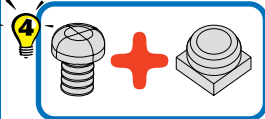
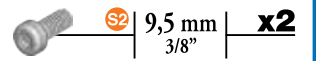
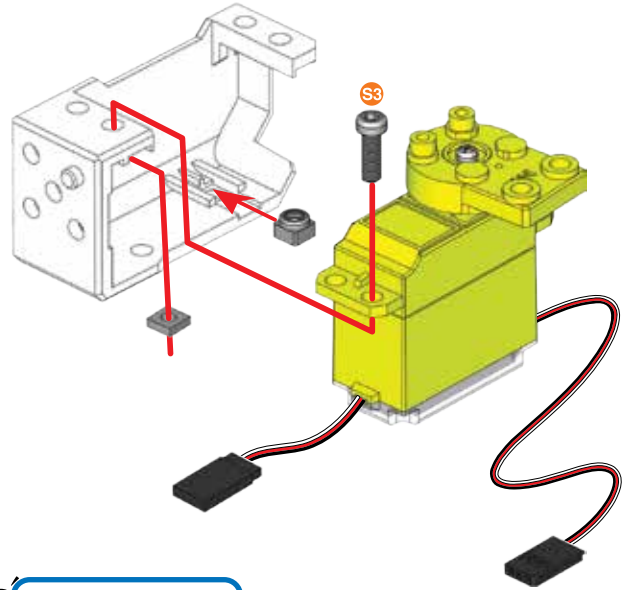
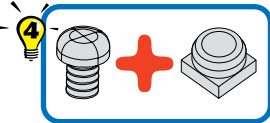
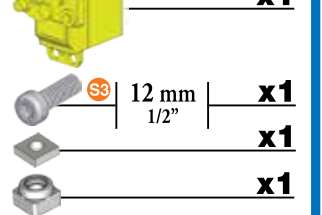
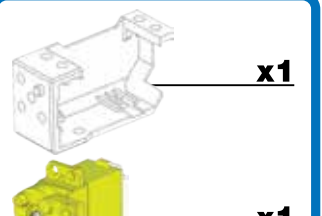
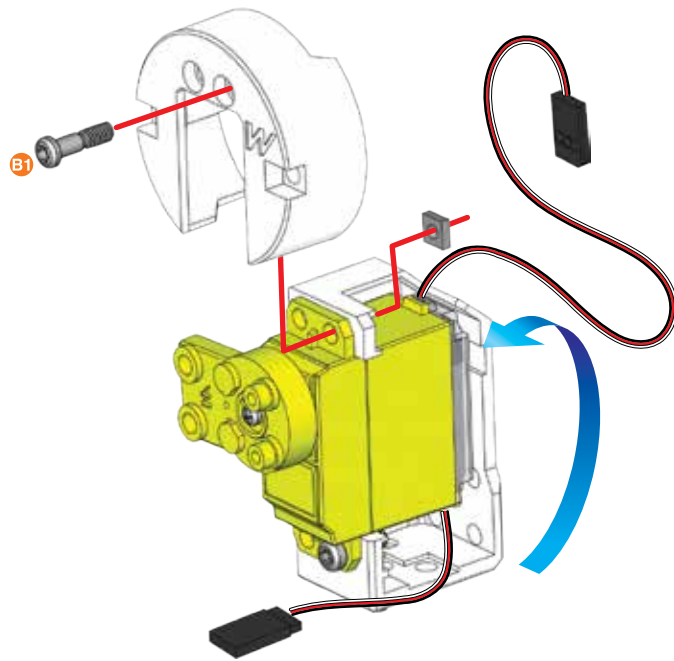
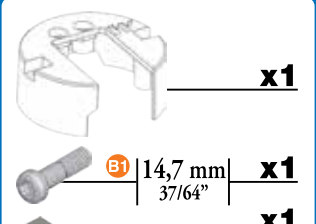
79

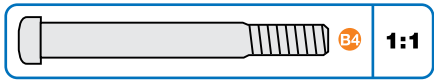
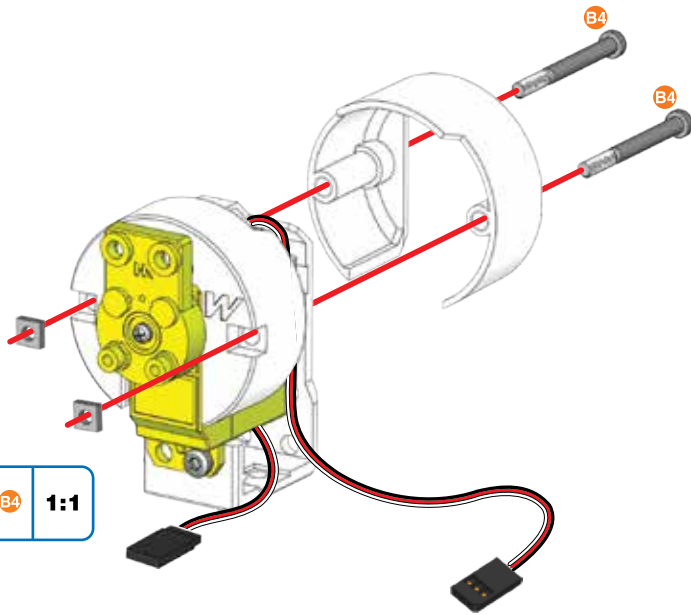
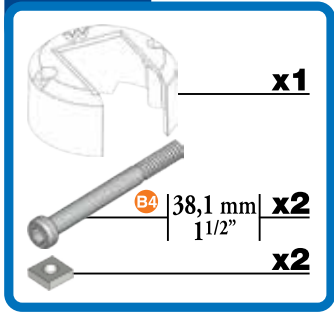
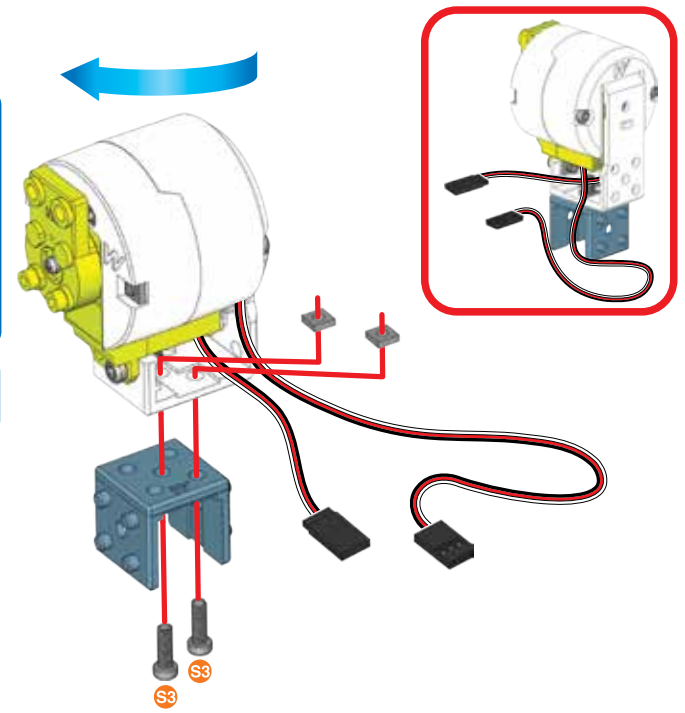
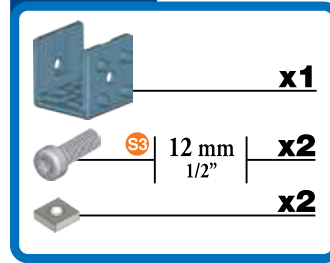
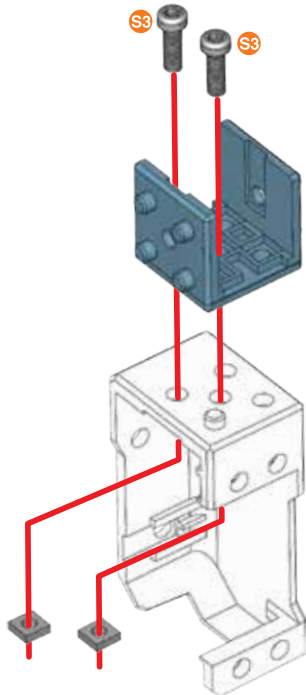
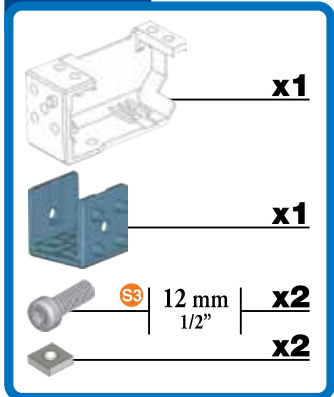
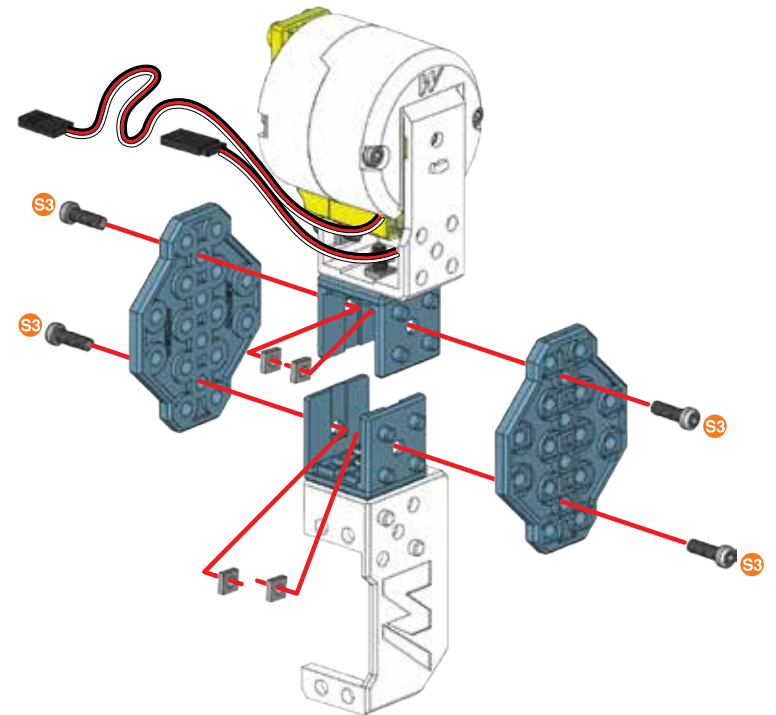
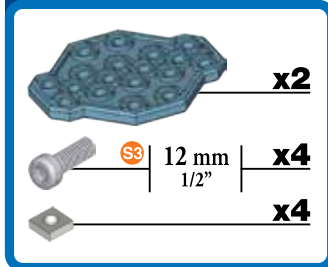
76 + 78 +

-  **S3** | 12 mm | **x1**
-  **x1**

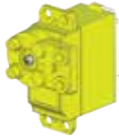
-  **S3** | **1:1**



80**81****63 + 80 +****82****83**

84**85****86****87****85 + 86 +**

88



x1



12 mm
1/2"

x1



x1

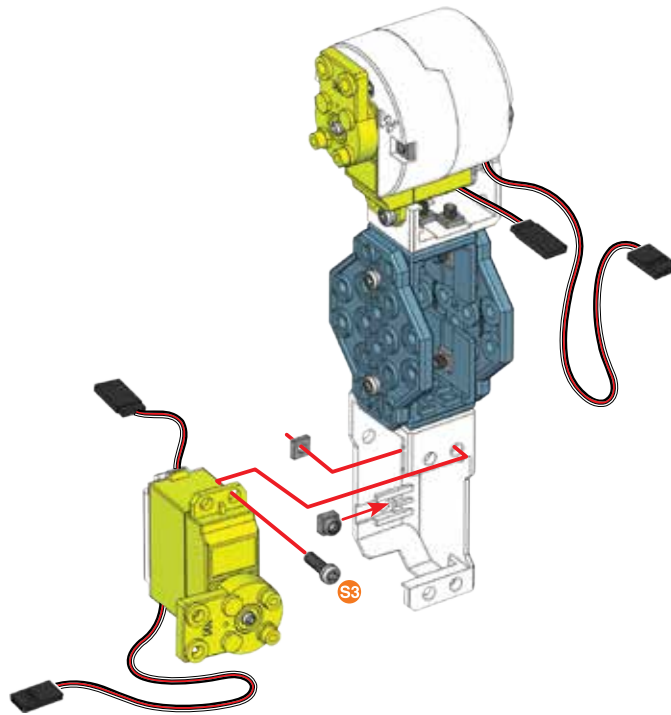
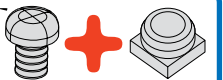


x1



S3

1:1



89



x1

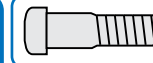


14,7 mm
37/64"

x1



x1

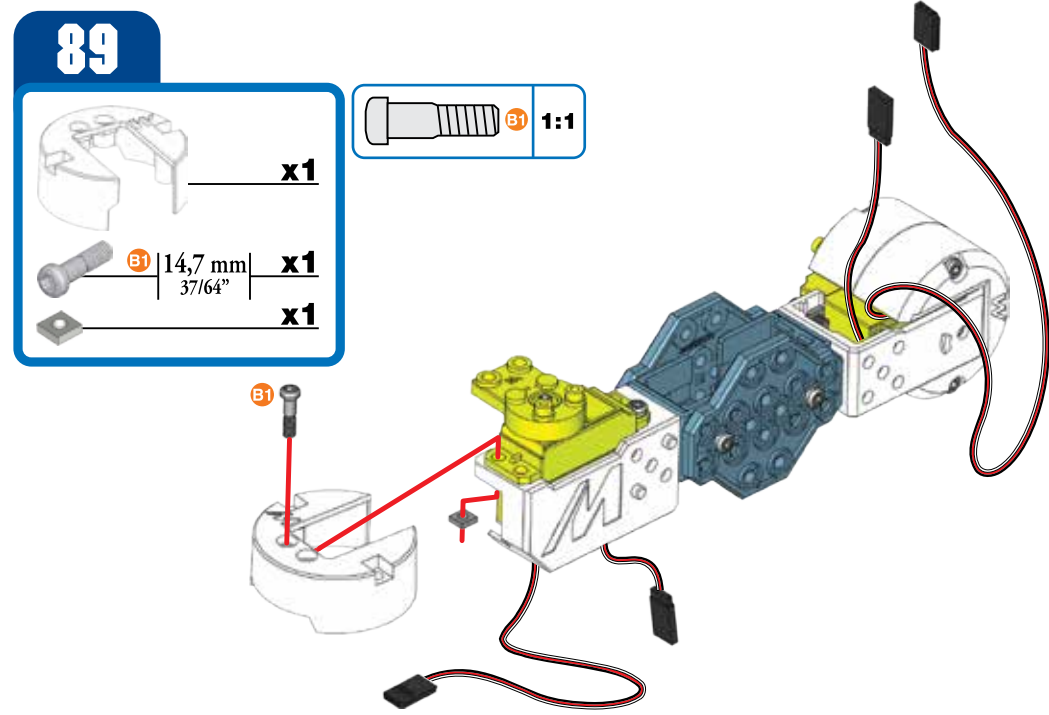


B1

1:1

B1

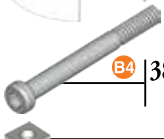
B1



90

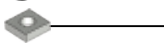


x1

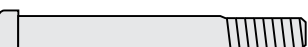


38,1 mm
1 1/2"

x2

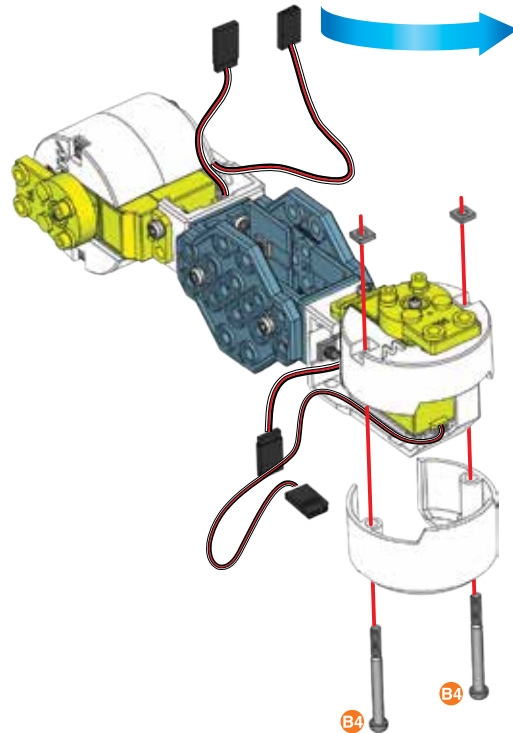


x2



B4

1:1



91



x1

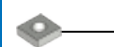


x1



12 mm
1/2"

x1

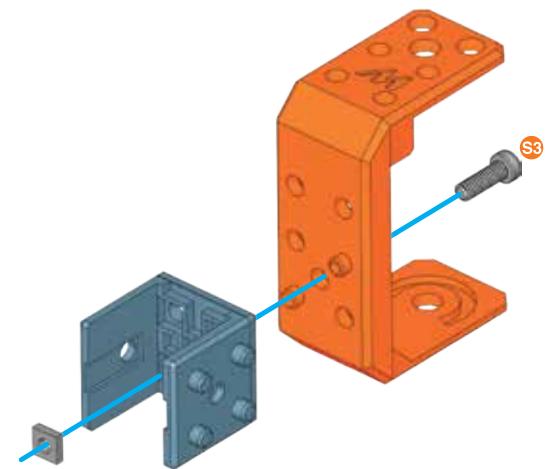


x1



S3

1:1

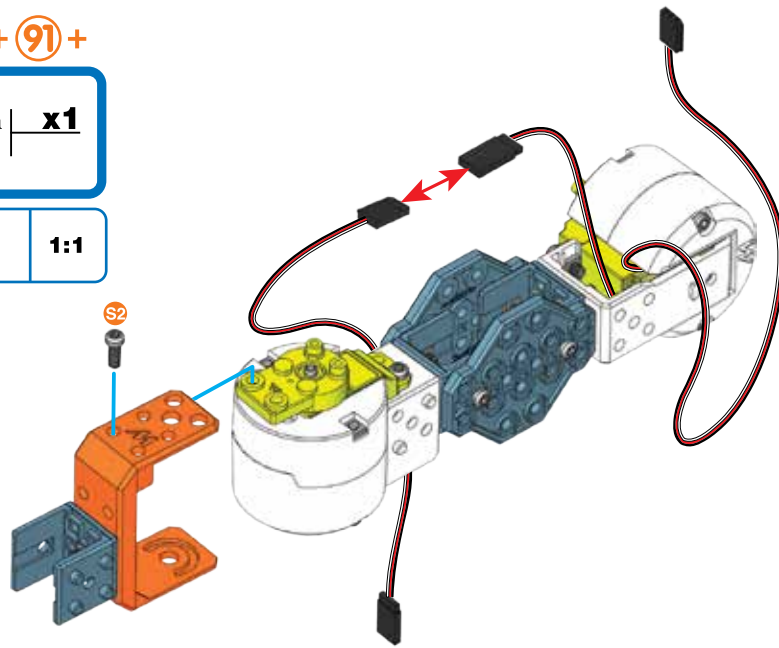


92

90 + 91 +

S2 | 9,5 mm | x1
3/8"

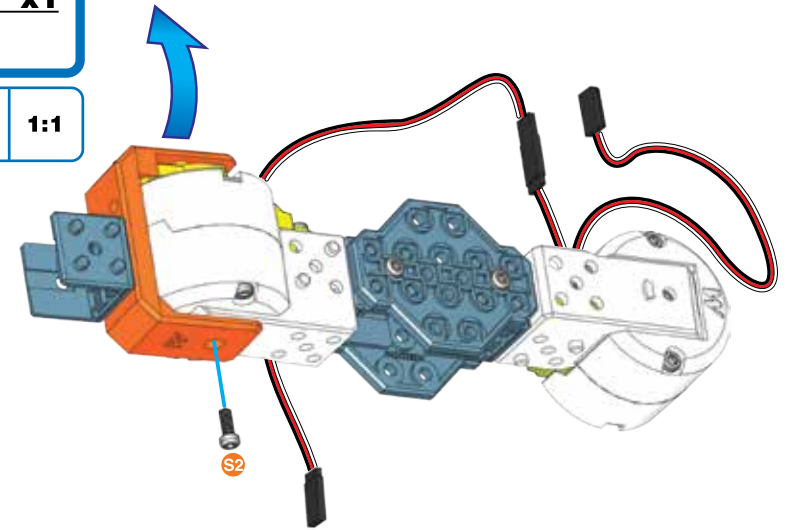
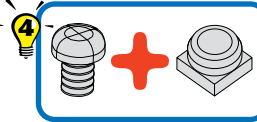
1:1



93

S2 | 9,5 mm | x1
3/8"

1:1



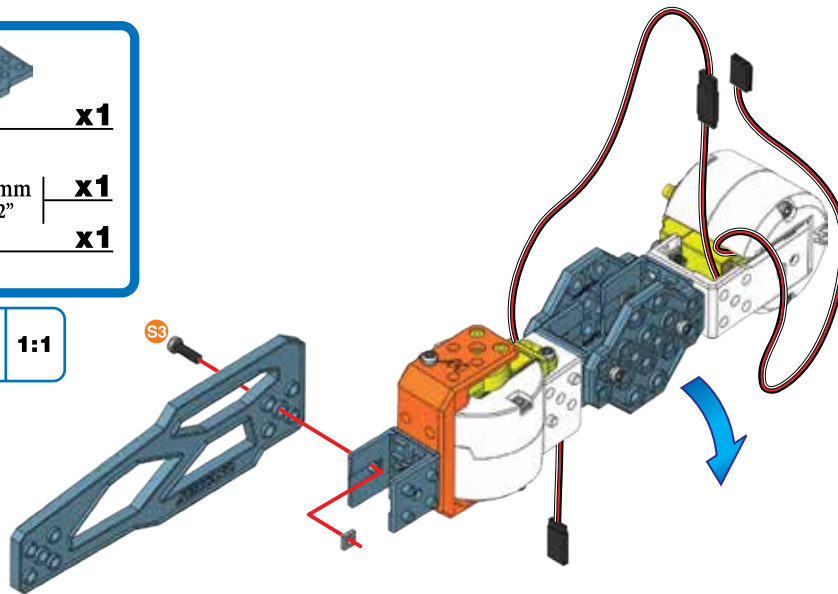
94

x1

S3 | 12 mm | x1
1/2"

x1

1:1



95

x1

x4

