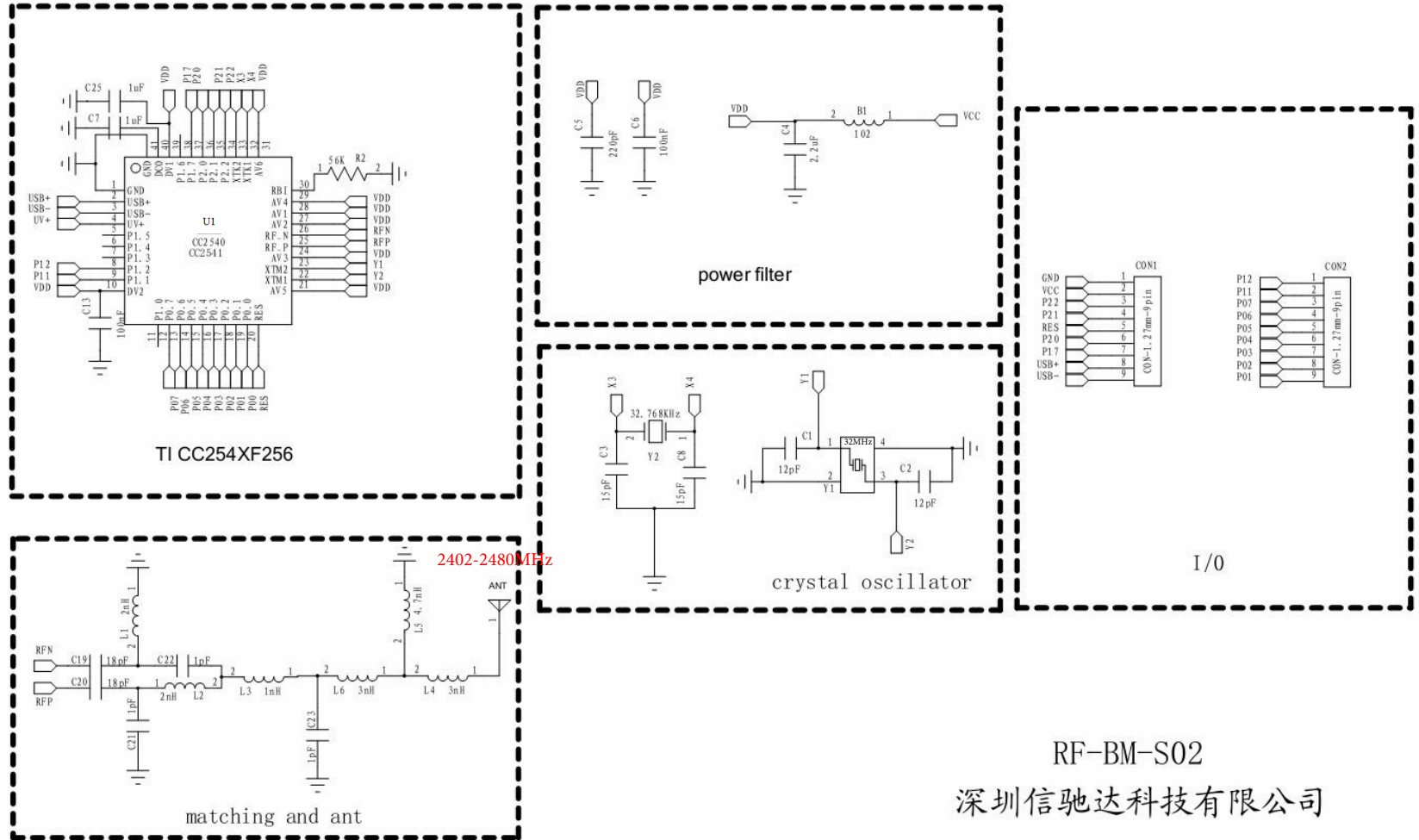
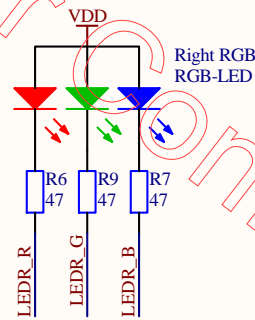
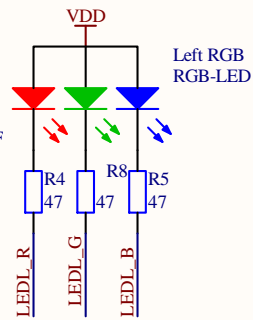
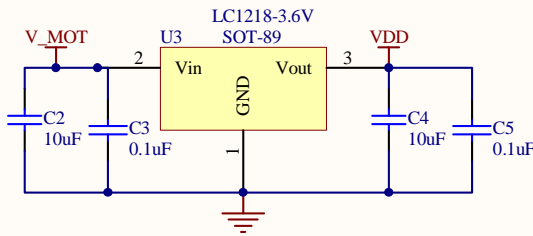
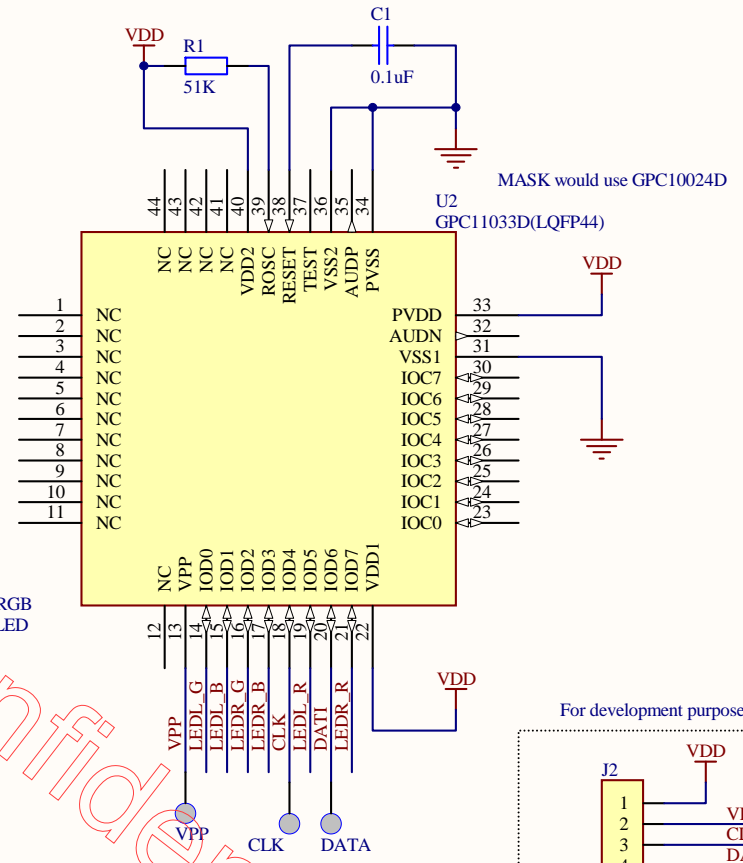
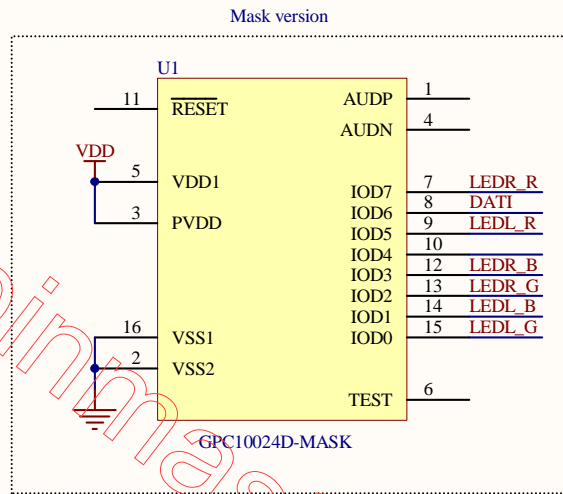
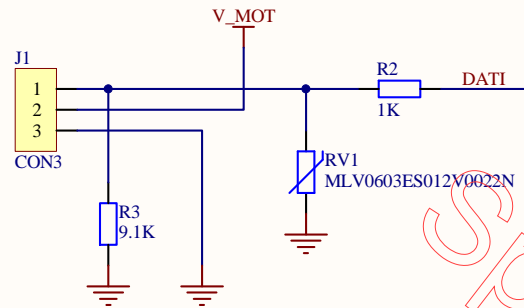


Drawing By:	Date: 2014-12-13	Title: 6057 MeccaNoid
Checked By:	Date:	Model NO.
Approved By:	Date:	Size
		Sheet 1 of 1
		Revision V2.8

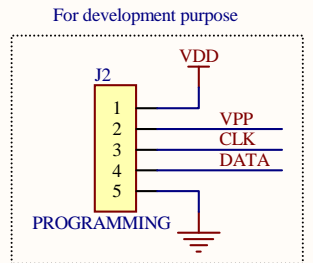
RF-BM-S02



RF-BM-S02
 深圳信驰达科技有限公司

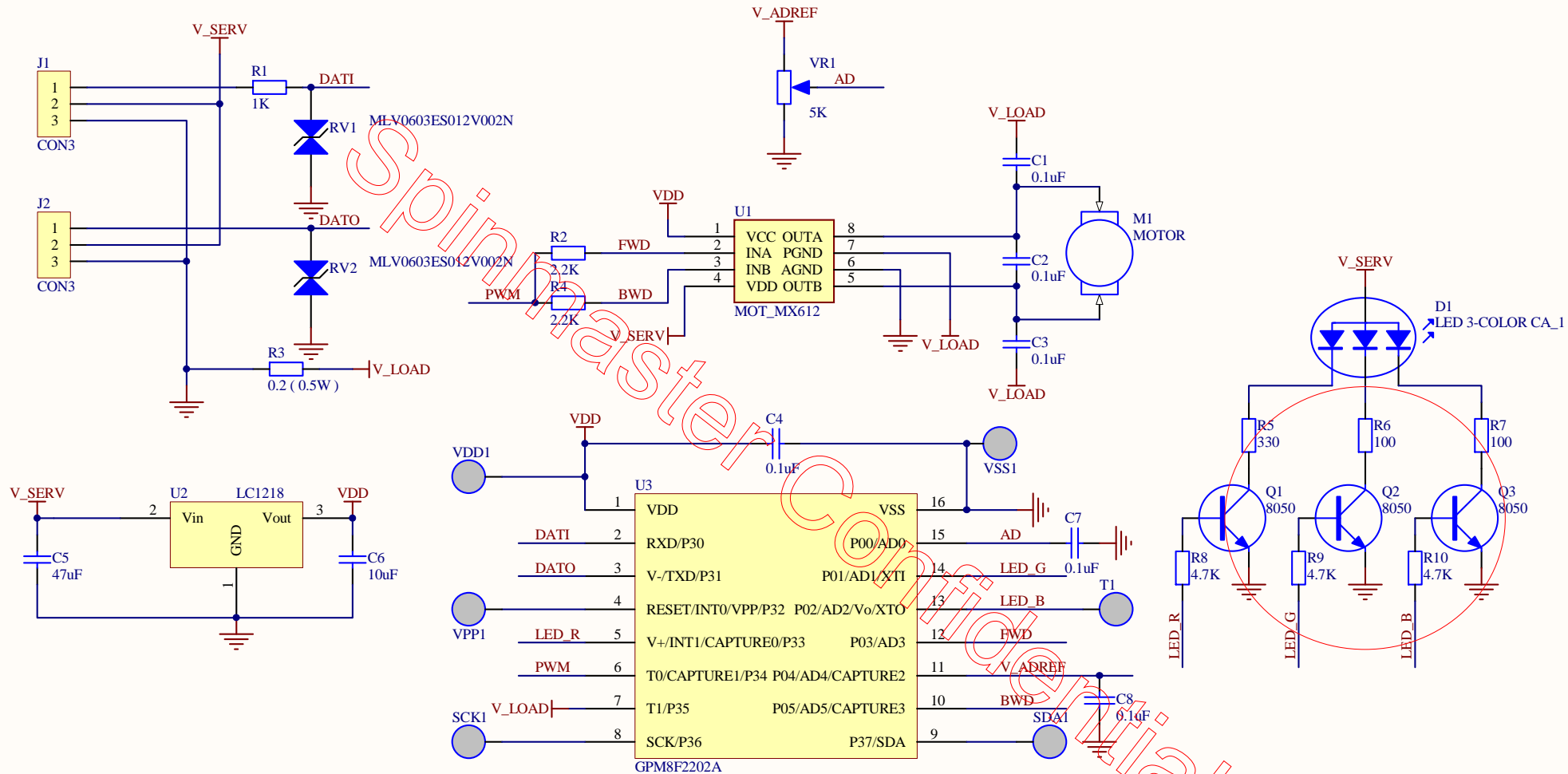


LED limited resistor are ajustalbe with compliance EN60825



Spin Master DongGuan Technical Consultancy Servicing Co. Ltd

Drawing By: Owen Lu	Date: 2014-10-22	Title: Meccanoid Brain-RGB LED		
Checked By:	Date:	Model NO.		
Approved By:	Date:	Size	Sheet 1 of 1	Revision R2.5




Spin Master DongGuan Technical Consultancy Servicing Co. Ltd

Drawing By: Owen Lu	Date: 2014-9-24	Title: Meccanoid Brain-Smart Servo		
Checked By:	Date:	Model NO.		
Approved By:	Date:	Size	Sheet 1 of 1	Revision R2.4