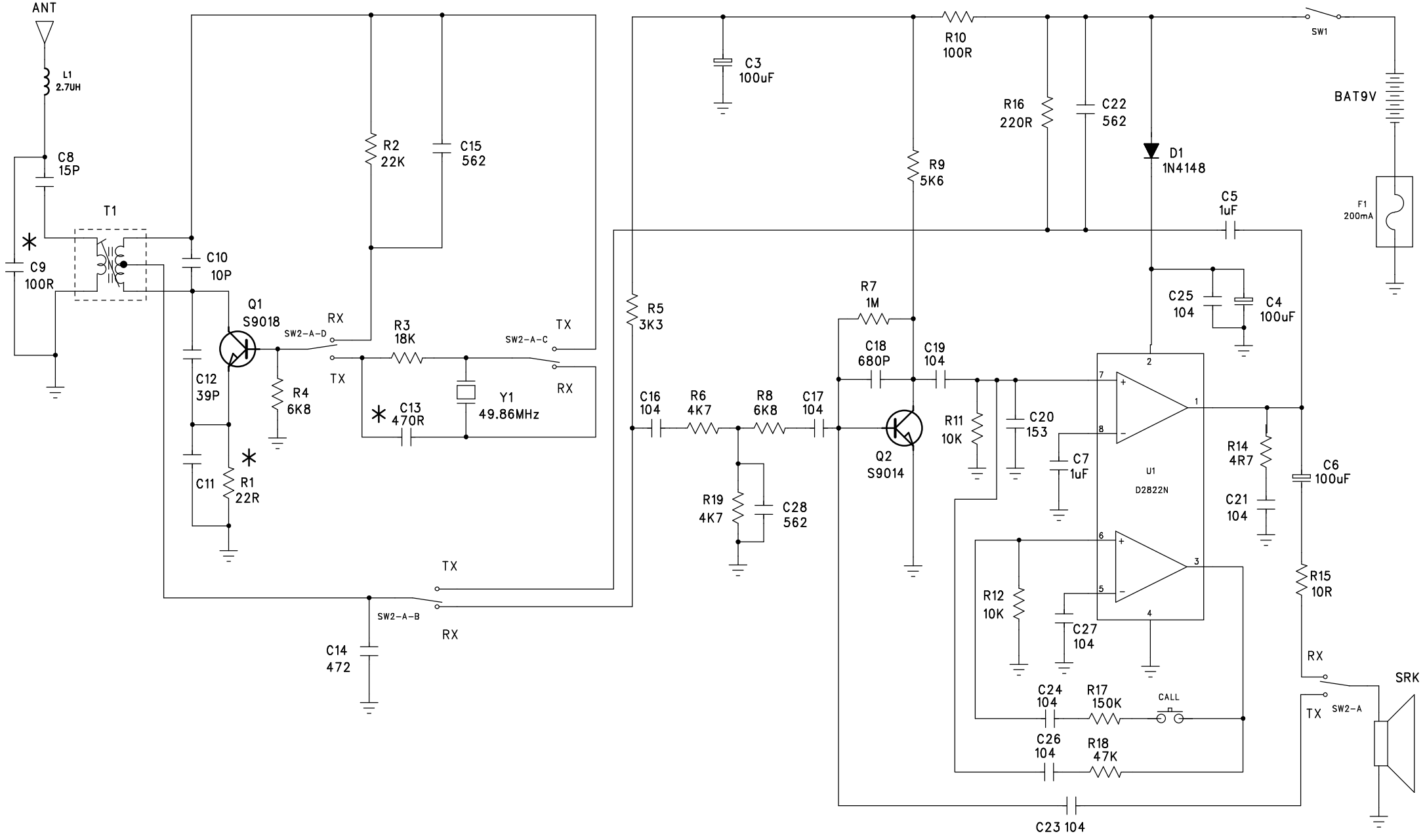


49.860MHZ



COMPANY:			
TITLE:		70156 2013-4-26 (FCC)	
DRAWN		DWG NO:	FILE NAME:
CHECKED		MODEL:	REV: 1.0
		SHEET: 1 OF 1	SIZE:A3