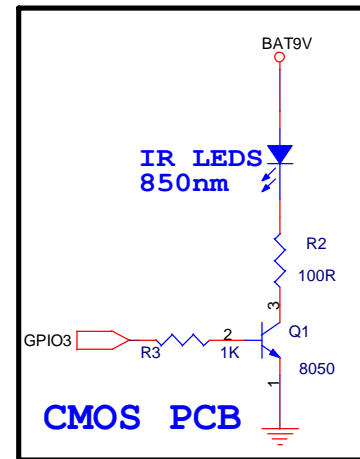


CMOS SENSOR

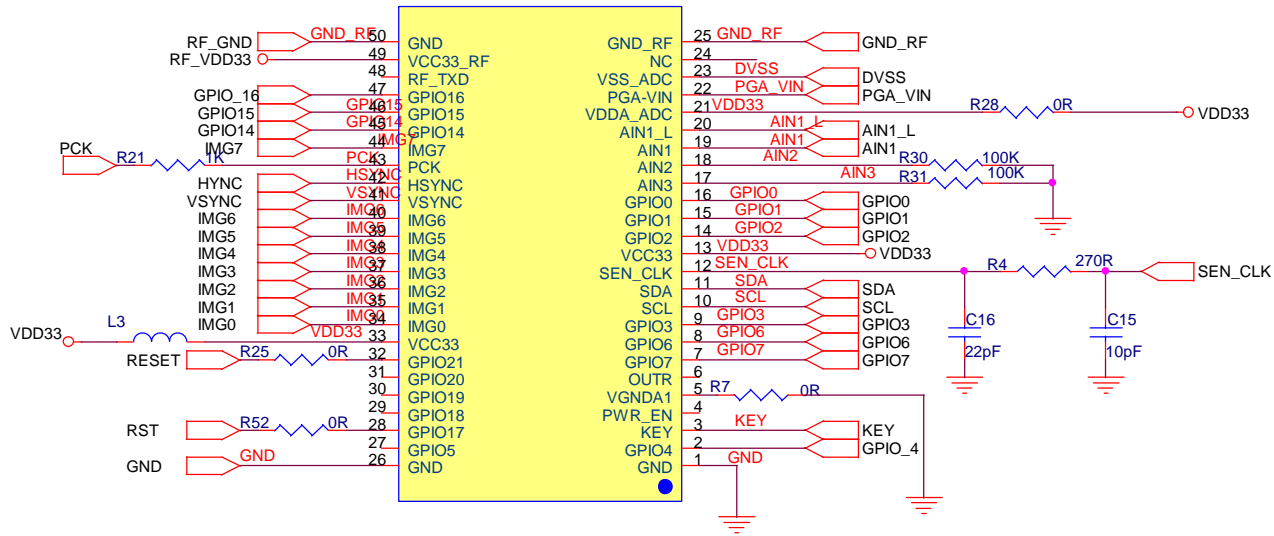
Pitch 0.5*24Pin



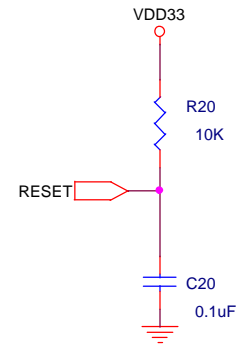
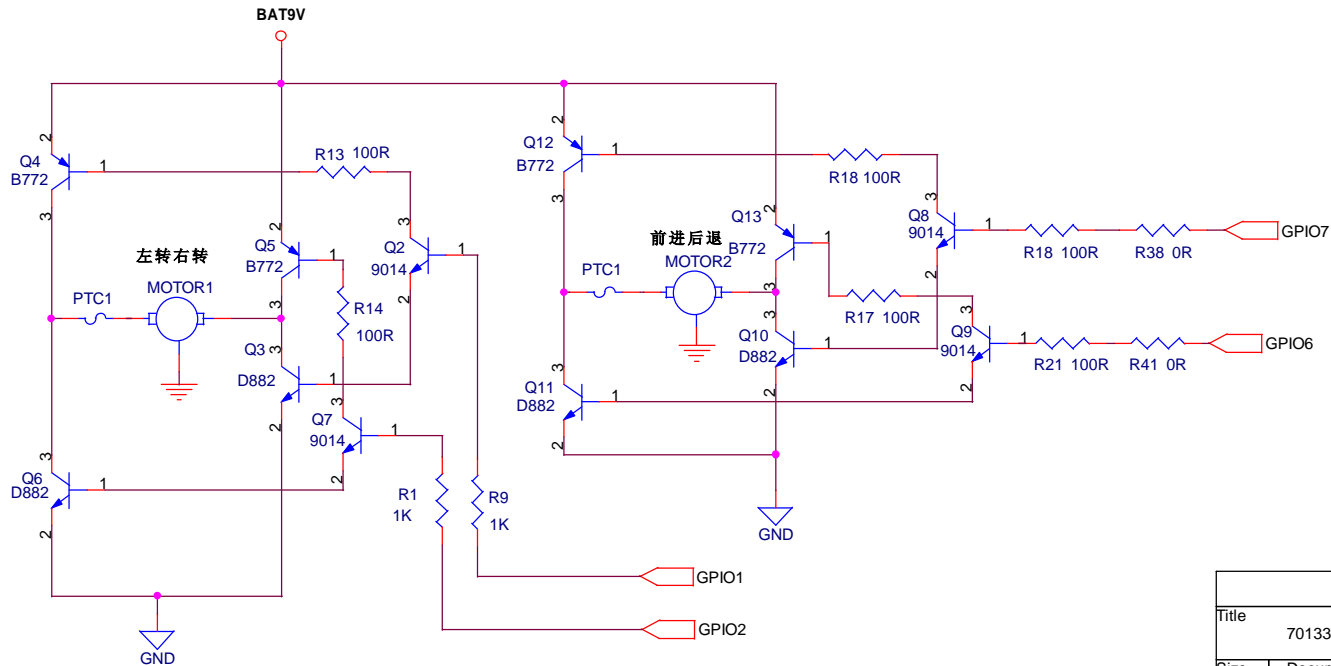
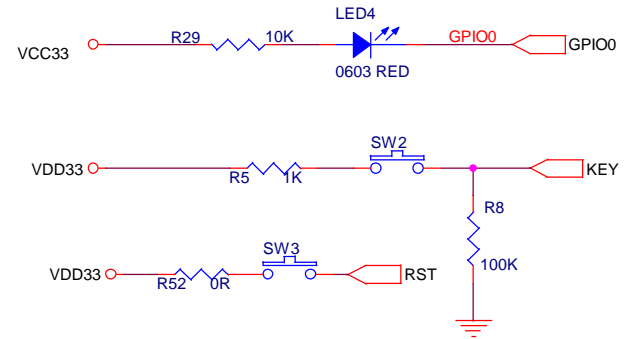
CMOS PCB

Title		
70133 CMOS Sensor & IR LED Sch		
Size	Document Number	Rev
A4	<Doc>	<RevCode>
Date:	Wednesday, July 17, 2013	Sheet 1 of 1

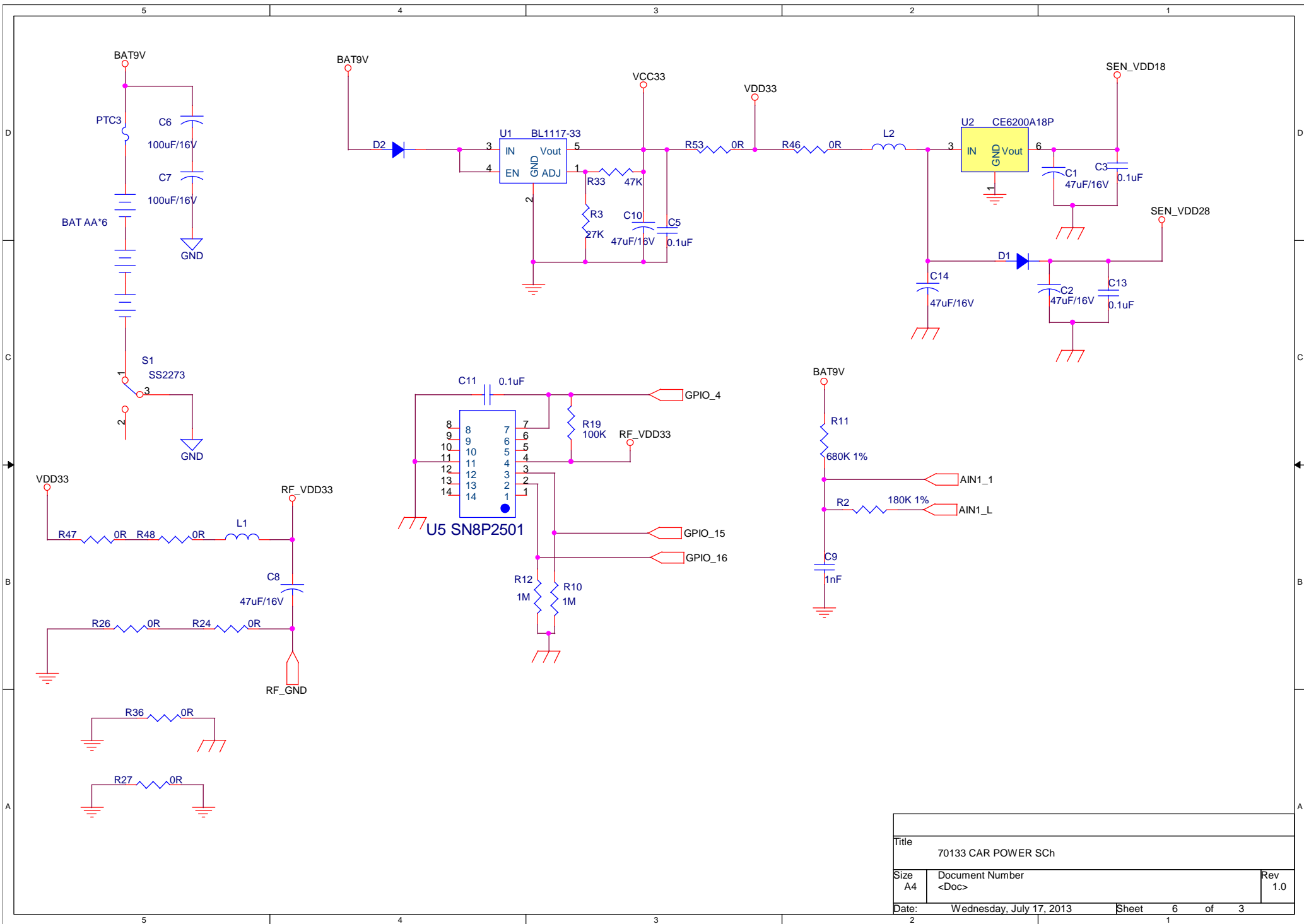
U4



KA-2431-TA2

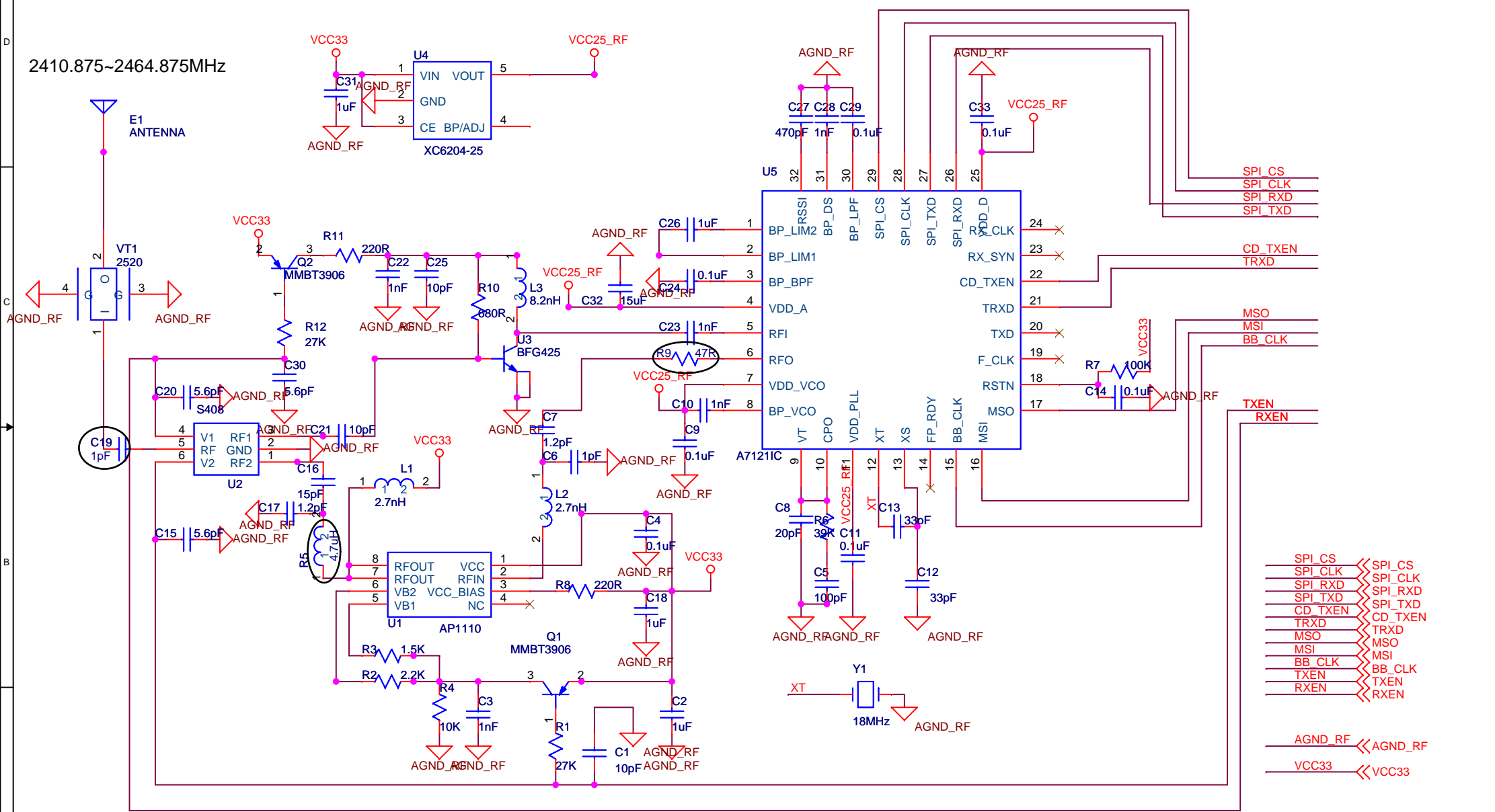


Title		
70133 MCU & 2.4G/Motor Driver		
Size	Document Number	Rev
A4	<Doc>	1.0
Date:	Wednesday, July 17, 2013	Sheet 6 of 4



Title		
70133 CAR POWER SCh		
Size	Document Number	Rev
A4	<Doc>	1.0
Date:	Wednesday, July 17, 2013	Sheet 6 of 3

2410.875~2464.875MHz



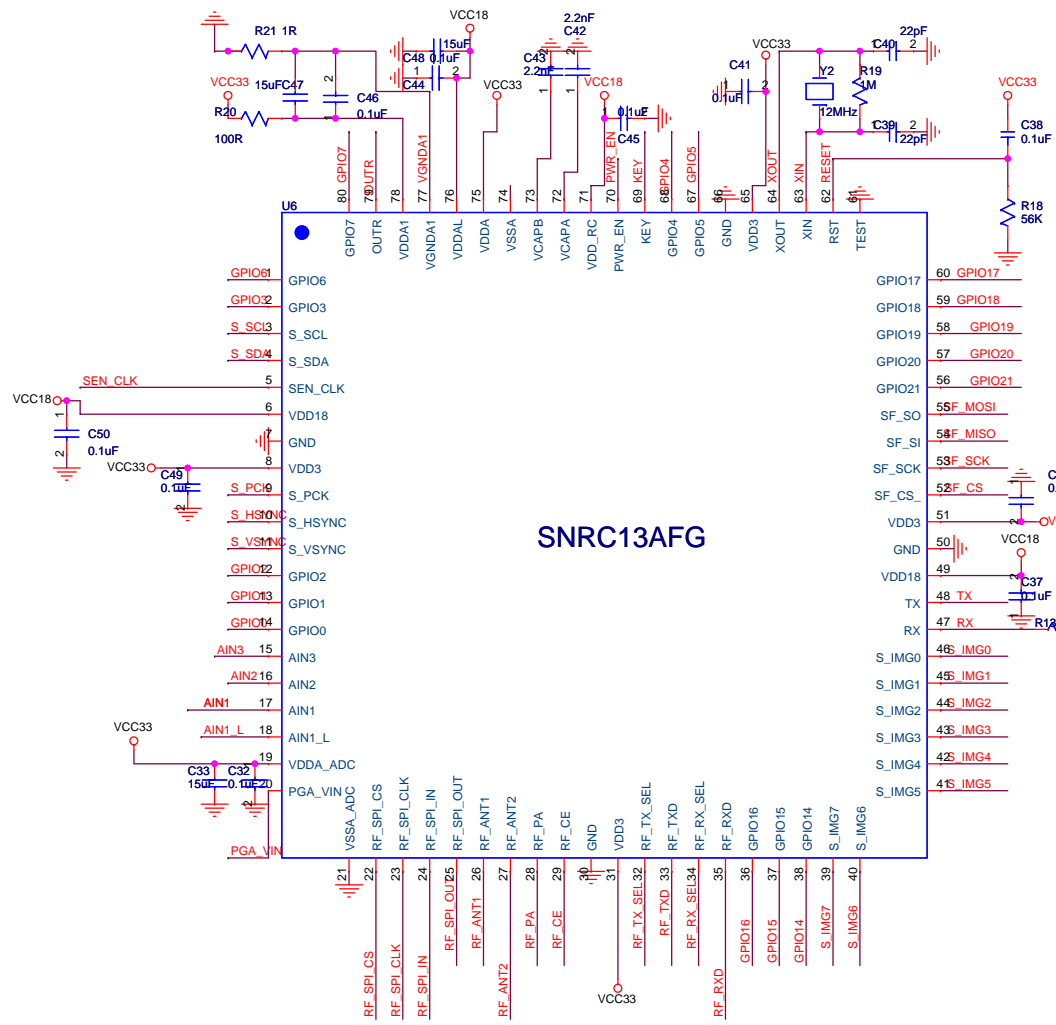
- SPI_CS << SPI_CS
- SPI_CLK << SPI_CLK
- SPI_RXD << SPI_RXD
- SPI_TXD << SPI_TXD
- CD_TXEN << SPI_TXD
- TRXD << TRXD
- MSO << MSO
- MSI << MSI
- BB_CLK << BB_CLK
- TXEN << TXEN
- RXEN << RXEN
- AGND_RF << AGND_RF
- VCC33 << VCC33

KA-2431-RA-V0.1-RF			
Title <Title>			
Size A4	Document Number <Doc>	Rev <RevC>	
Date: Friday, December 21, 2012	Sheet 3	of 3	

J9	
GND RF	1
VCC33 RF	2
RF_TXD	3
GPIO16	4
GPIO15	5
GPIO14	6
S_IMG7	7
S_PCK	8
S_HSYNC	9
S_VSYNC	10
S_IMG6	11
S_IMG5	12
S_IMG4	13
S_IMG3	14
S_IMG2	15
S_IMG1	16
S_IMG0	17
VCC33	18
GPIO21	19
GPIO20	20
GPIO18	21
RESET	22
GPIO5	23
GND	24
GND	25

J25	
GND RF	1
NC	2
VSSA_ADC	3
PGA_VIN	4
VDDA_ADC	5
AIN1_L	6
AIN1	7
AIN2	8
AIN3	9
GPIO0	10
GPIO1	11
GPIO2	12
VCC33	13
SEN_CLK	14
S_SDA	15
S_SCL	16
GPIO3	17
GPIO6	18
GPIO7	19
OUTR	20
VGND_A1	21
PWR_EN	22
KEY	23
GPIO4	24
GND	25

J11	
GND RF	1
NC	2
VSSA_ADC	3
PGA_VIN	4
VDDA_ADC	5
AIN1_L	6
AIN1	7
AIN2	8
AIN3	9
GPIO0	10
GPIO1	11
GPIO2	12
VCC33	13
SEN_CLK	14
S_SDA	15
S_SCL	16
GPIO3	17
GPIO6	18
GPIO7	19
OUTR	20
VGND_A1	21
PWR_EN	22
KEY	23
GPIO4	24
GND	25



SNRC13AFG

SPI CS	RF SPI CS	SPI CS
SPI CLK	RF SPI CLK	SPI CLK
SPI RXD	RF SPI IN	SPI RXD
SPI TXD	RF SPI OUT	SPI TXD
CD_TXEN	RF ANT2	CD_TXEN
TRXD	RF RXD	TRXD
MSO	RF CE	MSO
MSI	RF PA	MSI
BB_CLK	RF ANT1	BB_CLK
TXEN	RF TX_SEL	TXEN
RXEN	RF RX_SEL	RXEN

