

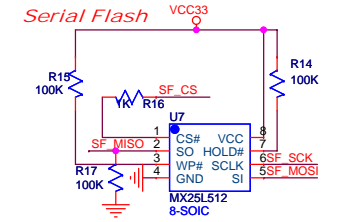
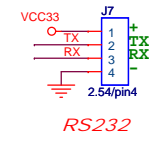
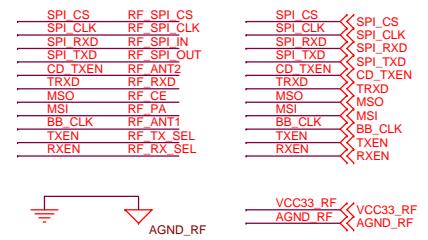
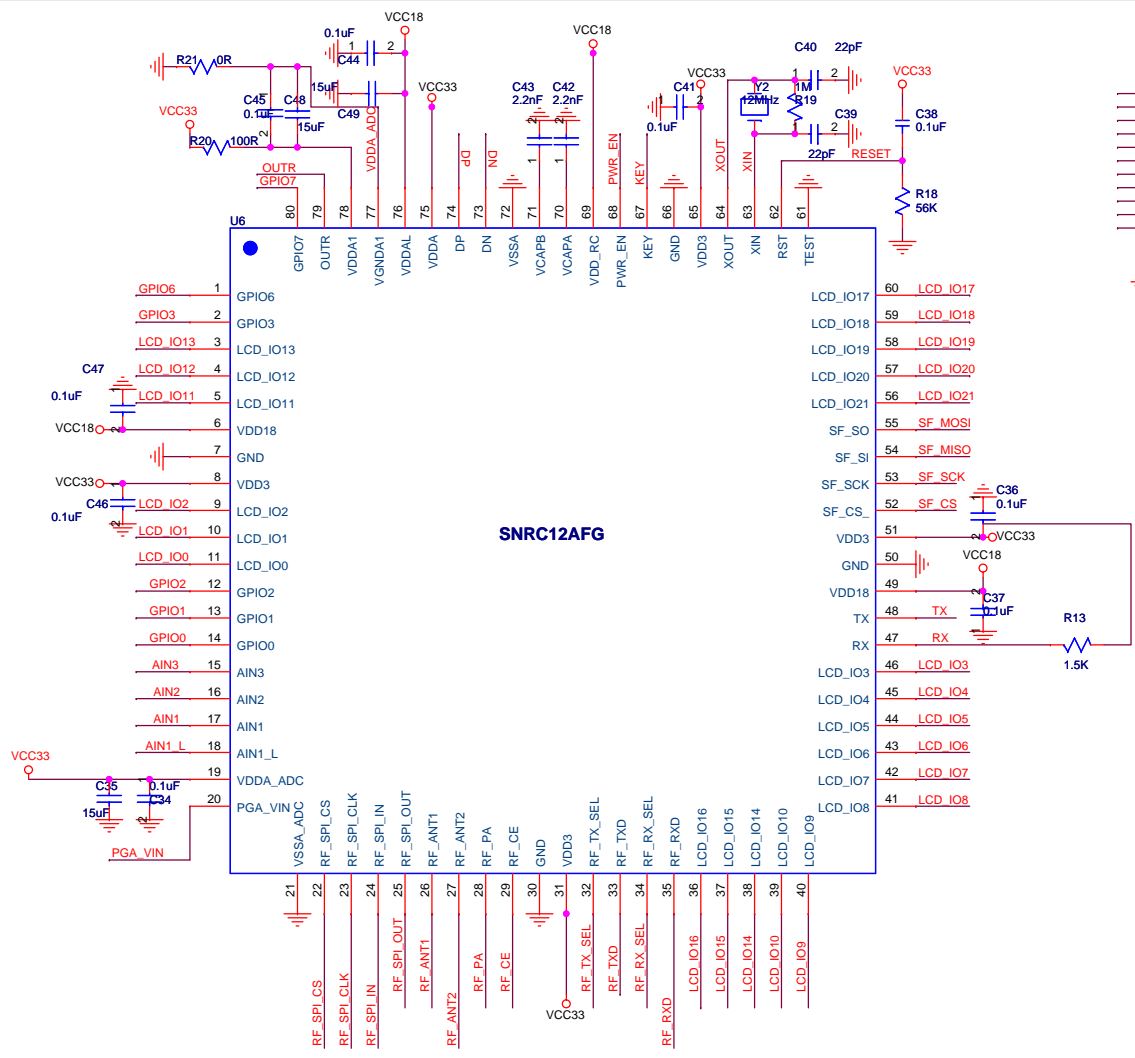
数据线穿过磁环

TFT Connector

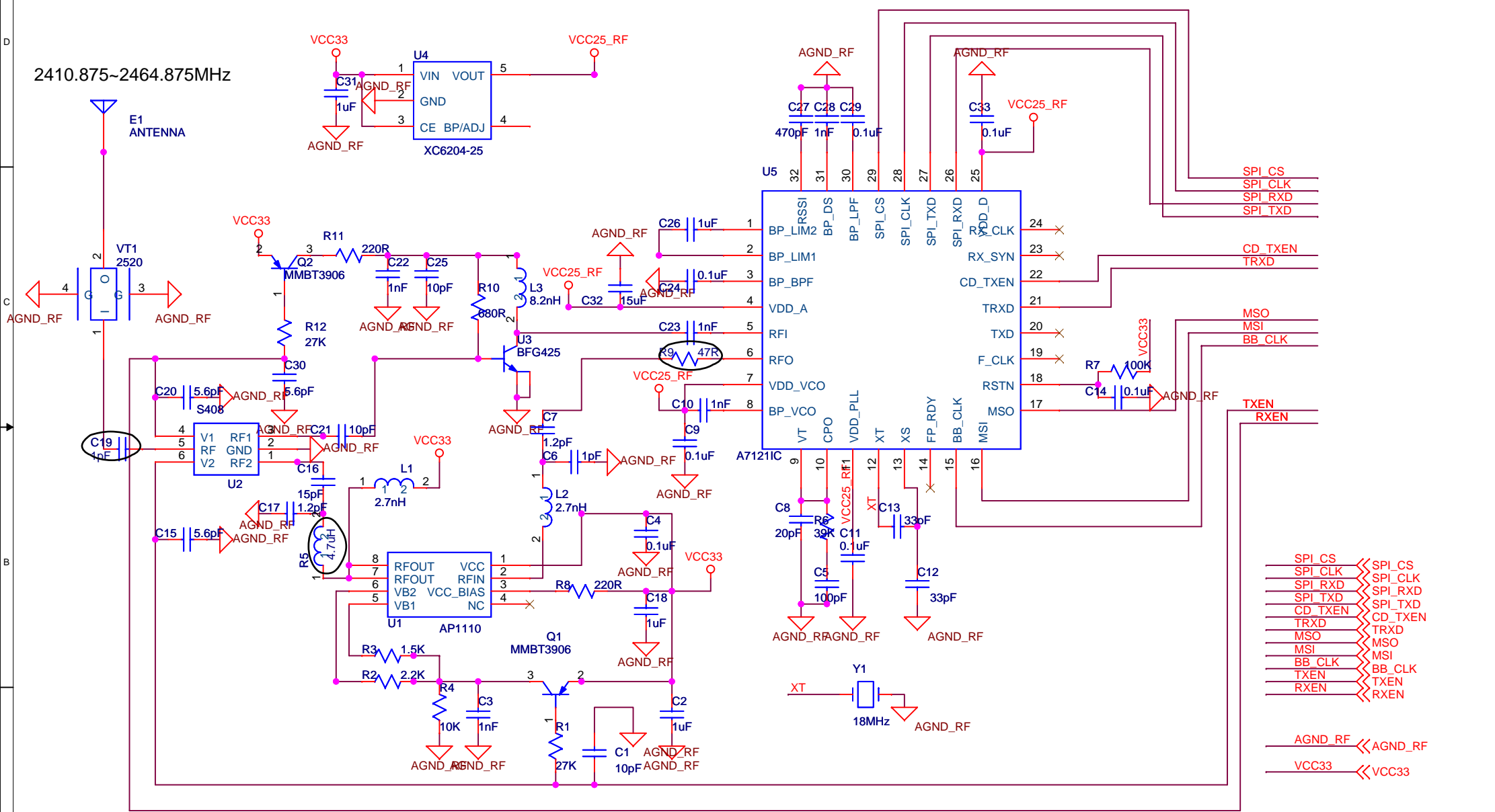
Title		
70133 REMOTE MCU&2.4G Module/TFT		
Size	Document Number	Rev
A4		A
Date:	Wednesday, July 17, 2013	Sheet 1 of 1

GND_RF	1
VCC33_RF	2
RF_TXD	3
LCD_IO16	4
LCD_IO15	4
LCD_IO14	6
LCD_IO10	7
LCD_IO2	8
LCD_IO1	9
LCD_IO0	10
LCD_IO9	11
LCD_IO8	12
LCD_IO7	13
LCD_IO6	14
LCD_IO5	15
LCD_IO4	16
LCD_IO3	17
VCC33	18
LCD_IO21	19
LCD_IO20	20
LCD_IO19	21
LCD_IO18	22
RESET	23
KEY	24
GND	25

GND_RF	1
NC	2
VSSA_ADC3	3
PGA_VIN	4
VDDA_ADC5	5
AIN1_L	6
AIN1	7
AIN2	8
AIN3	9
GPIO0	10
GPIO1	11
GPIO2	12
VCC33	13
LCD_IO114	14
LCD_IO1215	15
LCD_IO1316	16
LCD_IO3	17
LCD_IO6	18
LCD_IO7	19
OUTR	20
DP	21
DN	22
VCC18	23
PWR_EN	24
GND	25



2410.875~2464.875MHz



- SPI\_CS << SPI\_CS
- SPI\_CLK << SPI\_CLK
- SPI\_RXD << SPI\_RXD
- SPI\_TXD << SPI\_TXD
- CD\_TXEN << SPI\_TXD
- TRXD << TRXD
- MSO << MSO
- MSI << MSI
- BB\_CLK << BB\_CLK
- TXEN << TXEN
- RXEN << RXEN
- AGND\_RF << AGND\_RF
- VCC33 << VCC33

KA-2431-RA-V0.1-RF			
Title <Title>			
Size A4	Document Number <Doc>		Rev <RevC>
Date: Friday, December 21, 2012	Sheet 3	of 3	