

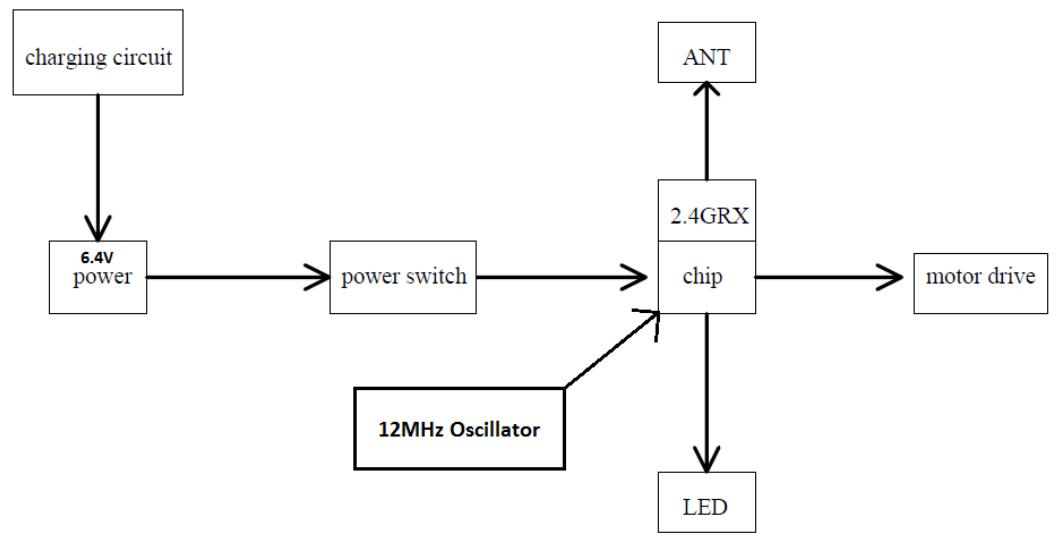
1 2 3 4

D

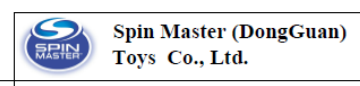
C

B

A



67856RXV1- block diagram



Drawing By: Jack Xu	Date: 19/01/2021	Title: 67856RXV1- block diagram			
Checked By:	Date:	Model NO:			
Approved By:	Date:	Size	A4	Sheet 1 of 1	Revision V1

1 2 3 4