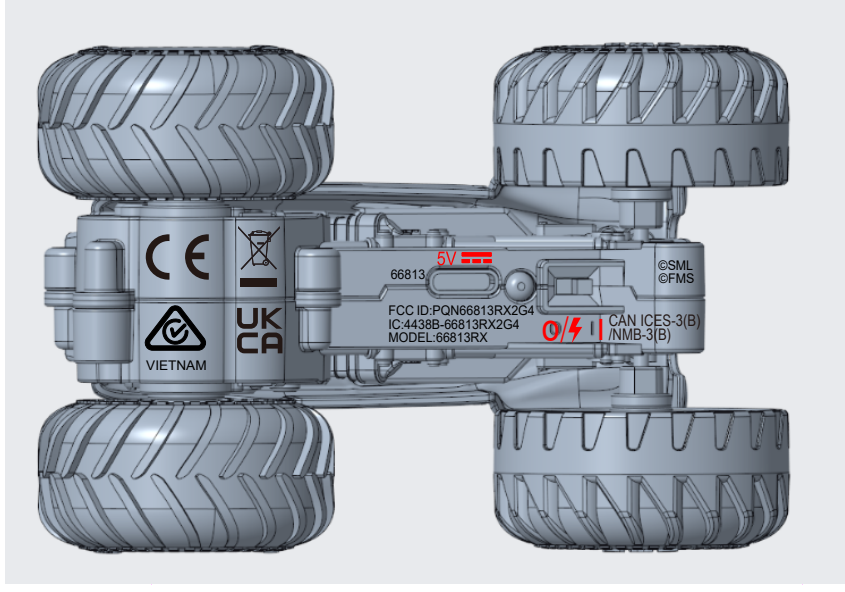


6MM | CE | 8MM | 66813 | 2.3MM | 5V | MADE IN VIETNAM | 1.3MM | 0/⚡ | I

6.1MM | 8MM | UK CA | 6MM | FCC ID: PQN66813RX2G4 | IC: 4438B-66813RX2G4 | MODEL: 66813RX | 1.3MM | @SML @FMS | 1.3MM



**REVIEWED**  
By William Halushak at 10:48 am, May 23, 2023

