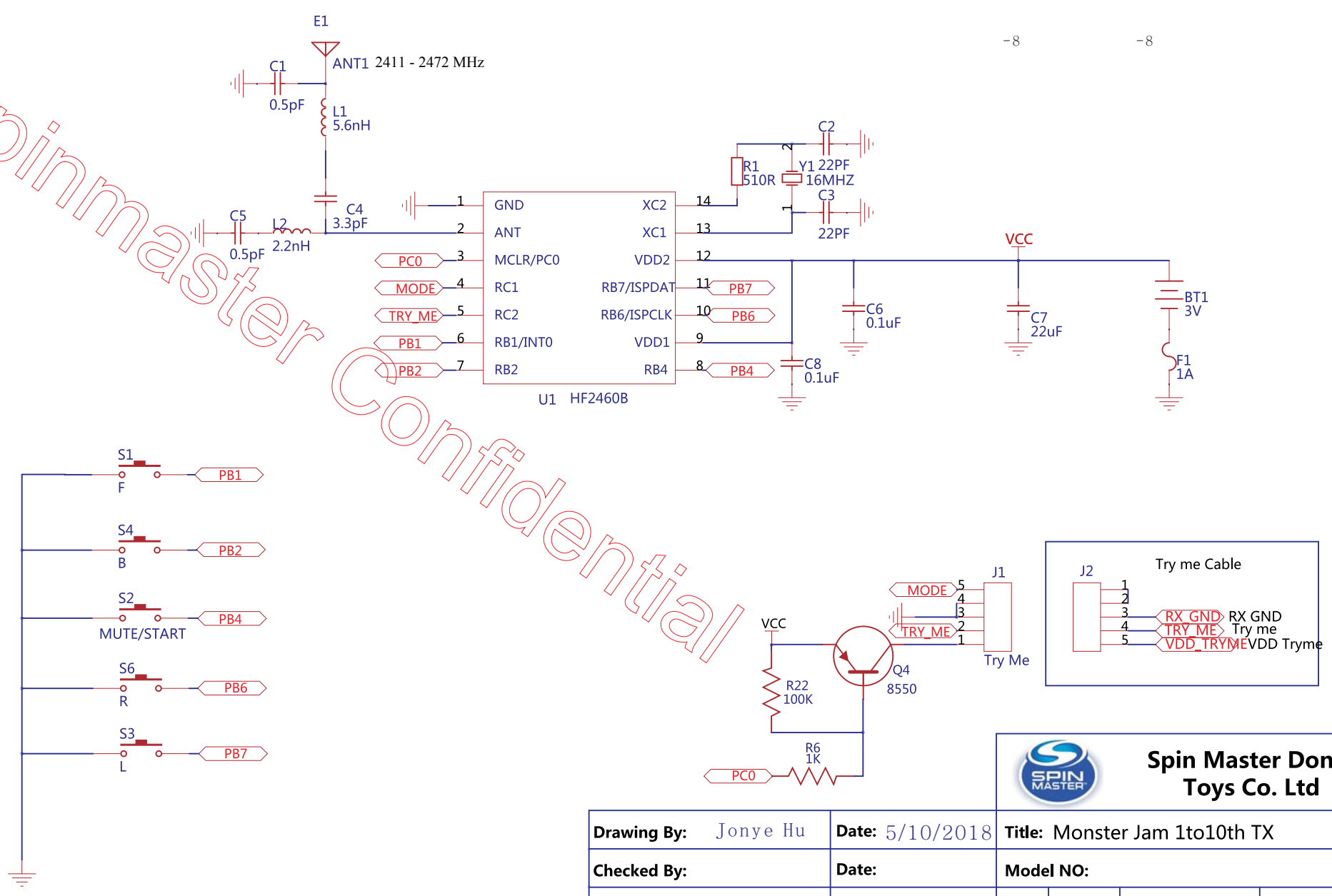


Spinmaster Confidential



|                             |                        |                                      |                     |                     |
|-----------------------------|------------------------|--------------------------------------|---------------------|---------------------|
| <b>Drawing By:</b> Jonye Hu | <b>Date:</b> 5/10/2018 | <b>Title:</b> Monster Jam 1to10th TX |                     |                     |
| <b>Checked By:</b>          | <b>Date:</b>           | <b>Model NO:</b>                     |                     |                     |
| <b>Approved By:</b>         | <b>Date:</b>           | <b>Size</b> A4                       | <b>Sheet</b> 2 of 3 | <b>Revision</b> R01 |