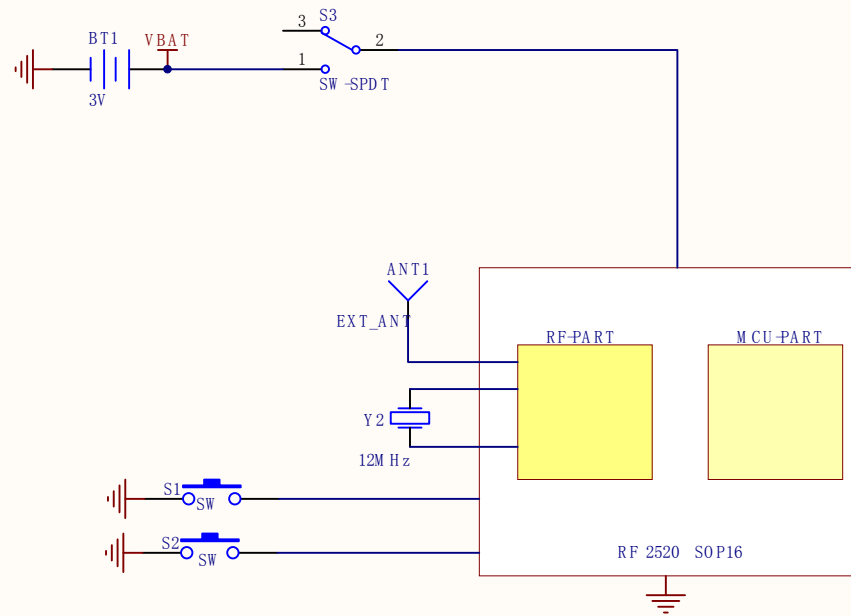


Title		
Size	Number	Revision
A4		
Date:	2019/7/26	Sheet of
File:	FA艾文档\2C1906TIV1.0 SM60901 遥控器 PCB	1/1



Title		
Size	Number	Revision
A 4		
Date:	2019/5/16	Sheet of
File:	F:\艾文档\Spin master\狗仔车\东软方案\射频方案\RF架图.SCH	