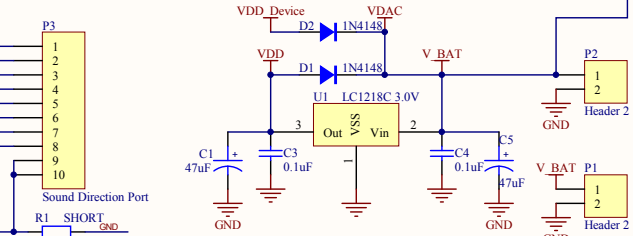
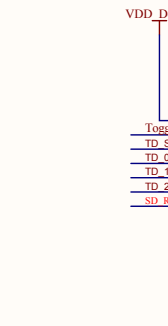
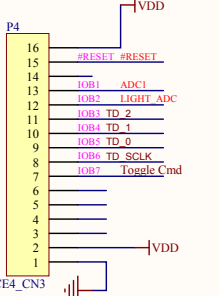
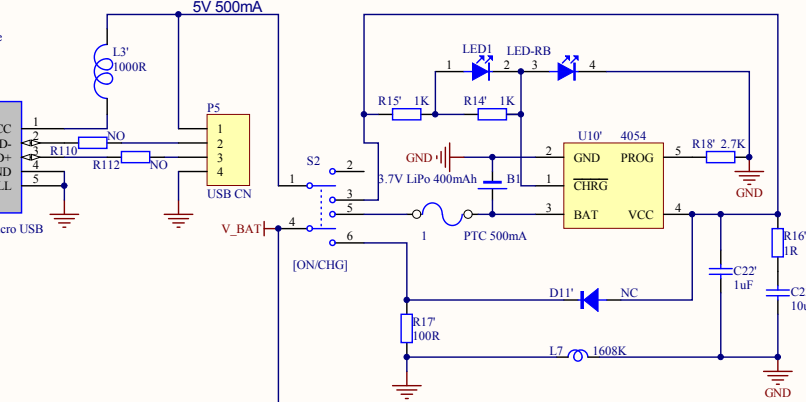
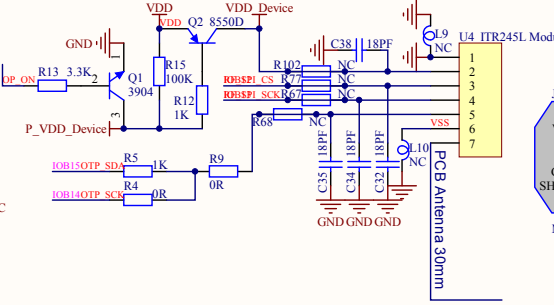
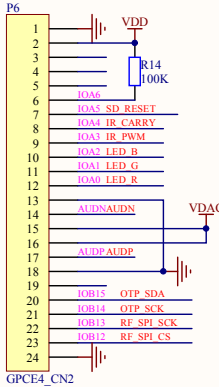
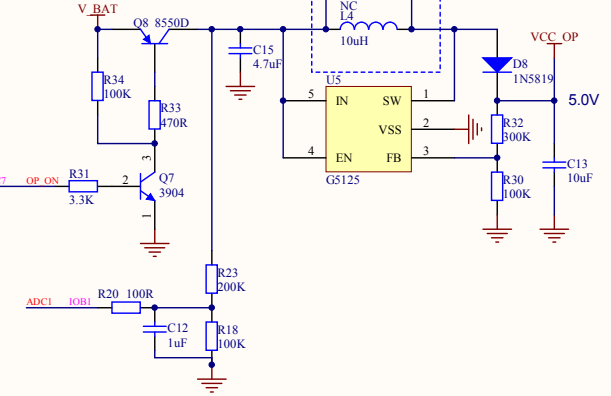
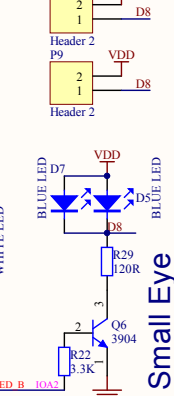
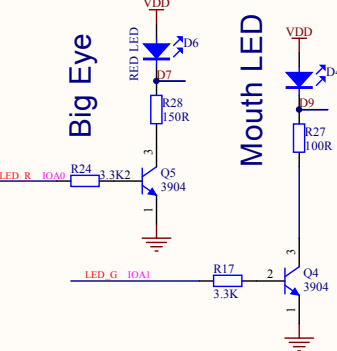
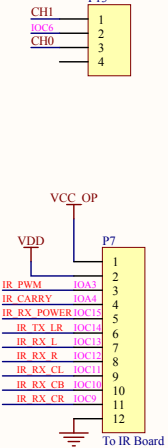
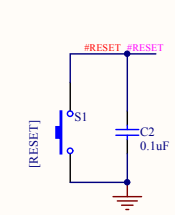
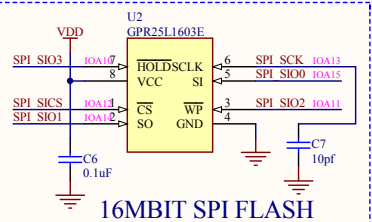
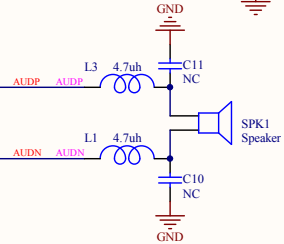
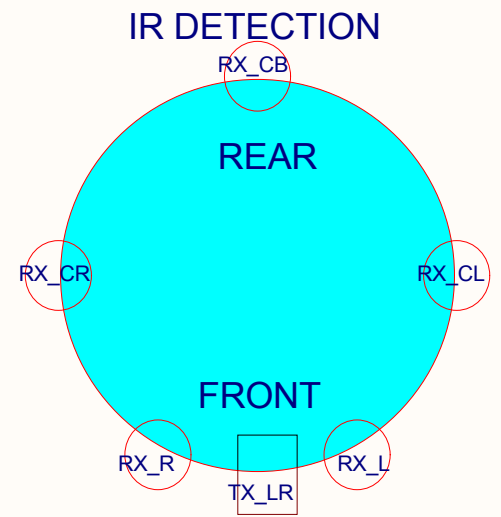
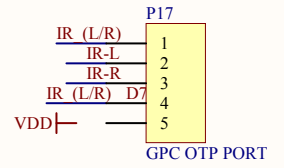
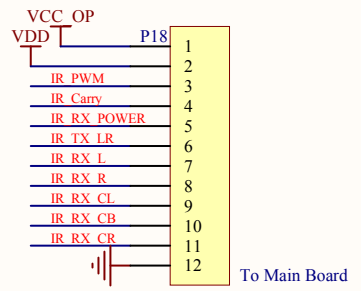
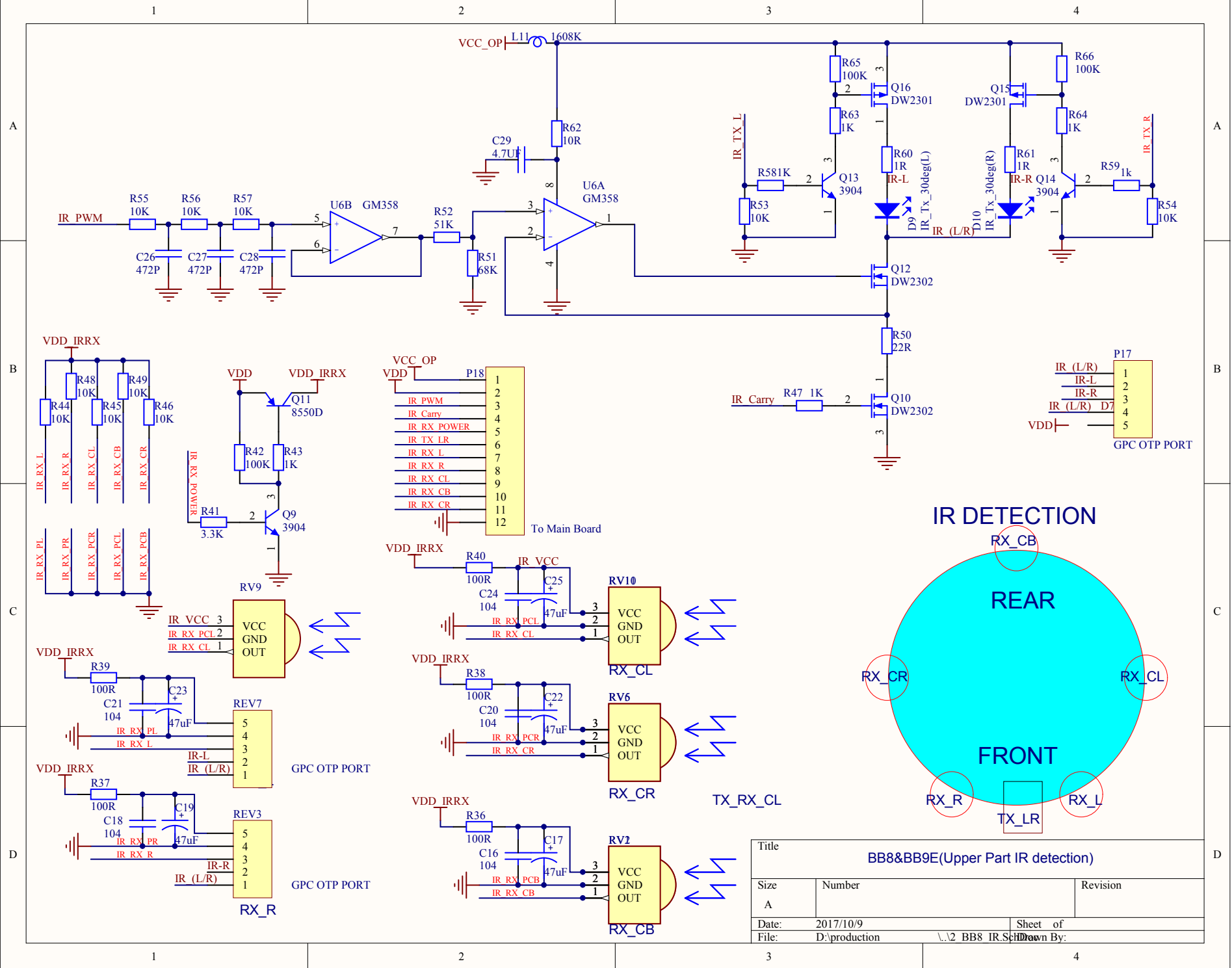


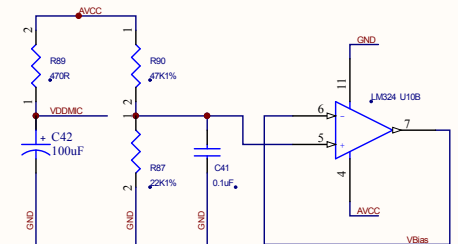
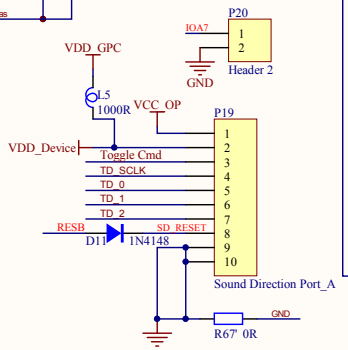
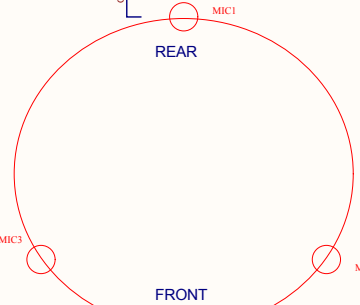
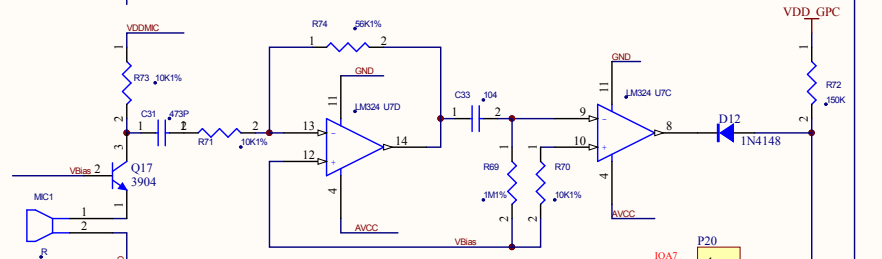
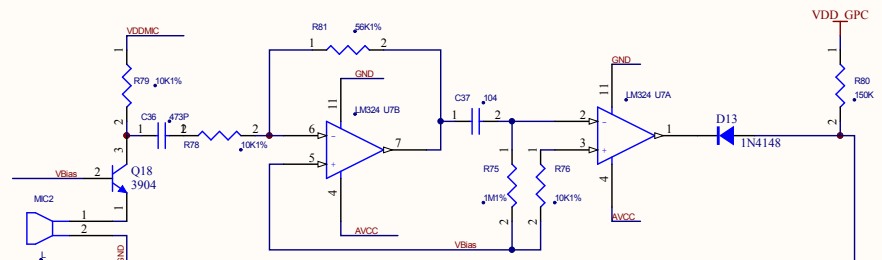
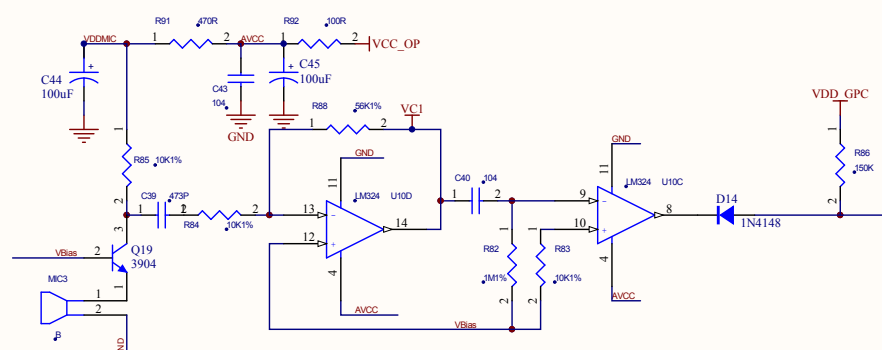
**VR LED**



Title: <b>BB8&amp;BB9E (UPPER PART)</b>		
Size: B	Number:	Revision:
Date: 2017/10/9	Sheet of:	
File: D:\production	Sheet of:	



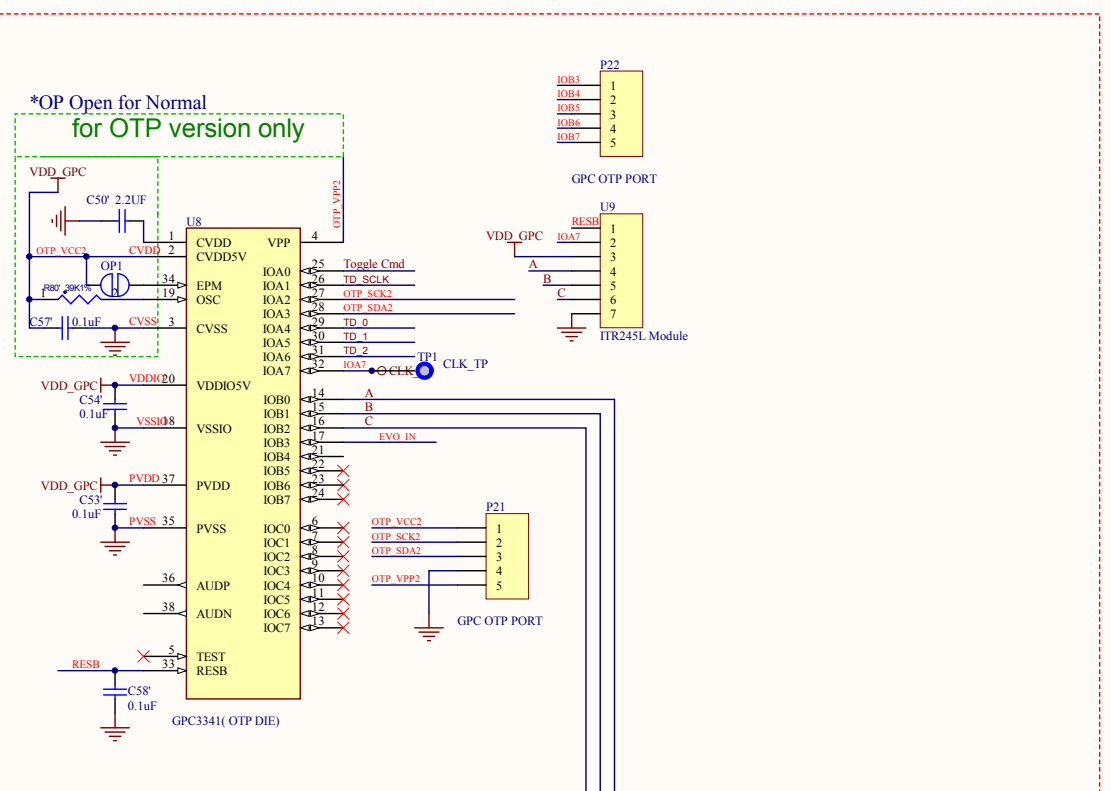
Title		
BB8&BB9E(Upper Part IR detection)		
Size	Number	Revision
A		
Date:	2017/10/9	Sheet of
File:	D:\production	\\.\2 BB8 IR_SchDown By:



UC21

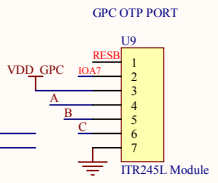
CVSS	1
IOB3	2
IOB4	3
IOB5	4
IOB6	5
IOB7	6
RESB	7
IOA7	8
CVDD	9
A	10
B	11
C	12
EVOIN	13
	14
	15
	16

GPCE4\_CN3



P22

IOB3	1
IOB4	2
IOB5	3
IOB6	4
IOB7	5



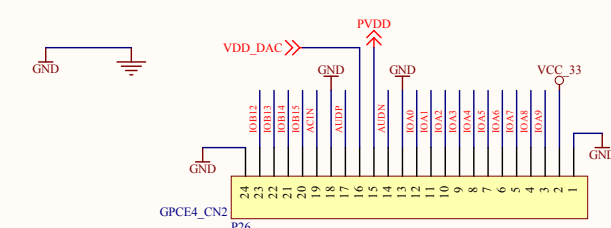
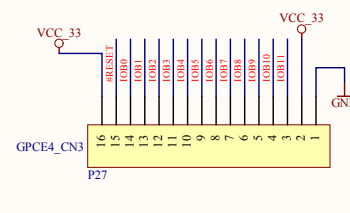
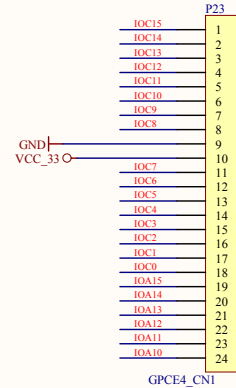
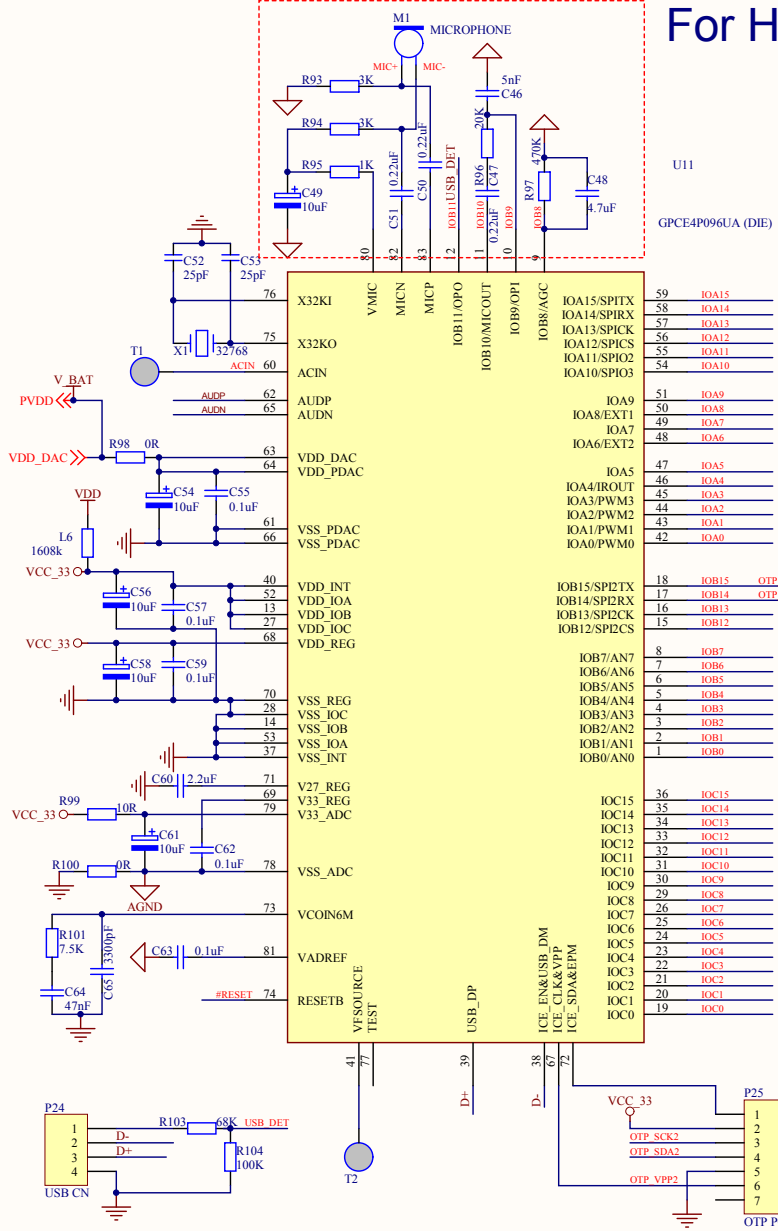
P21

OTP_VCC2	1
OTP_SCK2	2
OTP_SDA2	3
OTP_VPP2	4
	5

Title BB8 & BB9 Sound Direction Detect Module		
Size B	Number	Revision
Date: 2017/10/9	Sheet of	
File: D:\production	Sheet No.:	BB8 MIC

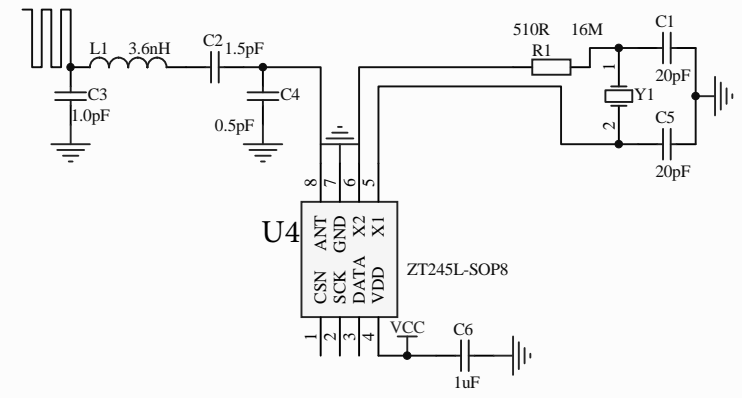
For Head only

# MCU CORE Board



Title		
BB8&BB9E_GPC4TOP PCBA		
Size	Number	Revision
B		
Date:	2017/10/9	Sheet of
File:	D:\production	\.7 BB8_GPC4TOP.SchDoc

2415-2465MHz



Title		
<b>ITR245L SCH-V1.21</b>		
Size	Number	Revision
A4		
Date:	2016-11-16	Sheet of
File:	I:\copy2\...\ITR245L V1.22.SchDoc	Drawn By: