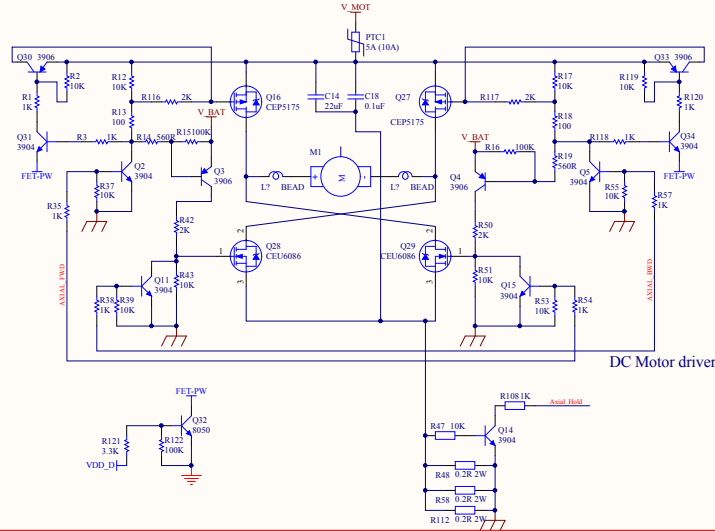
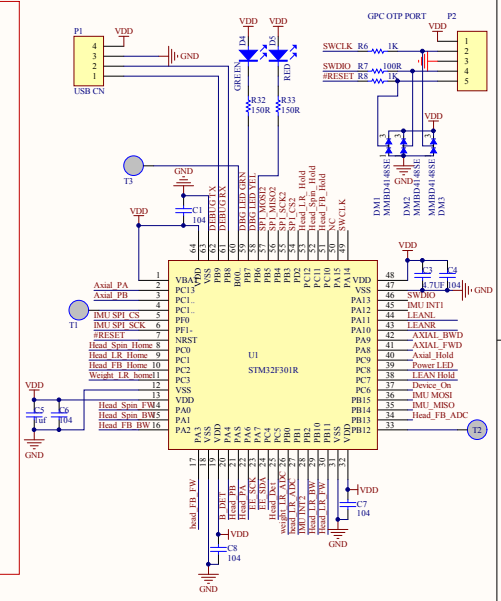
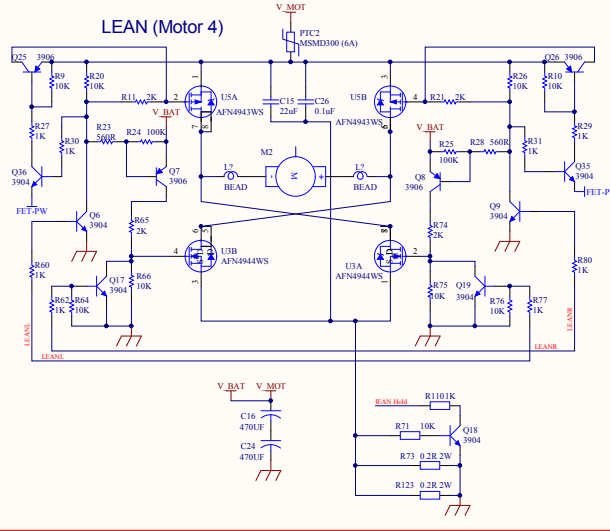


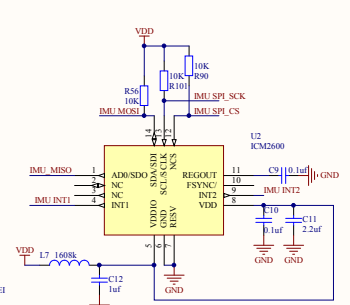
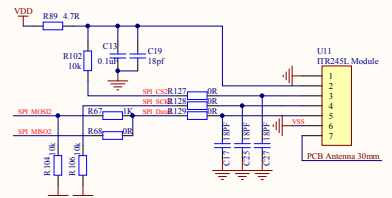
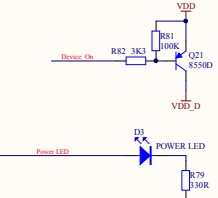
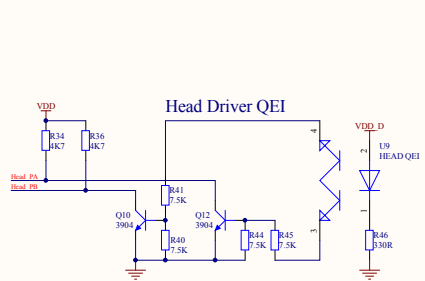
Axial Driver (Motor 5)



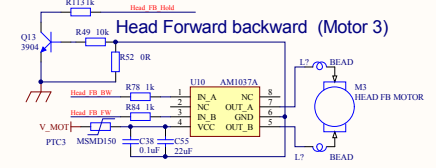
LEAN (Motor 4)



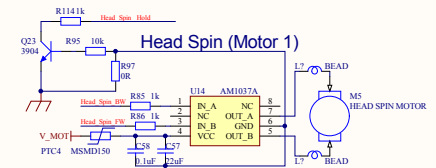
Head Driver QE1



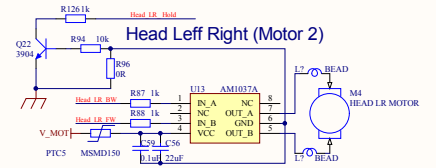
Head Forward backward (Motor 3)



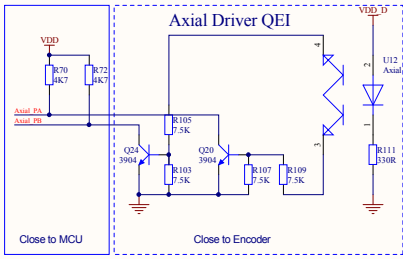
Head Spin (Motor 1)



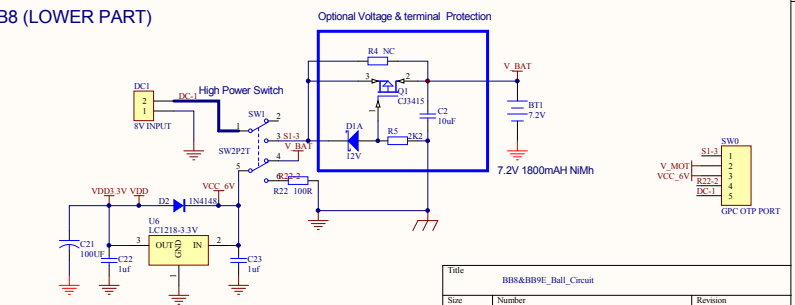
Head Left Right (Motor 2)



Axial Driver QE1

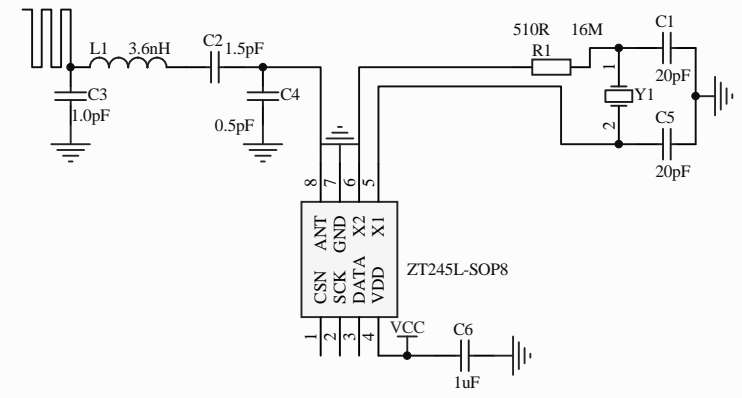


BB8 (LOWER PART)



Title	Number	Revision
BB8&BB9E_Bat1_Circuit		
Size	C	
Date	2017/10/9	Sheet of
File	D:\production	Drawn by

2415-2465MHz



Title		
ITR245L SCH-V1.21		
Size	Number	Revision
A4		
Date:	2016-11-16	Sheet of
File:	I:\copy2\...\ITR245L V1.22.SchDoc	Drawn By: