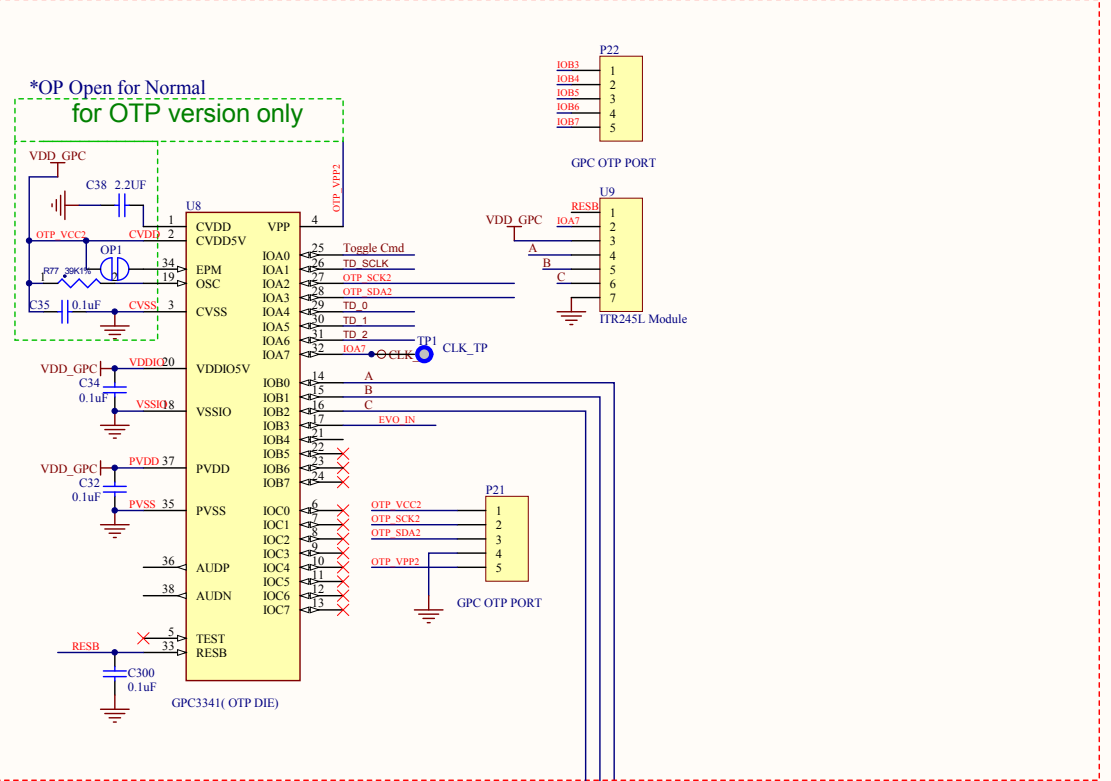
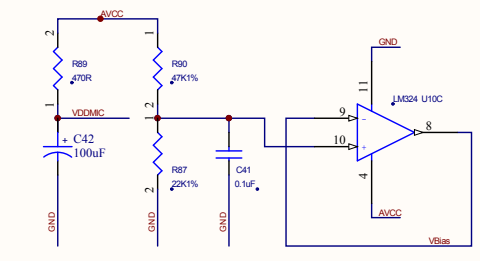
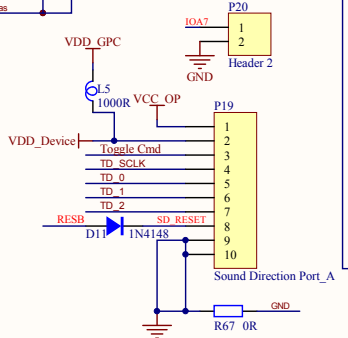
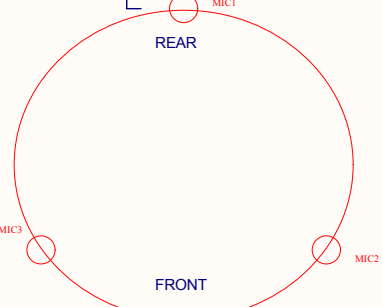
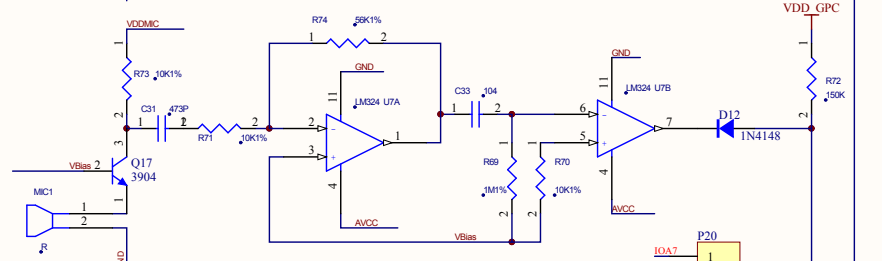
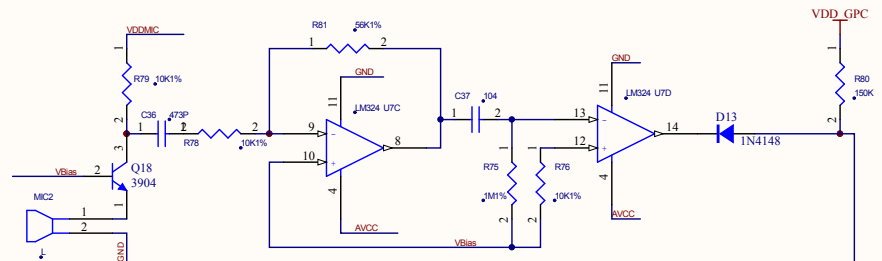
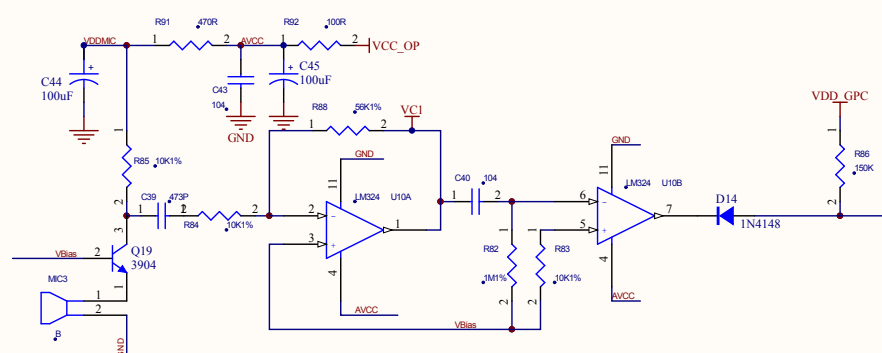


Title: BB8 (UPPER PART)		
Size: B	Number:	Revision:
Date: 2017/5/12	Sheet of:	
File: E:\production\U1\BB8 UPPER part\BB8.DOC	Sheet of:	



UC21

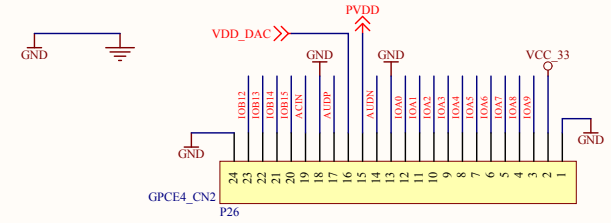
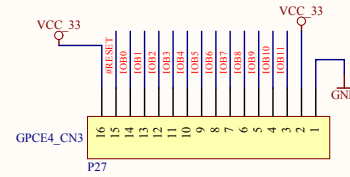
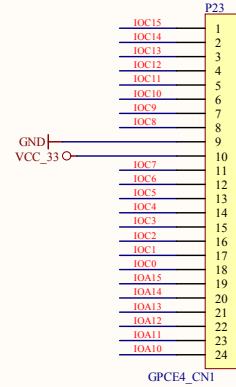
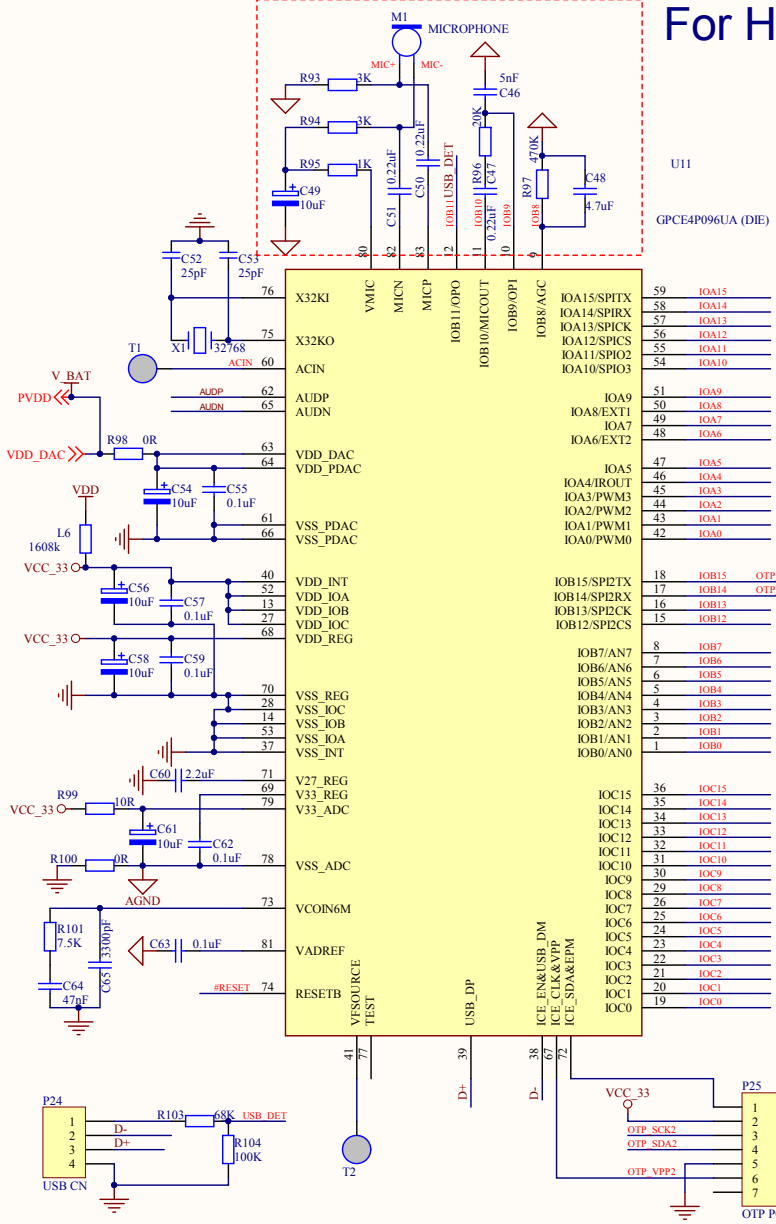
1	CVSS
2	IOB3
3	IOB4
4	IOB5
5	IOB6
6	IOB7
7	RESB
8	IOA7
9	CVDD
10	A
11	B
12	C
13	EVOIN
14	
15	
16	

GPC4_CN3

Title		
BB8 (Sound Direction Detect Module)		
Size	Number	Revision
B		
Date:	2017/5/12	Sheet of
File:	E:\production	\3 BB8 MIC.Sch Drawn By:

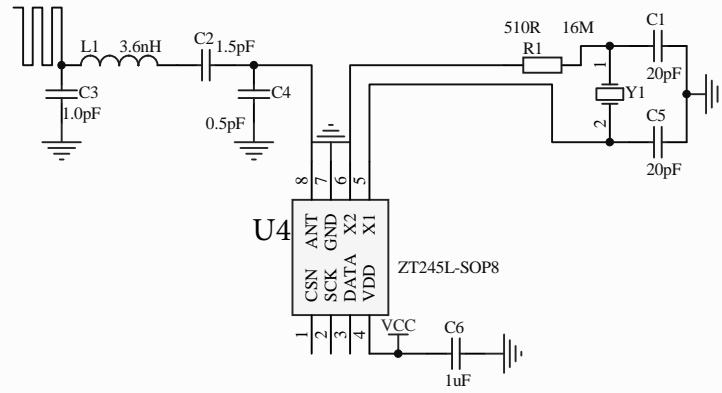
For Head only

MCU CORE Board



Title		
GPCE0TOP PCBA		
Size	Number	Revision
B		
Date:	2017/5/12	Sheet of
File:	E:\production	_7 BB8 GPCE4

2418-2461MHz



Title		
ITR245L SCH-V1.21		
Size	Number	Revision
A4		
Date:	2016-11-16	Sheet of
File:	I:\copy2\...\ITR245L V1.22.SchDoc	Drawn By: