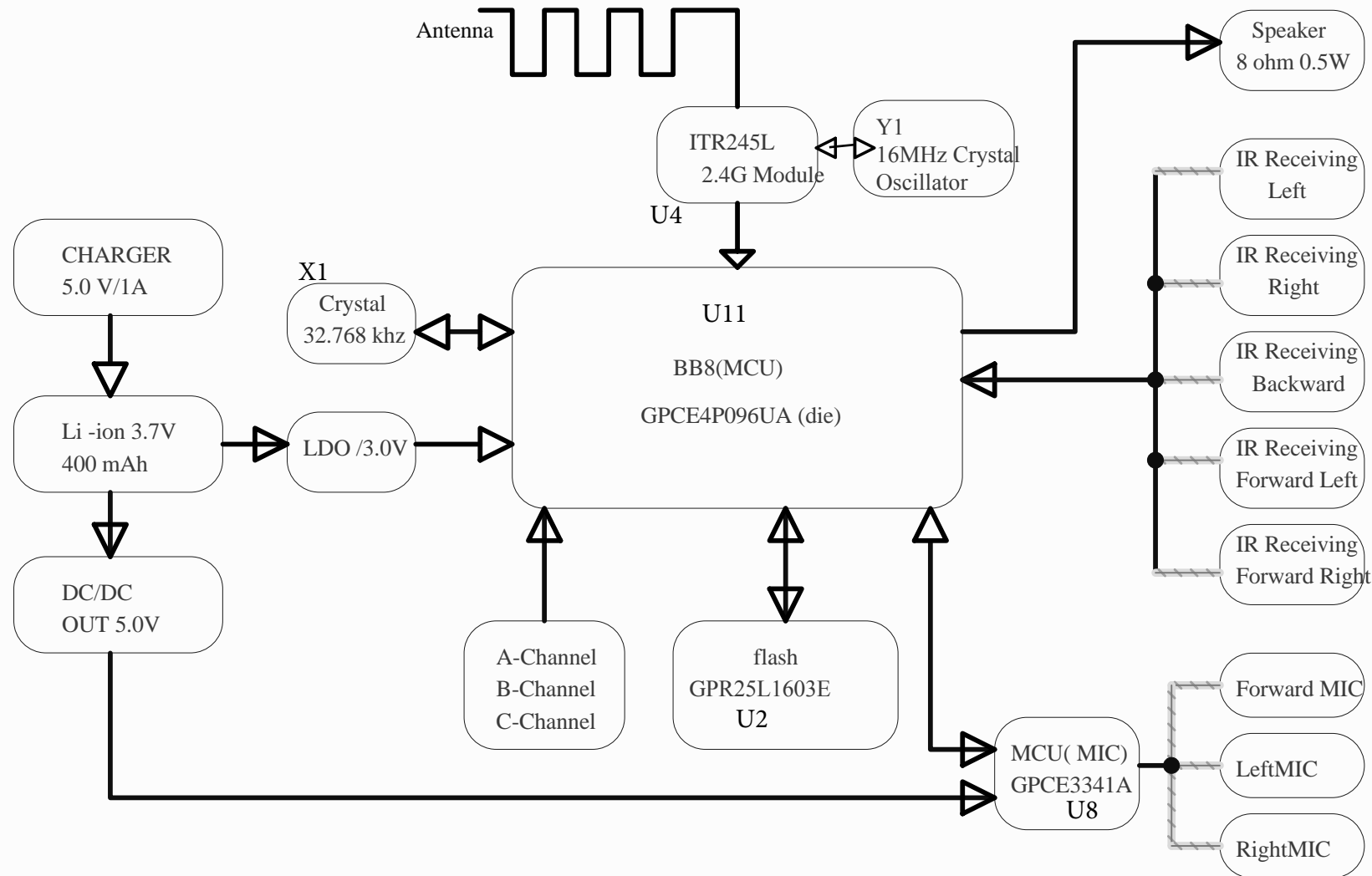


2418-2461MHz



Title			BB8-Head-Board drawing		
Size	Number		Revision		
A4					
Date:	2017/5/21		Sheet of		
File:	E:\production生產資料\BB8-Head-Board\BB8-Head-Board.dwg				

## Block Diagram

