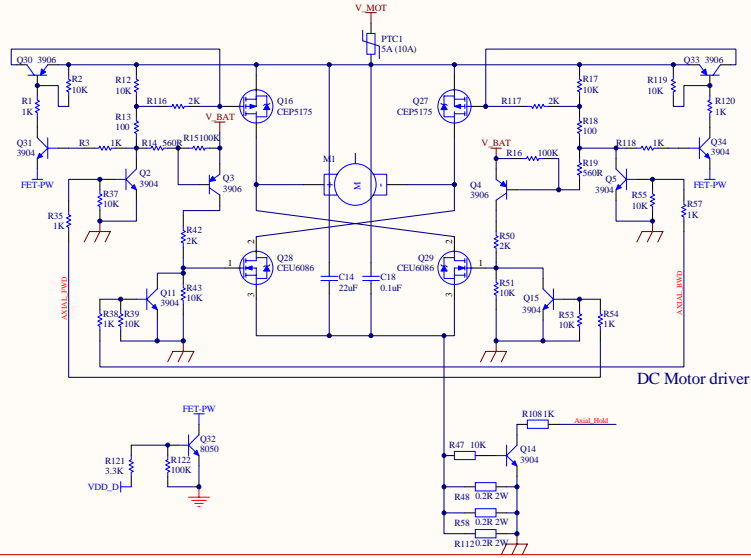
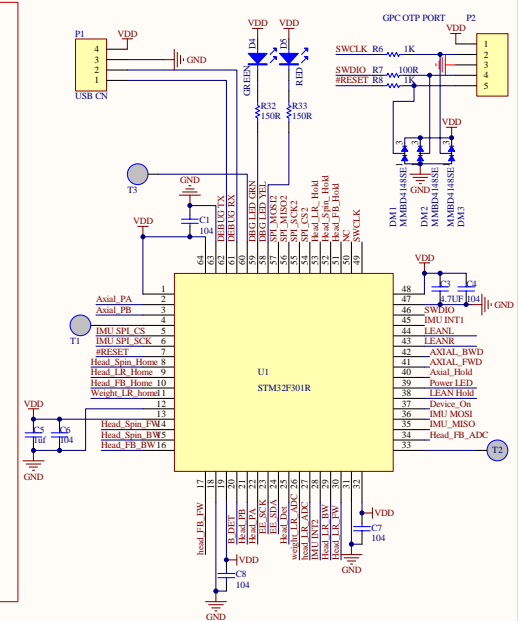
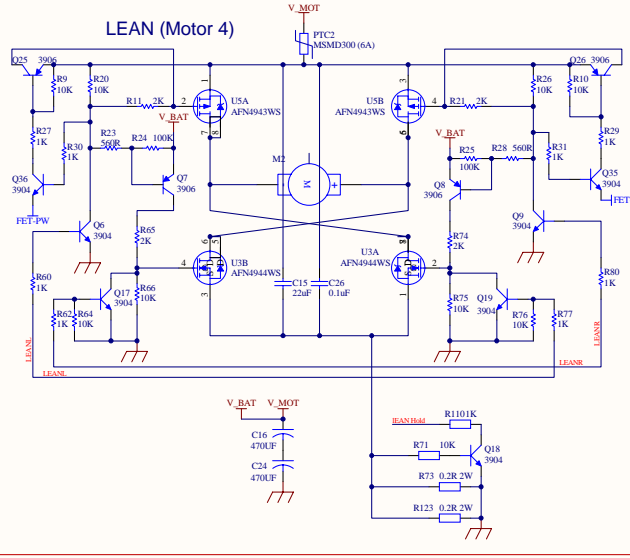


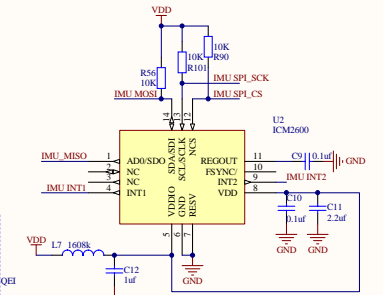
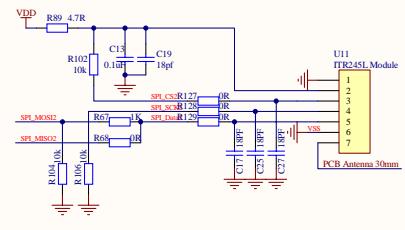
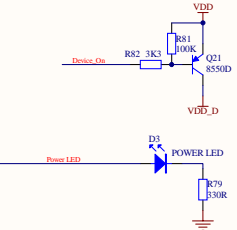
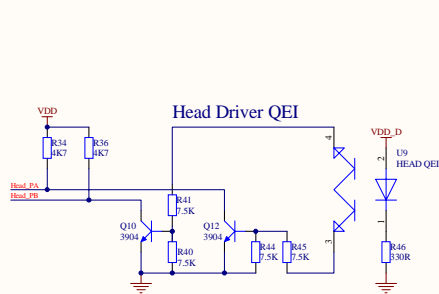
Axial Driver (Motor 5)



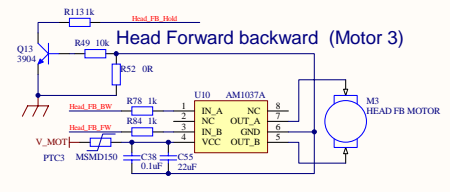
LEAN (Motor 4)



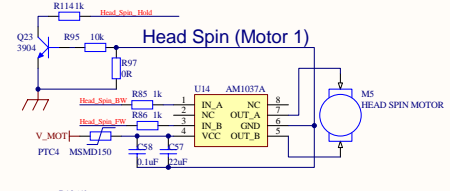
Head Driver QE1



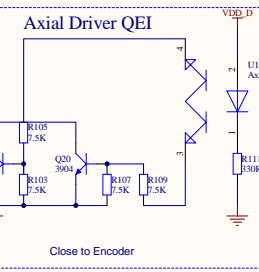
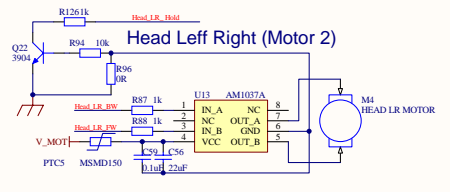
Head Forward backward (Motor 3)



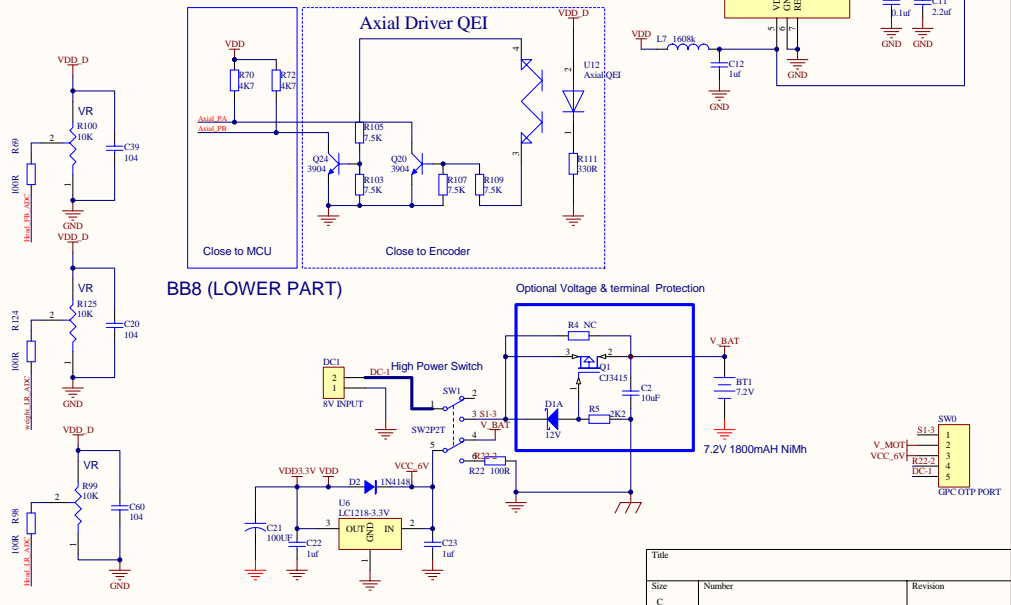
Head Spin (Motor 1)



Head Left Right (Motor 2)

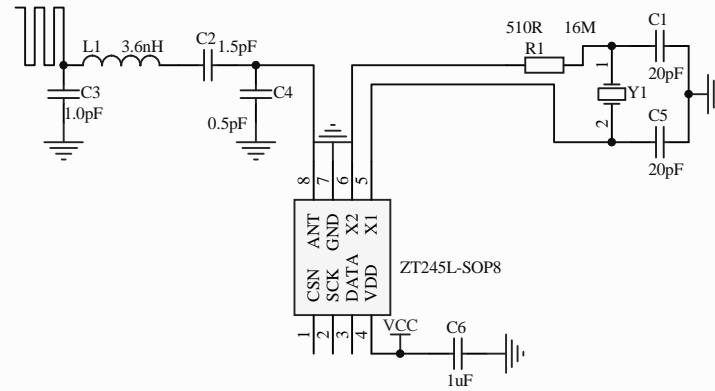


BB8 (LOWER PART)



Title	Number	Revision
C		
Date:	2017/5/12	Sheet of
File:	Esiproducton企業資料_1BB8_Body_EN_V4_Schematic	5

2418-2461MHz



Title		
ITR245L SCH-V1.21		
Size	Number	Revision
A4		
Date:	2016-11-16	Sheet of
File:	I:\copy2\...\ITR245L V1.22.SchDoc	Drawn By: