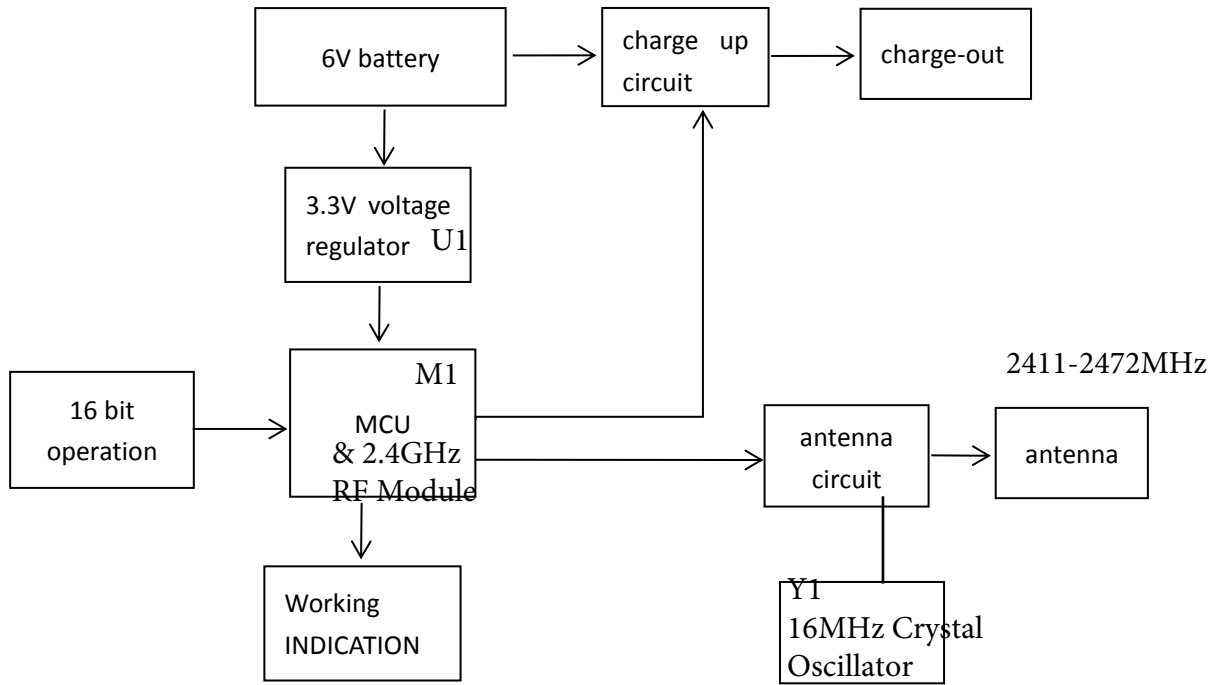


TX Circuit block diagram



1 系统结构方框图 (System Block Diagram)

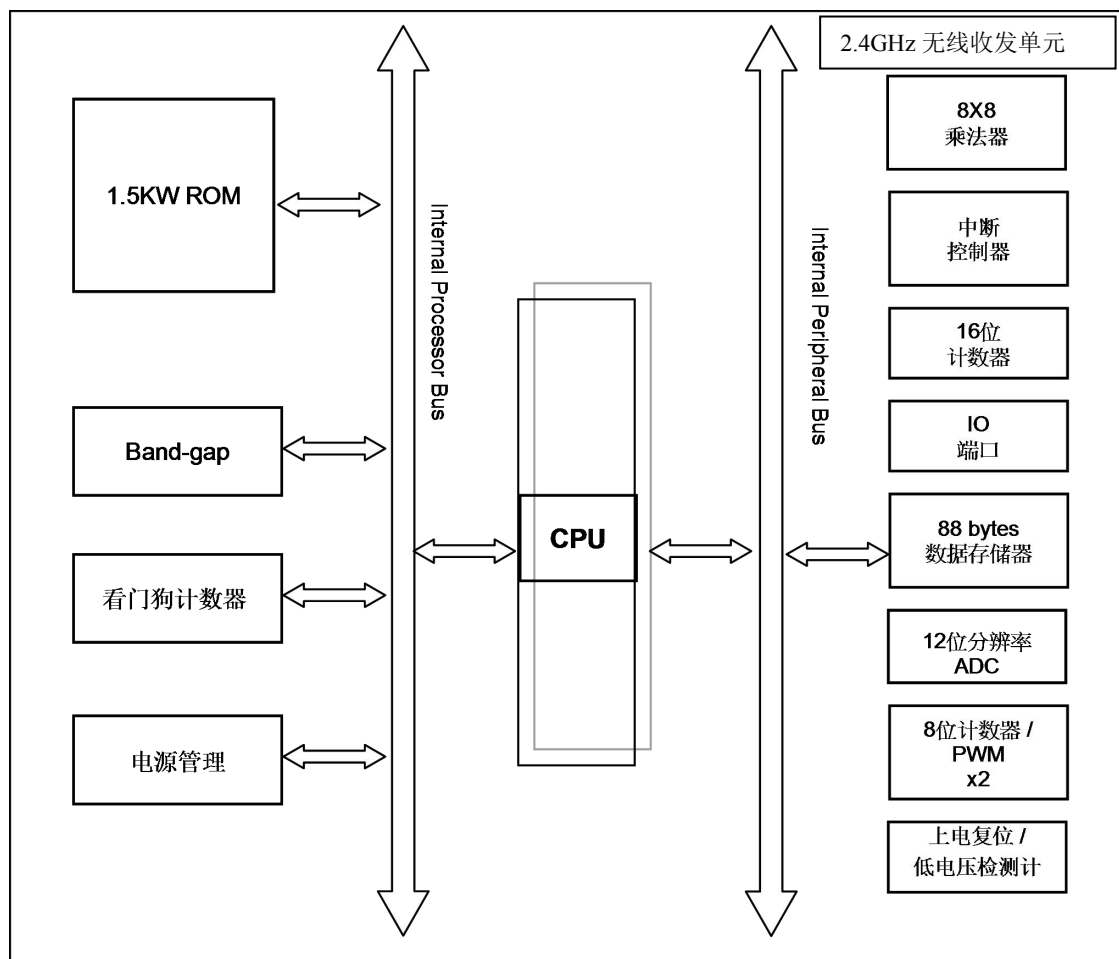


Figure1 HF2404 Chip System Block Diagram

2 引脚定义和说明 (Pin definition and description)

2.1 引脚定义 (Pin definition)

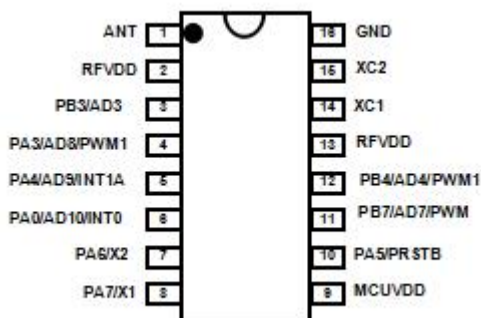


Figure2.1 HF2404 Chip Pin function diagram