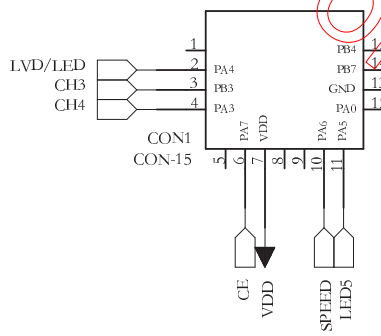
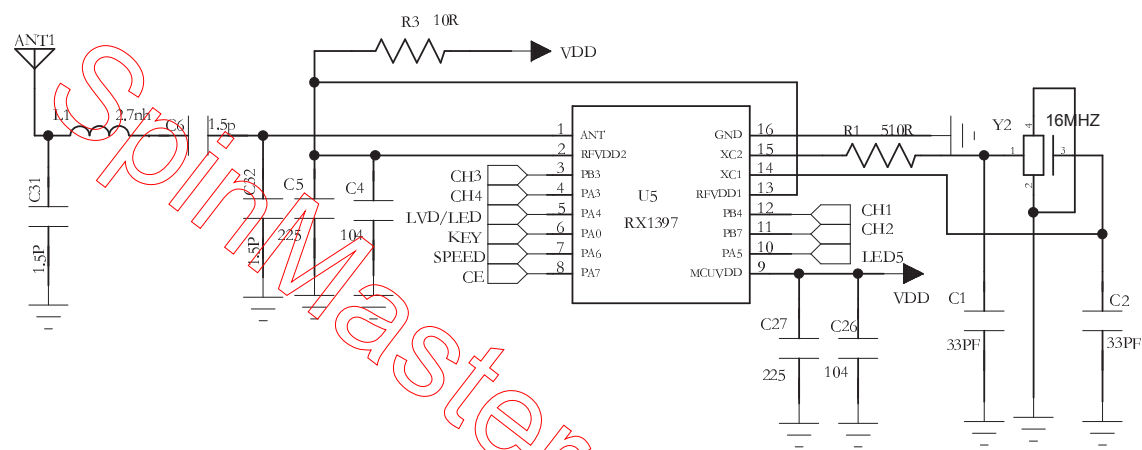
 Spin Master DongGuan Technical Consultancy Servicing Co. Ltd

| | | | | |
|-------------------------|-----------------|-----------------------------|----|--------------|
| Drawing By: Dennis Deng | Date: 23/2/2017 | Title: Helix Micro Drone TX | | |
| Checked By: | Date: | Model NO: T.44615 | | |
| Approved By: | Date: | Size | A4 | 3Sheet 2 of |
| | | | | Revision R03 |

6 5 4 3 2 1



RUIXING TECHNOLOGY CO,LTD
 TEL:0755-25327583 FAX: 0755-83798209
 www.ruixingtech.com sunnyyeung@ruixingtech.com

| | | | |
|---------------|----------|-------------|-----------------------|
| Project Name: | 44615-TX | Project No: | applicant |
| Part Name: | | Prat No: | Drawn By: Liboyi |
| Revision: | 1.0 | Sheet Of: | [1:1] Date: 2017-2-27 |

6 5 4 3 2 1