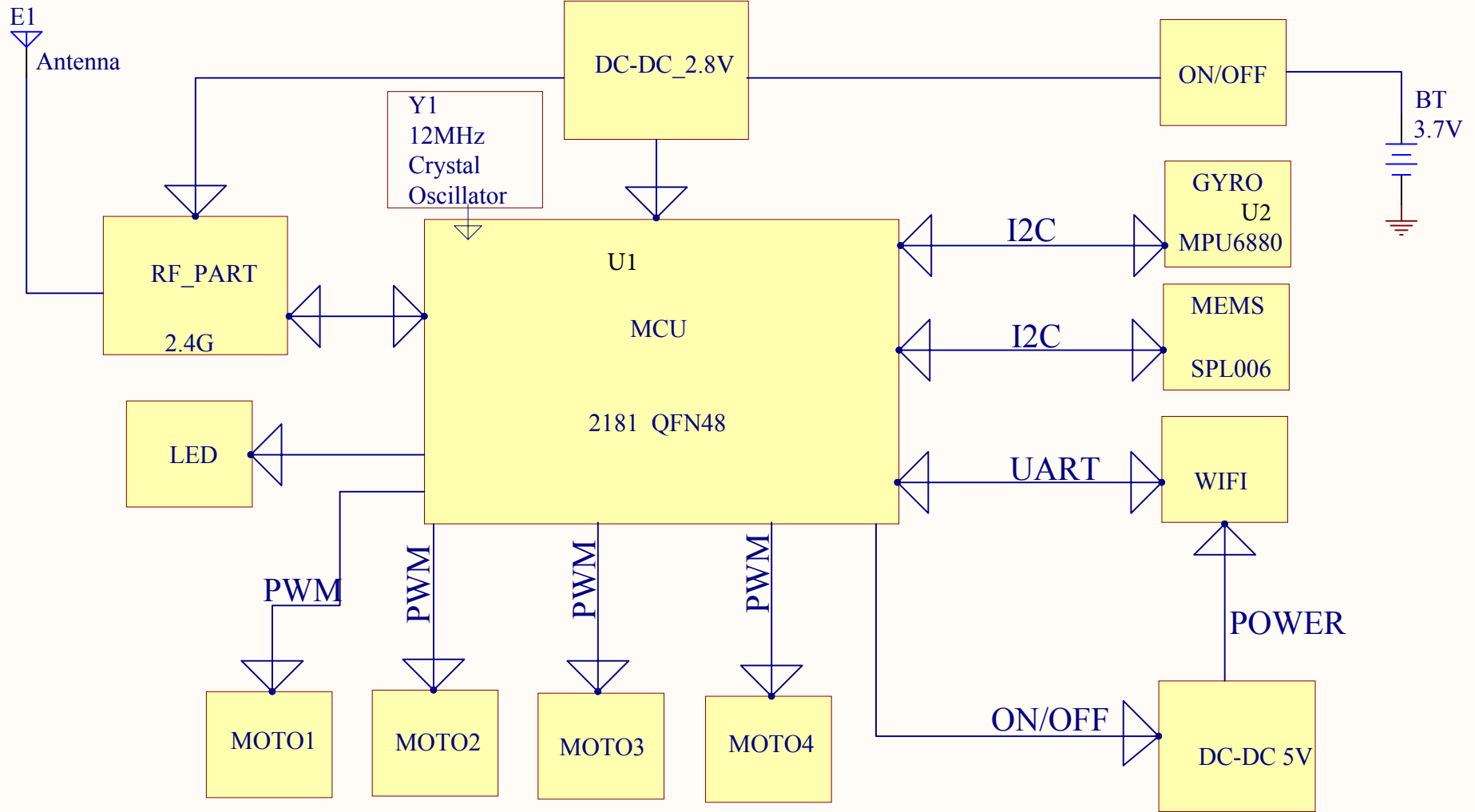


2455-2479MHz



Title		
Size A4	Number	Revision
Date: 2017/3/20	Sheet of	
File: E:\艾文档\WIFI小四轴框架.SCH	Drawn By:	

原理框图

2412-2462MHz

ANT

RF-PART
WIFI
U8

Y2
38.4MHz
Crystal Osc.

U2
MCU
DSP6703

Y1
24MHz
Crystal Osc

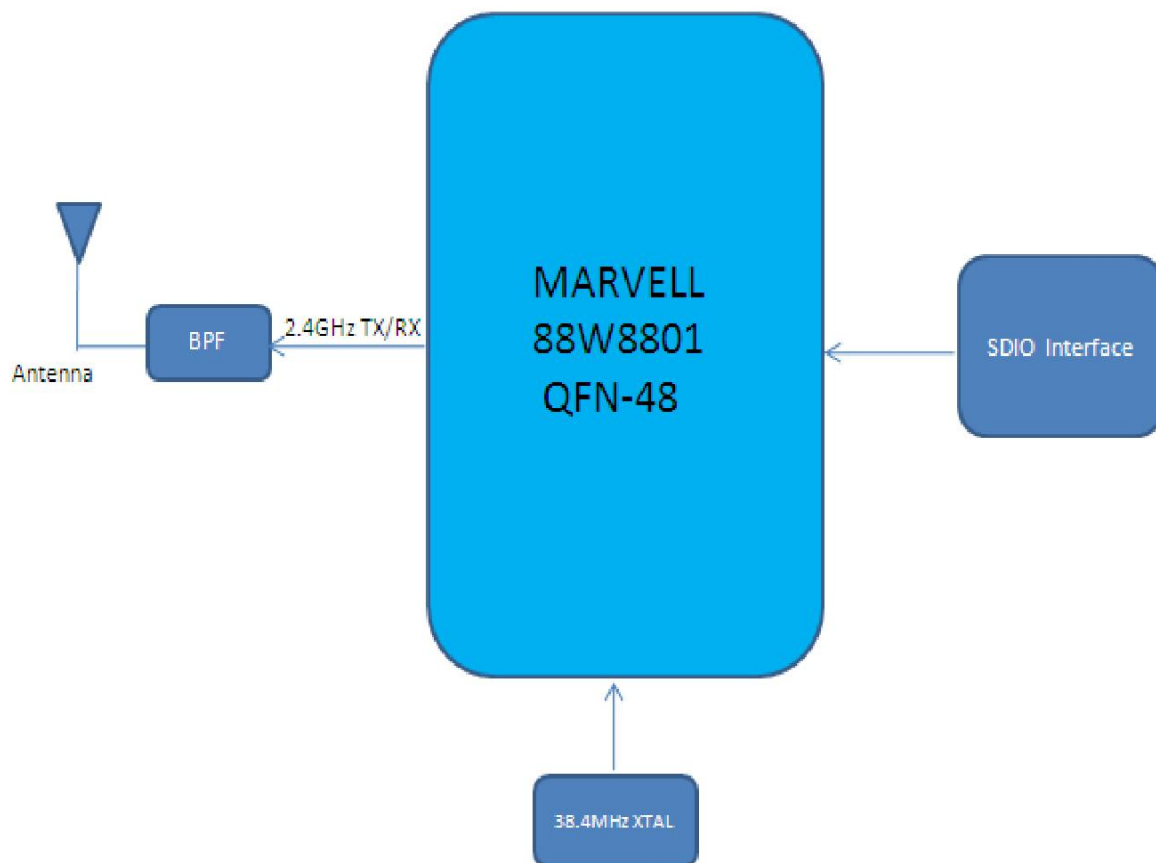
U6
SPI_FLASH

DC-DC_1.2V

VBAT: 2.8V~4.2V
U9

DC-DC_3.3V

SENSER
镜头
U3



3.2 Electrical and Performance Specification

Item	Description
Product Name	BL-R8801MS1
Major Chipset	MARVELL 88W8801
Host Interface	SDIO
Standard	IEEE 802.11b, IEEE 802.11g, IEEE 802.11n,
Frequency Range	2.4GHz~2.4835GHz
Modulation Type	802.11b: CCK, DQPSK, DBPSK 802.11g: 64-QAM, 16-QAM, QPSK, BPSK 802.11n: 64-QAM, 16-QAM, QPSK, BPSK
Working Mode	Infrastructure, Ad-Hoc
Data Transfer Rate	1,2,5.5,6,11,12,18,22,24,30,36,48,54, and maximum of 72.2Mbps
Spread Spectrum	IEEE 802.11b: DSSS (Direct Sequence Spread Spectrum) IEEE 802.11g/n: OFDM (Orthogonal Frequency Division