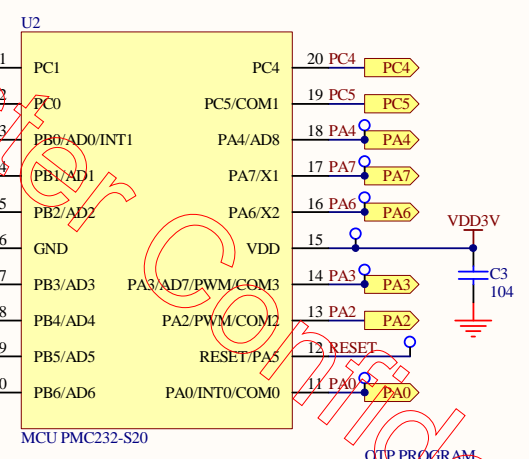
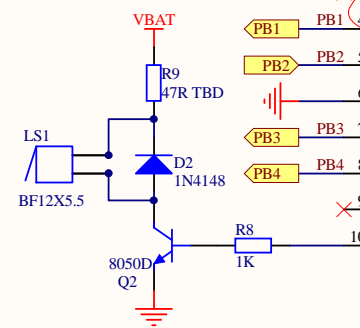
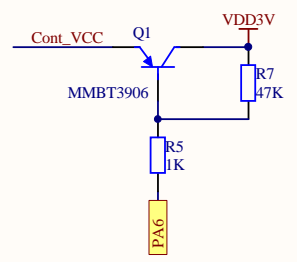
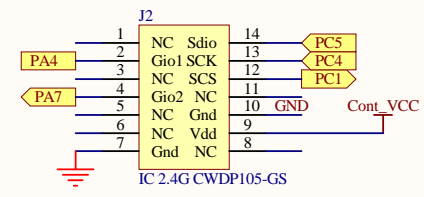
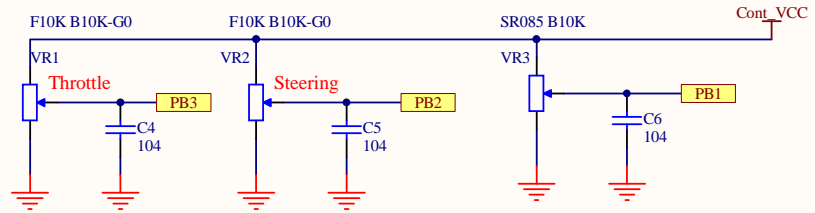


Remark: Fuse should be solder on negative battery terminal.



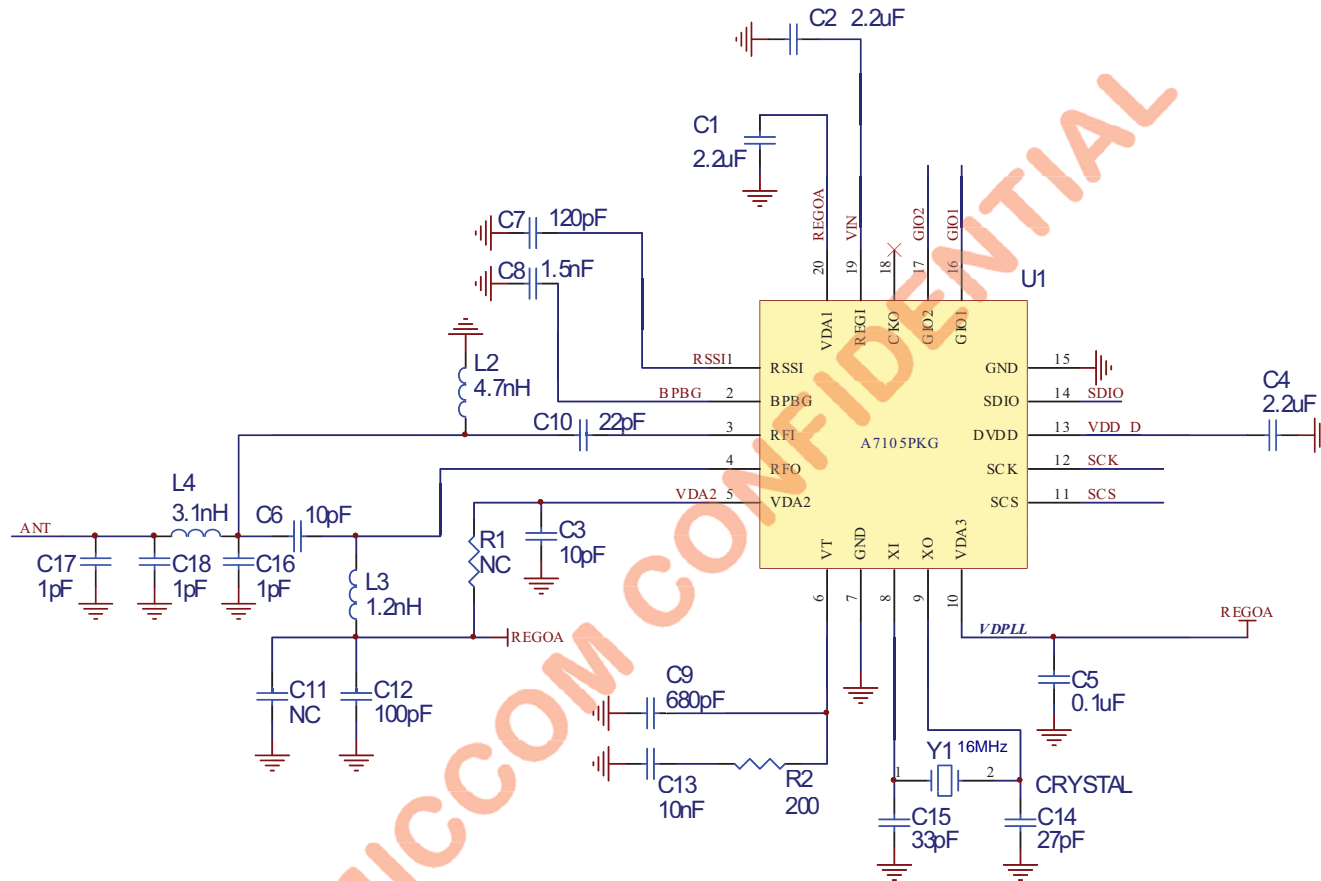
OTP PROGRAM
PA0
PA3
PA4
PA5
PA6
PA7
VDD
GND



Spin Master DongGuan Technical Consultancy Servicing Co. Ltd

Drawing By: Eva Liao	Date: 2016/02/26	Title: Aqua Tank TX		
Checked By:	Date:	Model NO: 44591		
Approved By:	Date:	Size: A3	Sheet: 1 of 3	Revision: R08

J2 2.4G IC



1. A7105 schematic for RF layouts with single ended 50Ω RF output.
2. C14 and C15 must be matched to the crystal's load capacitance (Cl_{oad}). Y1 is a 16MHz crystal with 18 pF Cl_{oad}, max 50ohm ESR and 20 ppm tolerance. Please see application note for detail.