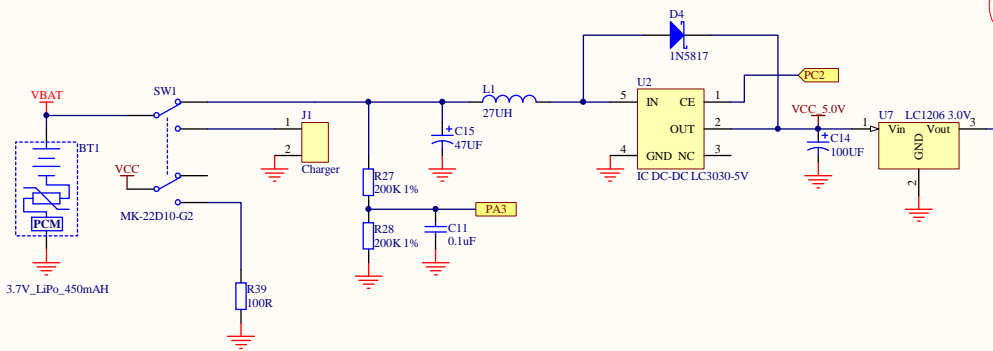
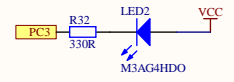
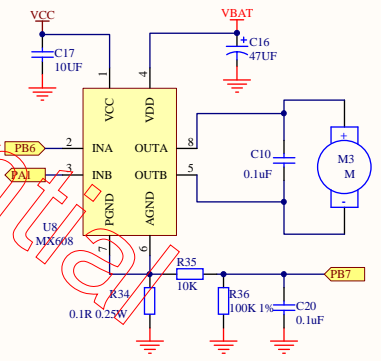
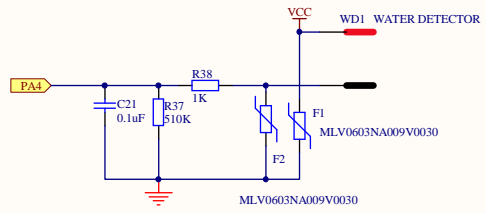


OTP PROGRAM
 PA0
 PA3
 PA4
 PA5
 PA6
 PA7
 VDD
 GND



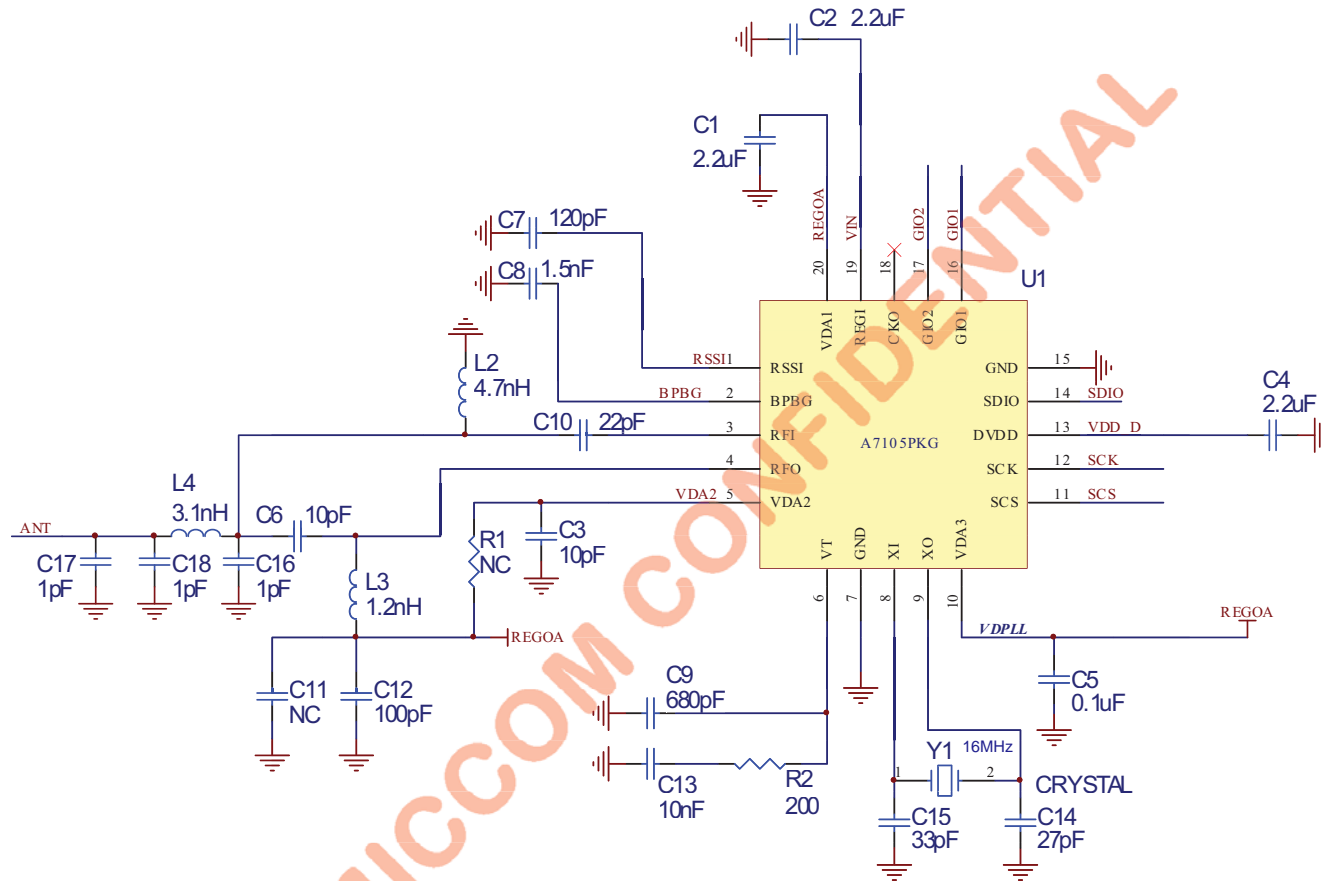
Remark: Cut off voltage 4.2V +/- 0.05V.
 Charge current 450mA +/- 30mA.



**Spin Master DongGuan Technical
 Consultancy Servicing Co. Ltd**

Drawing By: Eva Liao	Date: 2016/01/27	Title: Aqua Tank RX
Checked By:	Date:	Model NO: 44591
Approved By:	Date:	Size: A3
		Sheet 2 of 3
		Revision R08

J2 2.4G IC



1. A7105 schematic for RF layouts with single ended 50Ω RF output.
2. C14 and C15 must be matched to the crystal's load capacitance (Cl_{oad}). Y1 is a 16MHz crystal with 18 pF Cl_{oad}, max 50ohm ESR and 20 ppm tolerance. Please see application note for detail.