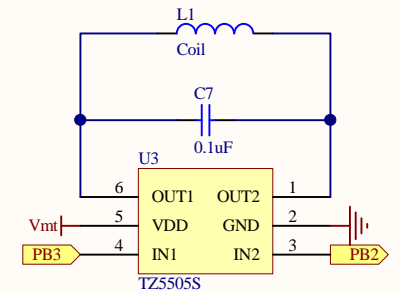
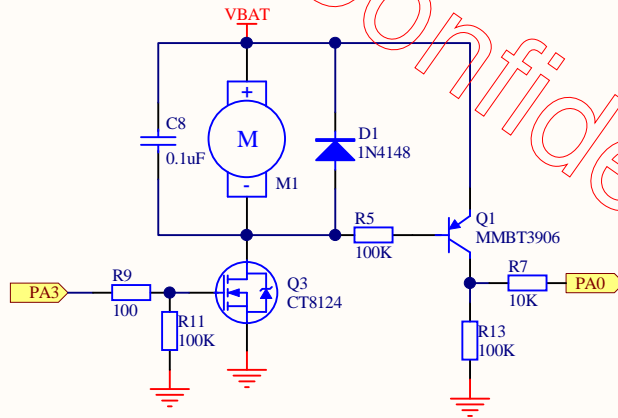
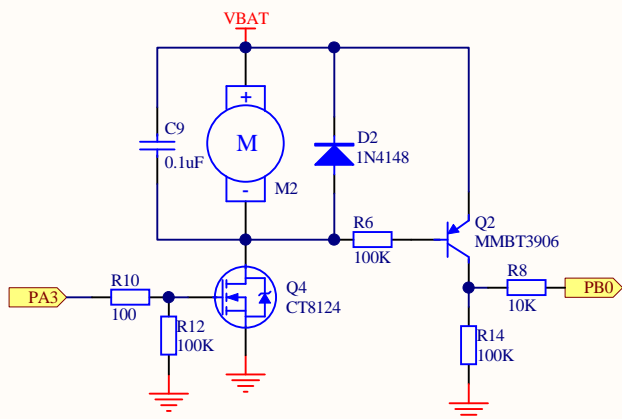


Programming pin list: PA0、PA3、PA4、PA5、PA6、PA7、VDD、GND。



Spin Master DongGuan Technical Consultancy Servicing Co. Ltd

Drawing By: Jonye Hu	Date: 2015-7-17	Title: Star Wars Tie Fighter RX		
Checked By:	Date:	Model NO: 44557		
Approved By:	Date:	Size: A4	Sheet: 1 of 1	Revision: R02

