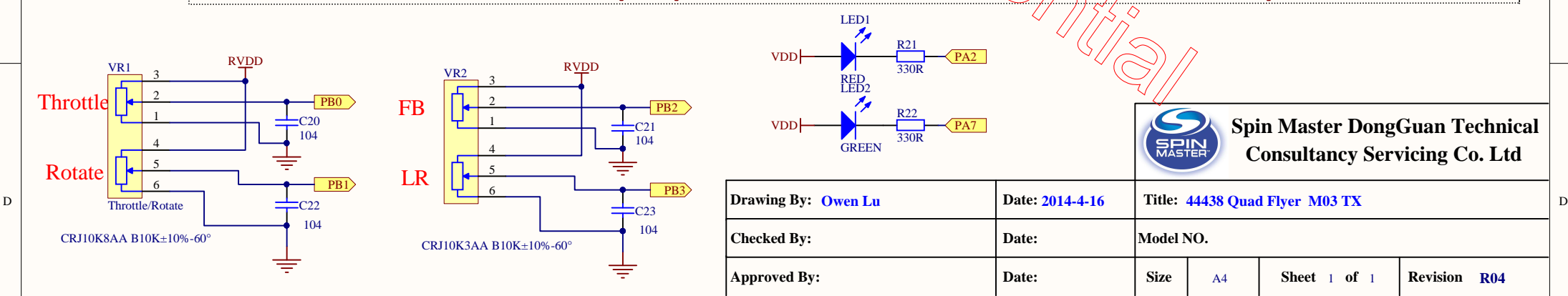
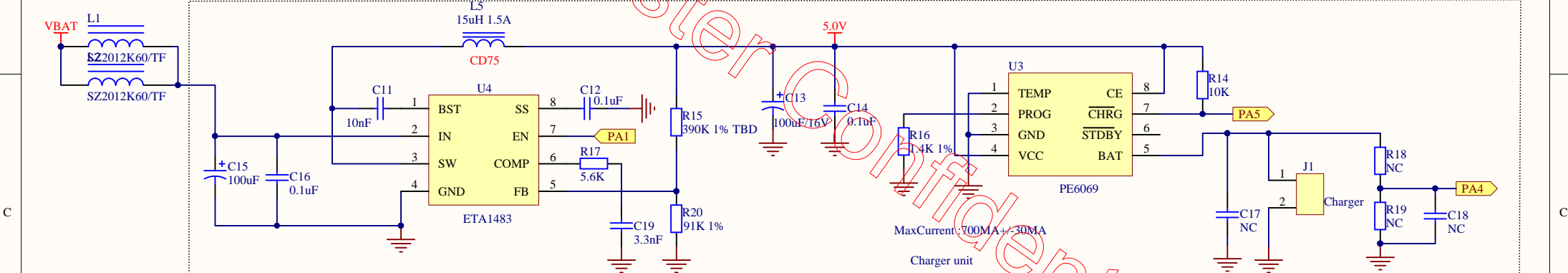
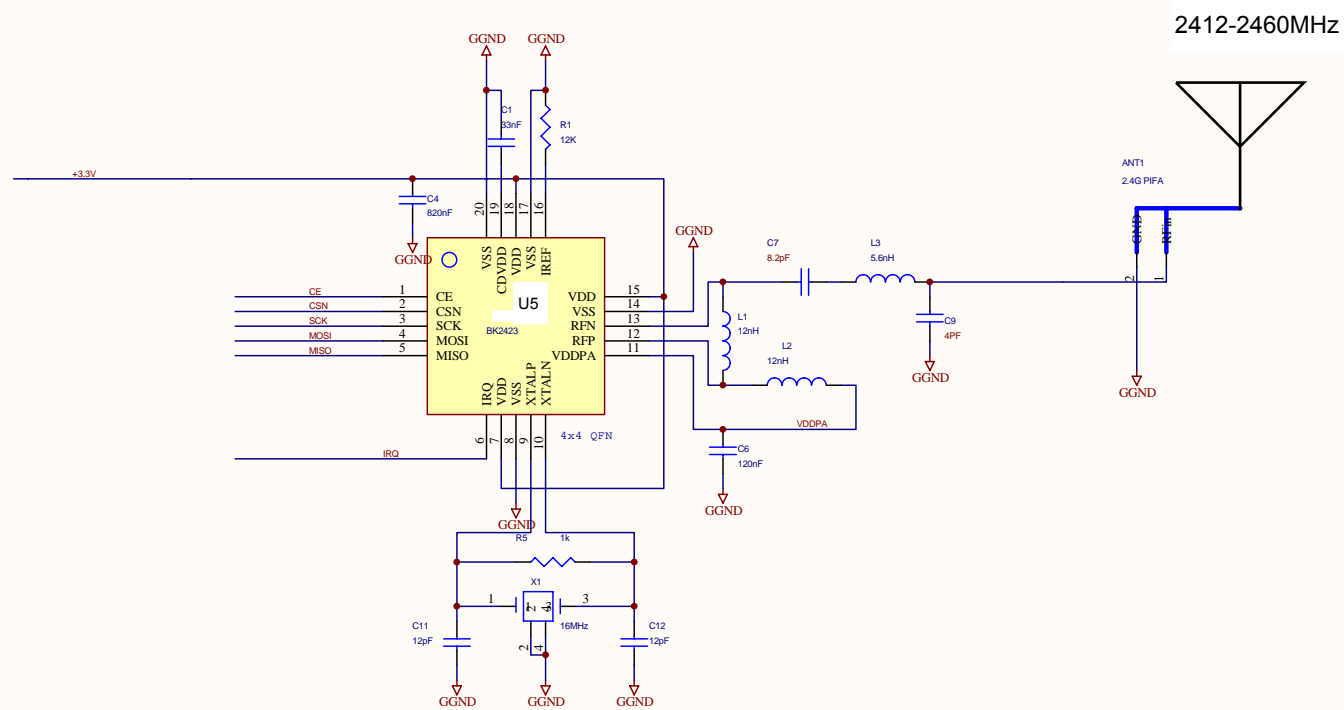


Programming pin list: PA0、PA3、PA4、PA5、PA6、PA7、VDD、GND。



<b>Drawing By:</b> Owen Lu	<b>Date:</b> 2014-4-16	<b>Title:</b> 44438 Quad Flyer M03 TX		
<b>Checked By:</b>	<b>Date:</b>	<b>Model NO.</b>		
<b>Approved By:</b>	<b>Date:</b>	<b>Size</b>	A4	<b>Sheet</b> 1 of 1
				<b>Revision</b> R04



2412-2460MHz

M1  
2.4GHz RF Transceiver Module