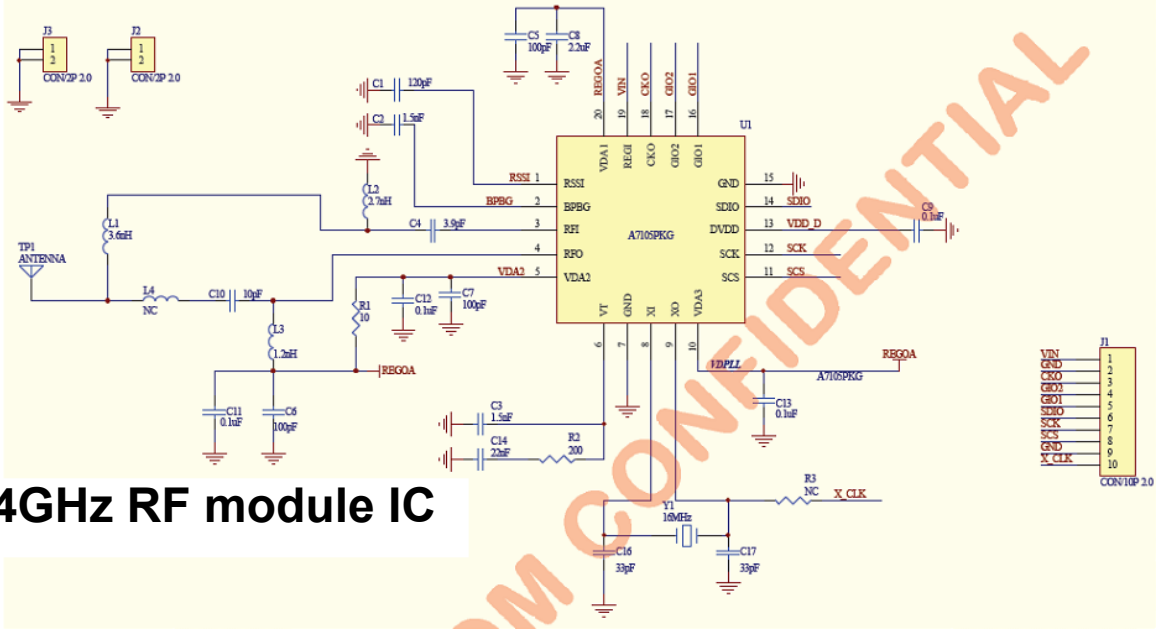


Title			WS #9579
Size	Number	Revision	WS V01
A4	Update: Add C3*, C5*, C11*, CVR* (0.1uF) 20/5/2011		
Date:	2011/6/10	Sheet of	
File:	D:\L羅宇宙\44425-sch.SchDoc	Drawn By:	



2.4GHz RF module IC