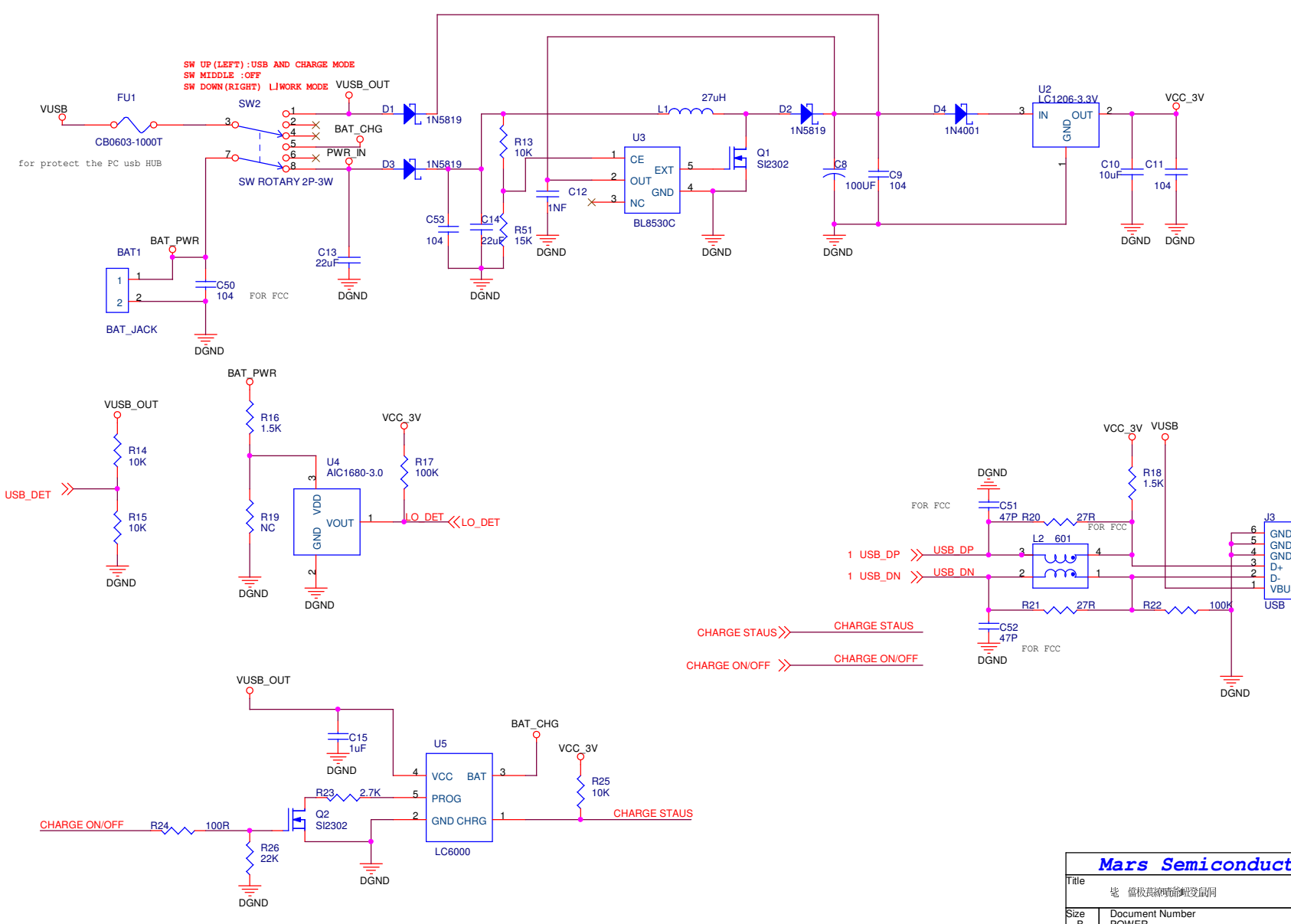


MARS

MR97327AH

U2	U3	LEFT PWM	RIGHT PWM
1	0	6%	6%
1	0	9%	9%
0	0	12%	12%
0	0	3%	3%

Title		塔 橋板英威爾電機控制設備
Size B	Document Number	MAR97327AH
Date:	Friday, July 15, 2011	Sheet 1 of 5



SW UP (LEFT) : USB AND CHARGE MODE
 SW MIDDLE : OFF
 SW DOWN (RIGHT) : WORK MODE

for protect the PC usb HUB

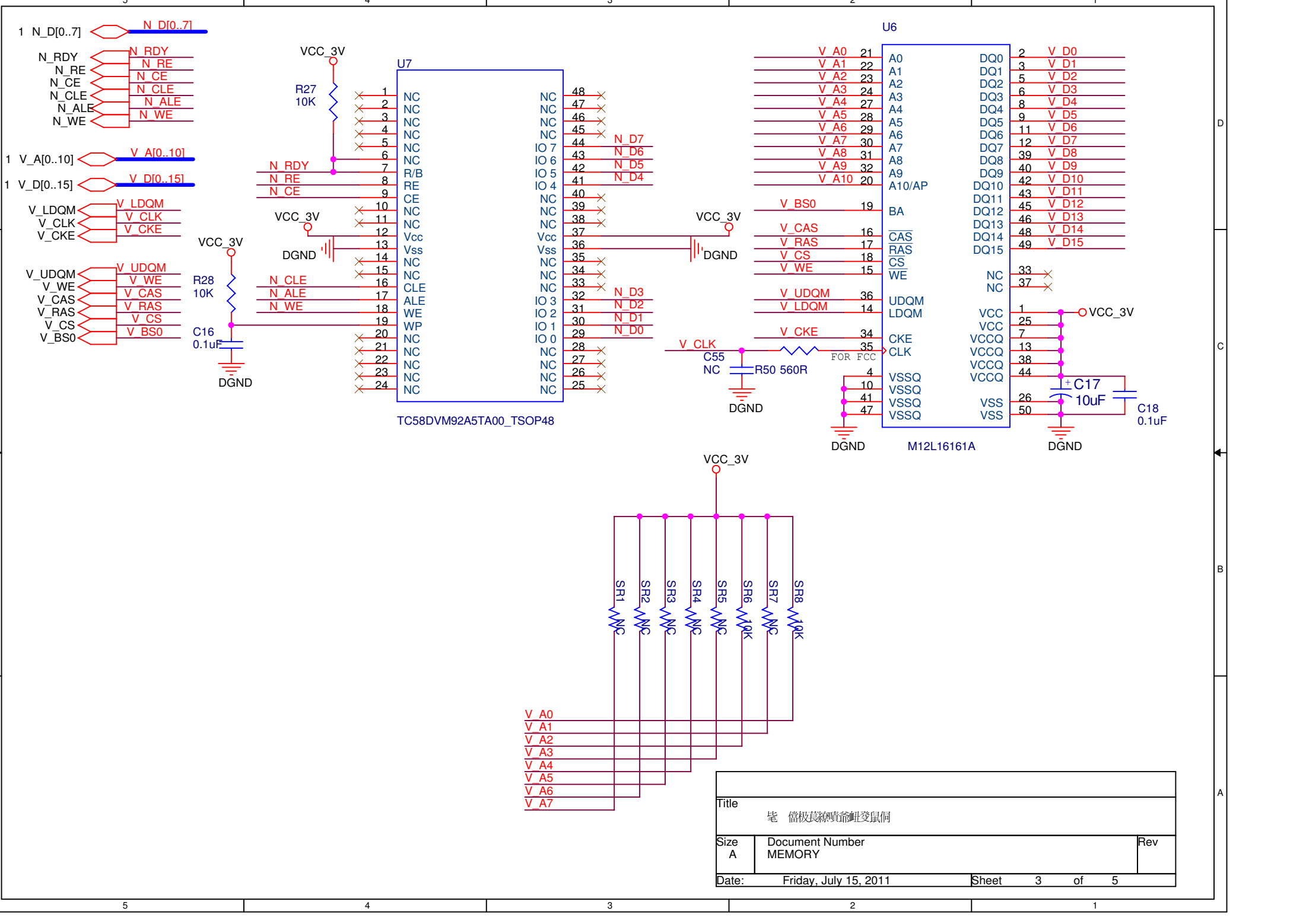
FOR FCC

FOR FCC

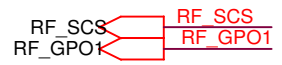
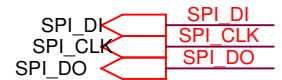
FOR FCC

FOR FCC

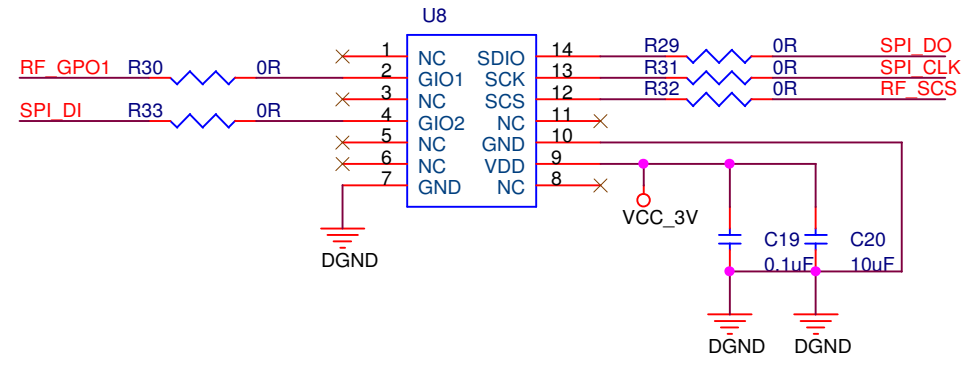
Mars Semiconductor Corporation		
Title	笔 筒板 充电器 电源 控制 电路	
Size	Document Number	Rev
B	POWER	
Date:	Friday, July 15, 2011	Sheet 2 of 5



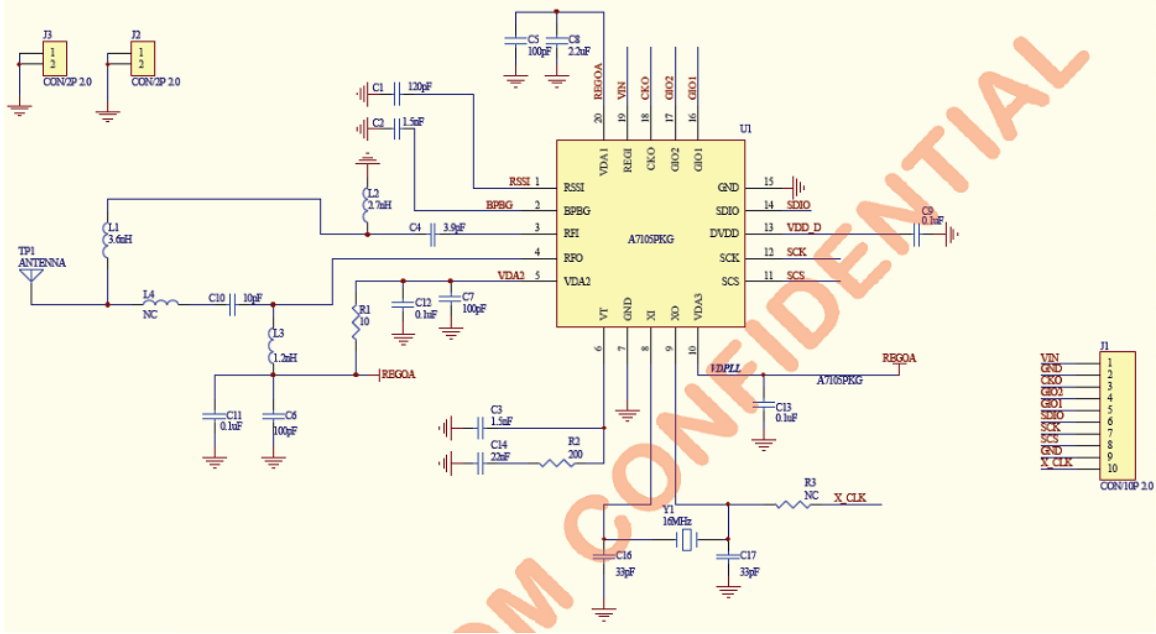
Title		
堃 儲極長線噴命雌變鼠同		
Size	Document Number	Rev
A	MEMORY	
Date:	Friday, July 15, 2011	Sheet 3 of 5



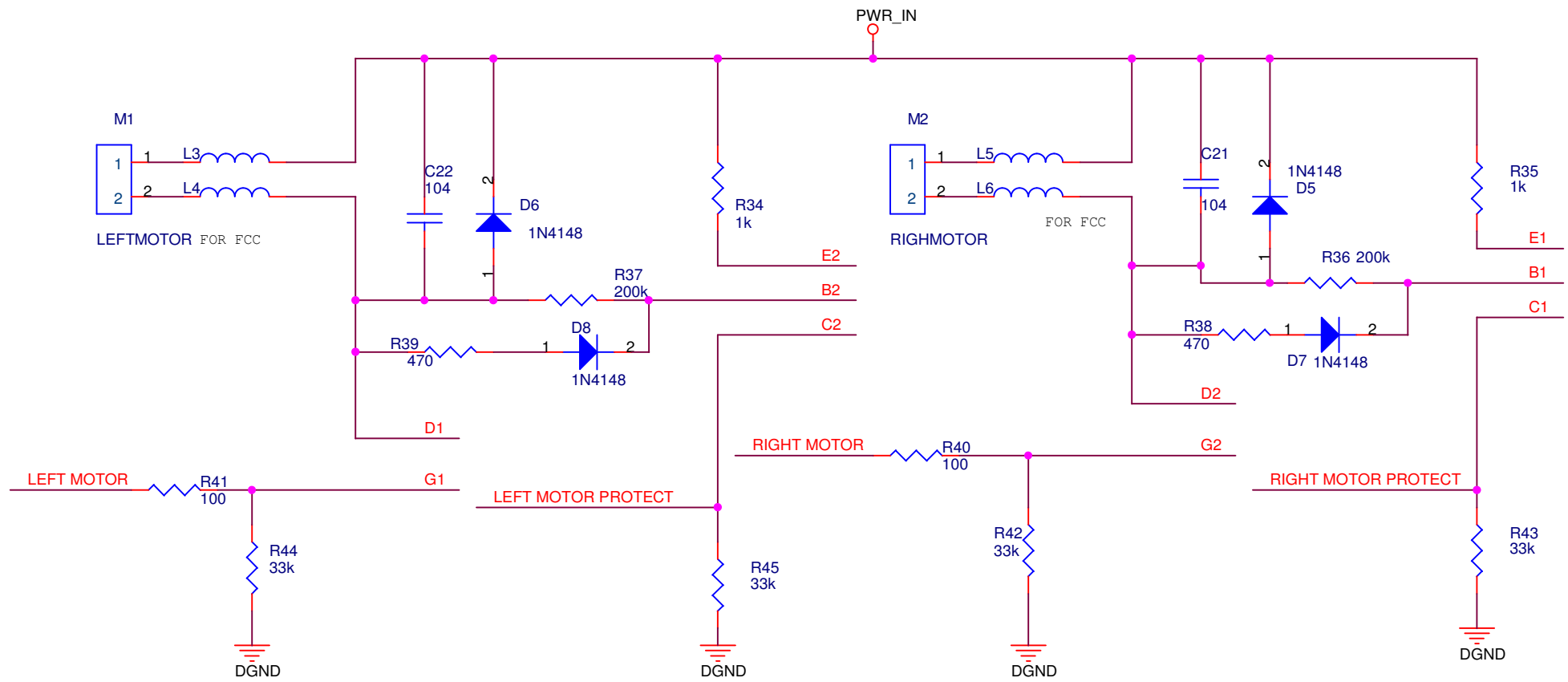
RF Module(CWDP105-GO)



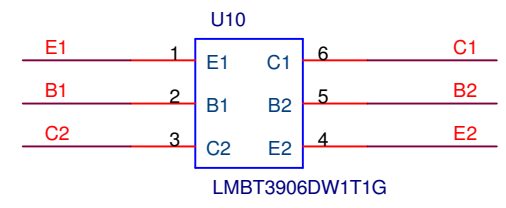
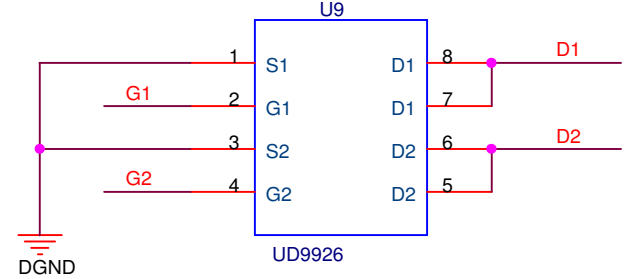
Title		
笔 徽极其绿哪啲咁咁变鼠洞		
Size	Document Number	Rev
A	RF	
Date:	Friday, July 15, 2011	Sheet 4 of 5



The IC (A7105) connection on the RF module



LEFT MOTOR << LEFT MOTOR
 RIGHT MOTOR << RIGHT MOTOR
 LEFT MOTOR PROTECT << LEFT MOTOR PROTECT
 RIGHT MOTOR PROTECT << RIGHT MOTOR PROTECT



Title		
毫 檔板長線噴爺此發鼠洞		
Size	Document Number	Rev
A	motor	
Date:	Friday, July 15, 2011	Sheet 5 of 5

